



SERIES 21 CULTA-WEEDER

Parts Manual



J.E. LOVE COMPANY
LOVE®

309 W. CALIFORNIA STREET
P.O. BOX 188
GARFIELD, WASHINGTON 99130-0188
(509) 635-1321 FAX: (509) 635-1434
www.jeloveco.com

CAUTION

BLOCK SECURELY

Do not place yourself under any equipment suspended hydraulically, with mechanical stops, jacks or hoists, without blocking securely.

Make sure machine *cannot* roll.

Table of Contents

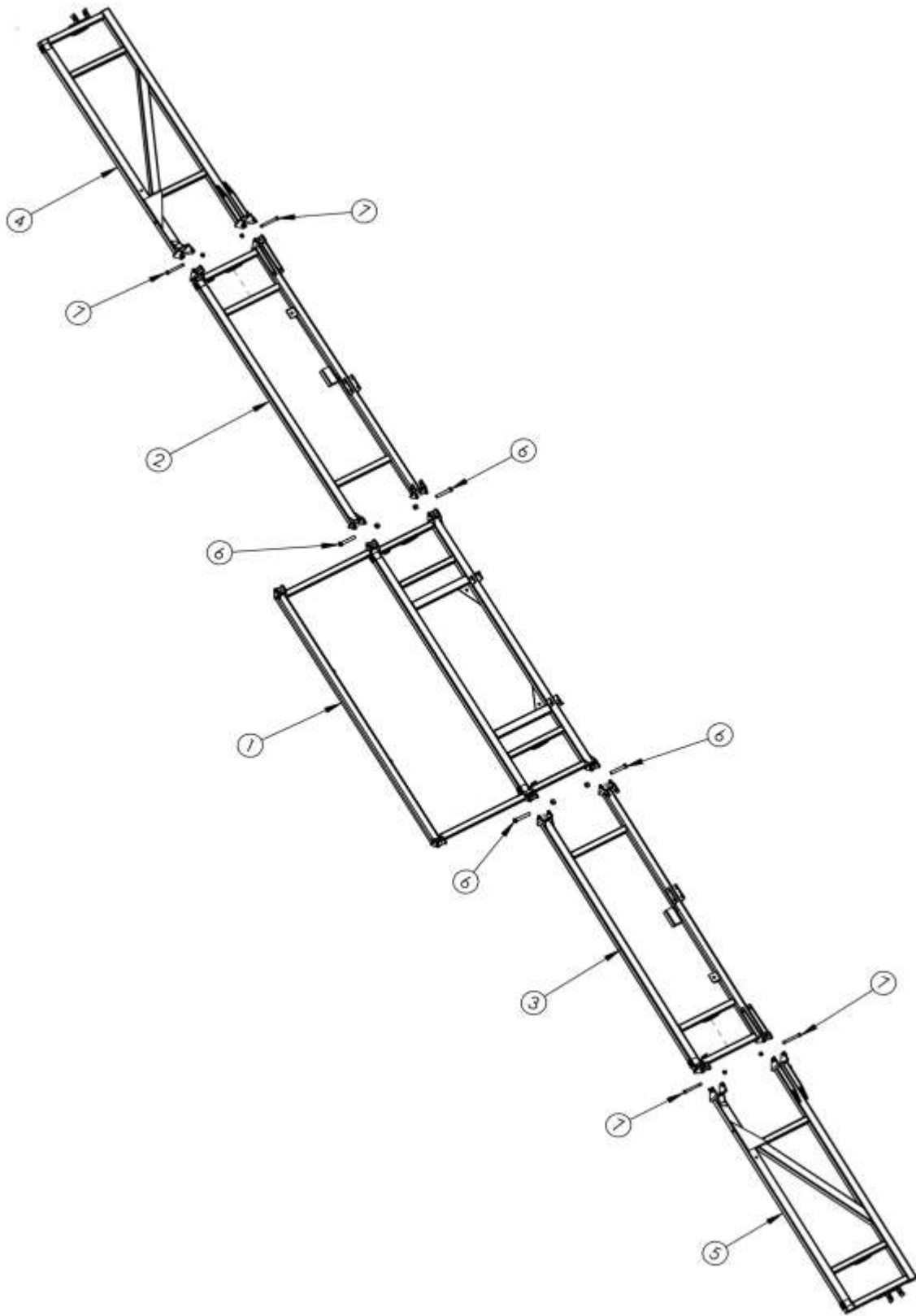
Title	Page
Table of Contents (TOC).....	3
5 Section Layout.....	4
5 Section Components.....	5
Standard Center Frame.....	6
.....	
.....	
.....	
Part number page reference	

Table of Contents

Title	Page
Table of Contents (TOC).....	3
5 Section Layout.....	4
5 Section Components.....	5
Standard Center Frame.....	6
.....	
.....	
.....	
Part number page reference	

Series-21 Frame Layout Overview

[Back to TOC](#)



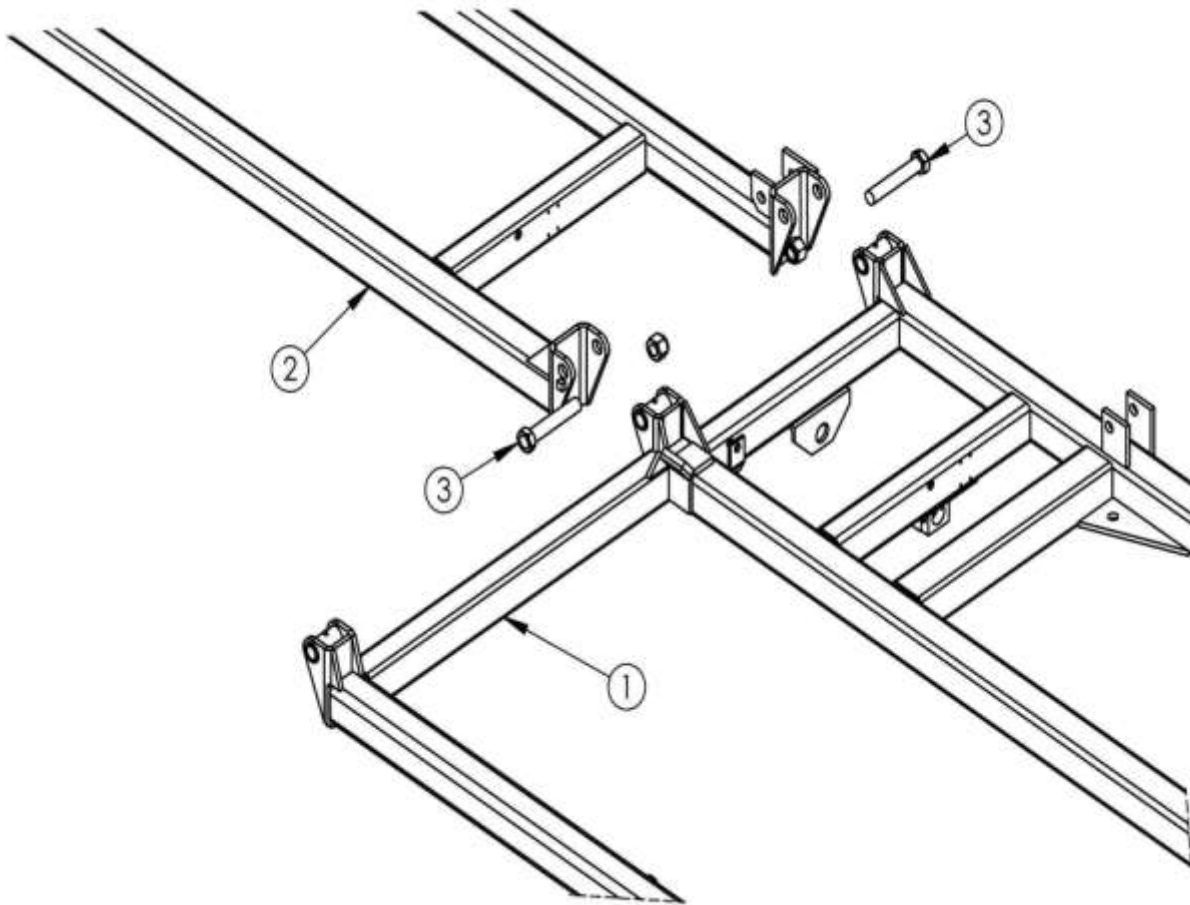
Series-21 Frame Layout Overview

[Back to TOC](#)

Key	Part No.	Description	Qty
1	0415-001	SERIES 21 CENTER FRAME	1
2	0410-028	INNER WING FRAME, 12' (RH)	1
	0410-091	INNER WING FRAME, 10-1/2' RH	
3	0410-027	INNER WING FRAME, 12' (LH)	1
	0410-092	INNER WING FRAME, 10-1/2' LH	
4	0410-132	OUTER WING FRAME, 7' (RH)	1
	0410-026	OUTER WING FRAME, 12' (RH)	
5	0410-131	OUTER WING FRAME, 7' (LH)	1
	0410-025	OUTER WING FRAME, 12' (LH)	
6	8116-032	BOLT, 1-1/4" NC X 7", w/7717-255 NYLOCK	4
7	8116-046	BOLT, 1" NC X 7-7/8", w/7726-012 NYLOCK	4
FORM 1115-0845			

Center Frame to Inner Wing Detail (RH View)

[Back to TOC](#)

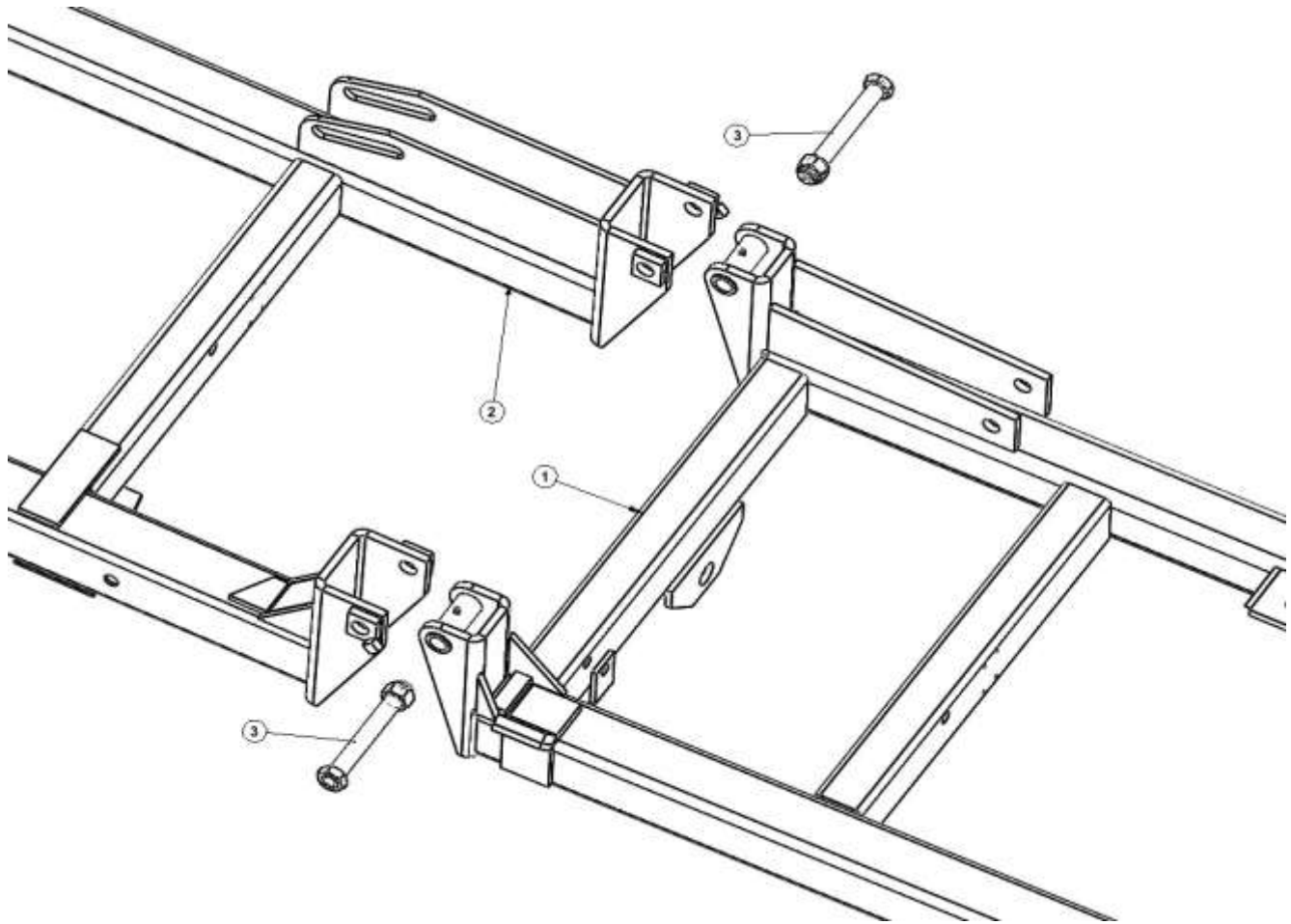


Key	Part No.	Description	Qty
1	0415-001	SERIES 21 CENTER FRAME	1
2	0410-028	INNER WING FRAME, 12' (RH)	1
	0410-091	INNER WING FRAME, 10-1/2' RH	
	0410-027	INNER WING FRAME, 12' (LH)	
	0410-092	INNER WING FRAME, 10-1/2' LH	
3	8116-032	BOLT, 1-1/4" NC X 7", w/7717-255 NYLOCK	4

FORM mmyy-xxxx

Inner Frame to Outer Frame Detail

[Back to TOC](#)

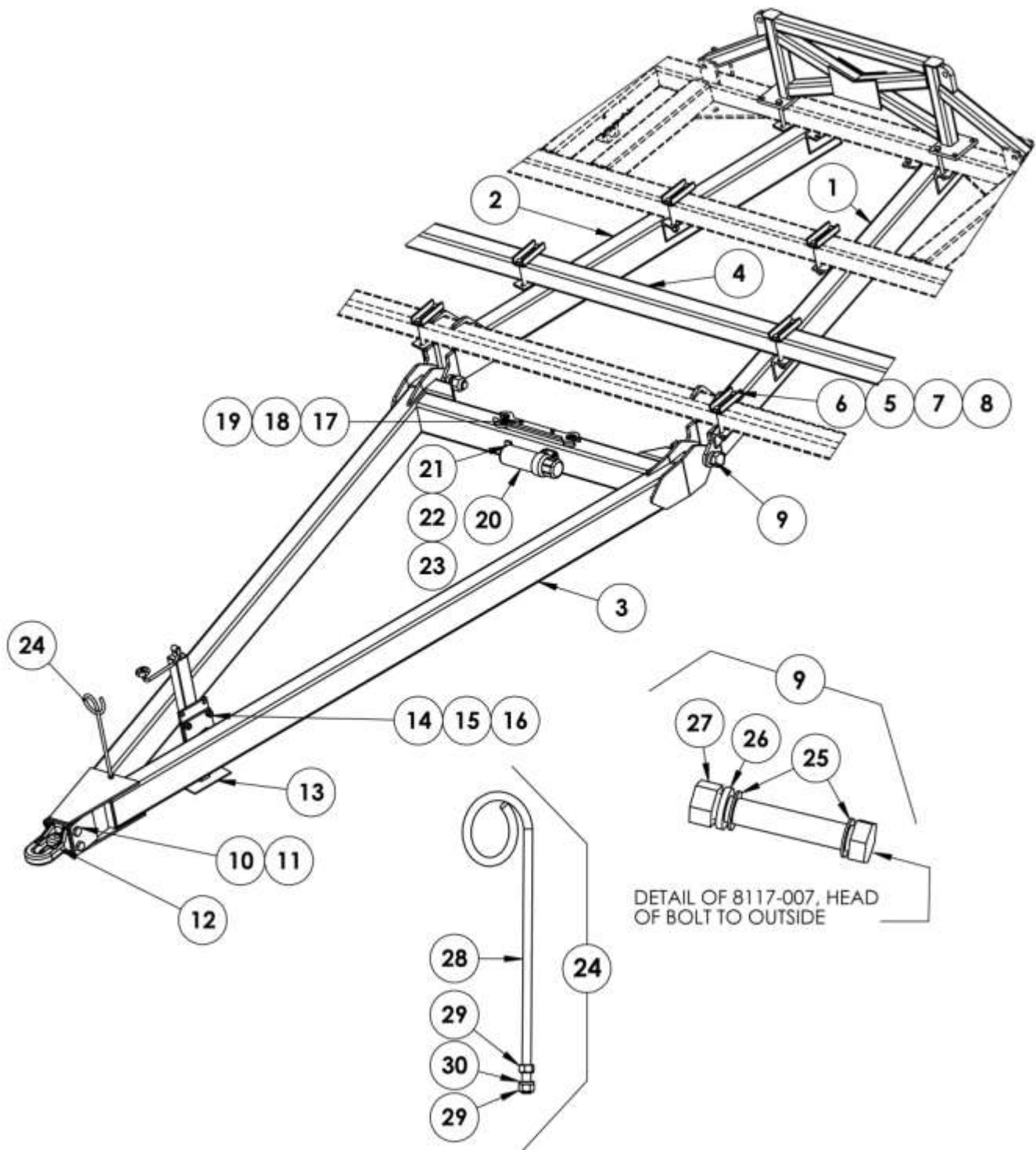


Key	Part No.	Description	Qty
1	0410-028	INNER WING FRAME, 12' (RH)	1
	0410-027	INNER WING FRAME, 12' (LH)	
	0410-091	INNER WING FRAME, 10-1/2' RH	
	0410-092	INNER WING FRAME, 10-1/2' LH	
2	0410-025	OUTER WING FRAME, 12' (LH)	1
	0410-026	OUTER WING FRAME, 12' (RH)	
	0410-131	OUTER WING FRAME, 7' (LH)	
	0410-132	OUTER WING FRAME, 7' (RH)	
3	8116-046	BOLT, 1" NC X 7-7/8", w/7726-012 NYLOCK	4

FORM mmyy-xxxx

Floating Tongue Layout And Components

[Back to TOC](#)



Floating Tongue Layout And Components

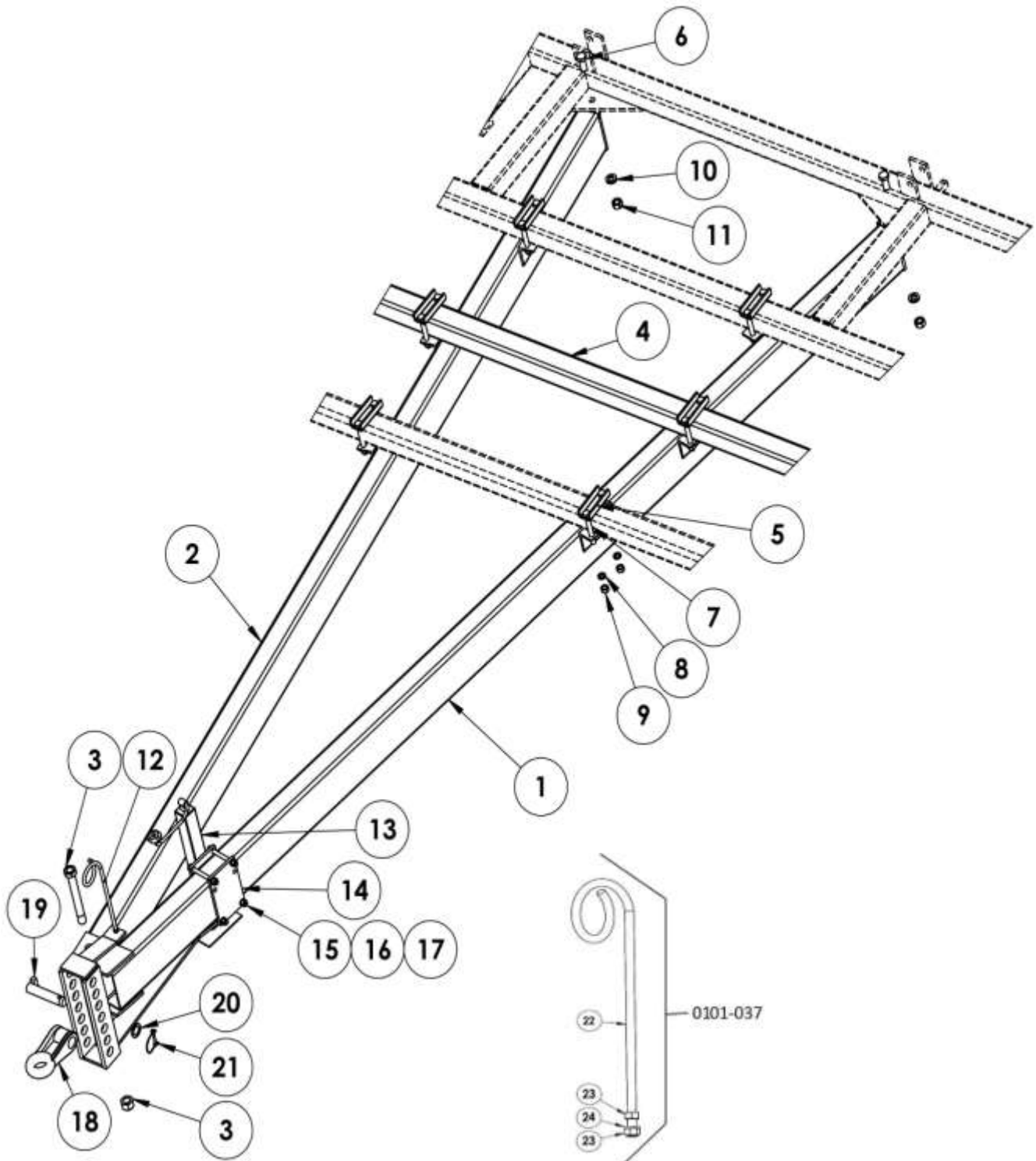
[Back to TOC](#)

Key	Part No.	Description	Qty
1	0415-727	MAIN FRAME TONGUE, LH	1
2	0415-728	MAIN FRAME TONGUE, RH	1
3	0415-745	FLOATING TONGUE	1
4	0415-083	TUBE, MID SHANK	1
5	0206-031	CLAMP PLATE	6
6	7115-076	CAP SCREW, 3/4 NC X 6	12
7	7845-020	LOCK WASHER, 3/4"	12
8	7725-002	HEX NUT, 3/4 NC	12
9	8117-007	BOLT, 1-1/2 NC X 9-1/2 w/HARDWARE	2
10	7116-070	CAP SCREW, 1 NC X 7	2
11	7726-012	LOCK NUT, NYLOCK, 1 NC	2
12	5929-010	BASE HITCH	1
13	6329-055	TOPWIND TONGUE JACK	1
14	7114-006	CAP SCREW, 5/8 NC X 1-3/4	4
15	7844-020	LOCK WASHER, 5/8	4
16	7724-005	HEX NUT, 5/8 NC	4
17	7112-060	CAP SCREW, 3/8 NC X 1-1/2	2
18	7842-010	LOCK WASHER, 3/8	2
19	0415-300	WRENCH, WING BOGGIE	2
20	9499-001	OPERATOR MANUAL CANISTER	1
21	7111-007	CAP SCREW, 1/4NC X 3/4	3
22	7841-010	LOCK WASHER, 1/4	3
23	7811-010	FLAT WASHER 1/4	3
24	0101-037	HYDRAULIC HOSE MAST ASSY	1
25	7896-500P	MACH. BUSHING, 1-1/2 10GA NR (PLATED)	2
26	7846-040	LOCK WASHER, 1-1/2	1
27	7717-554	HEX NUT, 1-1/2 NC (GR-2)	1
28	0106-211	HYDRAULIC HOSE MAST	1
29	7723-015	HEX NUT, 1/2 NC	2
30	7843-015	LOCK WASHER, 1/2	3

FORM mmyy-xxxx

Fixed Tongue Layout And Components

[Back to TOC](#)



Fixed Tongue Layout And Components

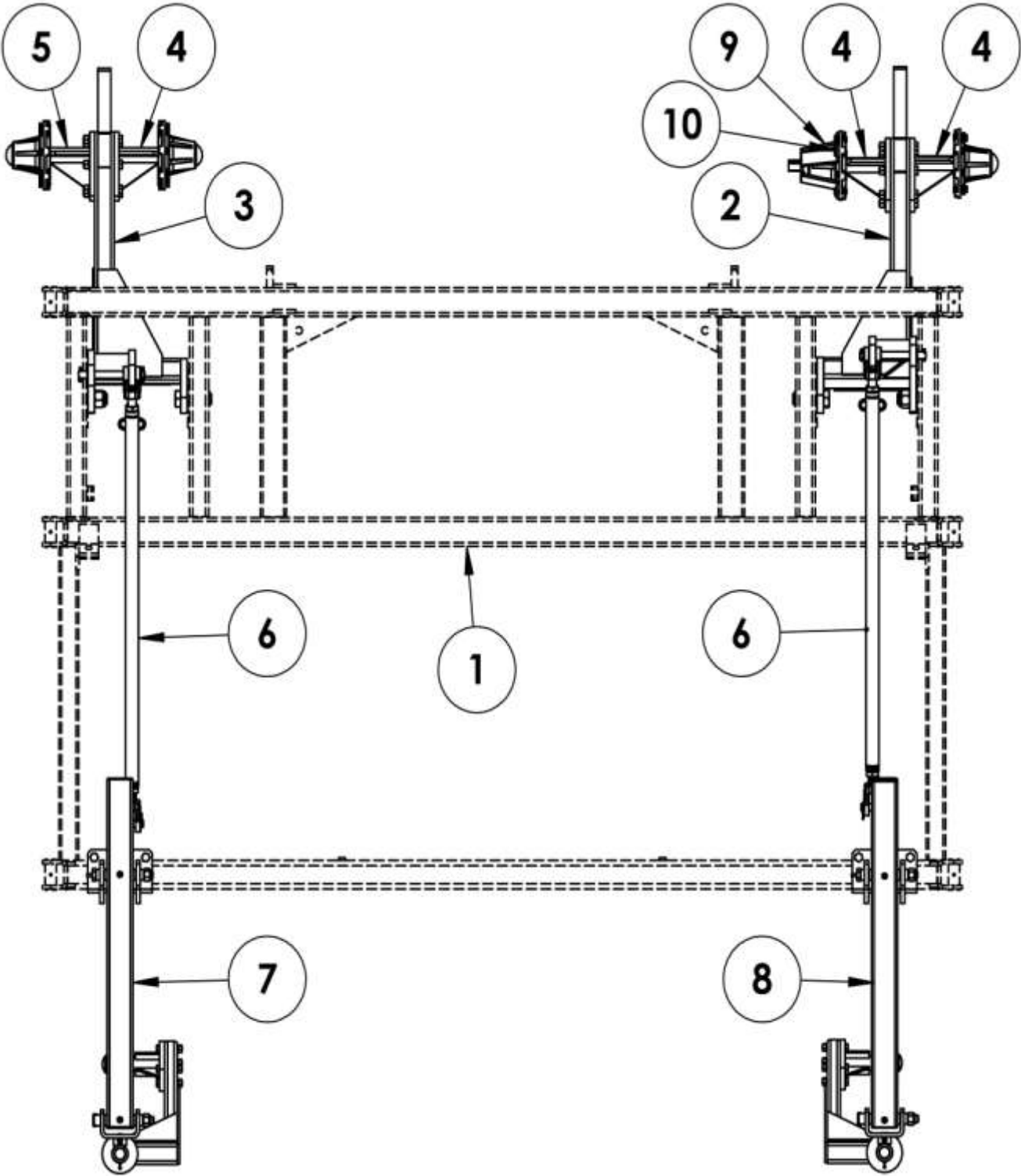
[Back to TOC](#)

Key	Part No.	Description	Qty
1	0415-013	TONGUE, LH	1
2	0415-014	TONGUE, RH	1
3	8116-006	BOLT, 1-1/4 NC X 10-1/2 W/7717-255 NYLOCK	1
4	0415-083	TUBE, MID SHANK	1
5	0206-031	CLAMP PLATE	6
6	7116-025	CAP SCREW, 1 NC X 2-1/2	2
7	7115-076	CAP SCREW, 3/4 NC X 6	12
8	7845-020	LOCK WASHER, 3/4"	12
9	7725-002	HEX NUT, 3/4 NC	12
10	7846-020	LOCK WASHER, 1	2
11	7726-005	HEX NUT, 1 NC	2
12	0101-037	HYDRAULIC HOSE MAST ASSY	1
13	6329-055	TOPWIND TONGUE JACK	1
14	0400-088	BACKING PLATE FOR 6 & 8 SPAN	1
15	7114-060	CAP SCREW, 5/8 NC X 6	4
16	7844-020	LOCK WASHER, 5/8	4
17	7724-005	HEX NUT, 5/8 NC	4
18	5919-900	TONGUE FLAPPER, CAST	1
19	8036-025	PIN, TONGUE FLAPPER	1
20	7896-500P	MACH. BUSHING, 1-1/2 10GA NR (PLATED)	1
21	7920-010	DRIVELINE LOCK PIN, 5/16 X 2 5/16 X 2-3/4	1
22	0106-211	HYDRAULIC HOSE MAST	1
23	7723-015	HEX NUT, 1/2 NC	2
24	7843-015	LOCK WASHER, 1/2	1

FORM mmyy-xxxx

Center Frame Wheel Overview

[Back to TOC](#)



Center Frame Wheel Overview

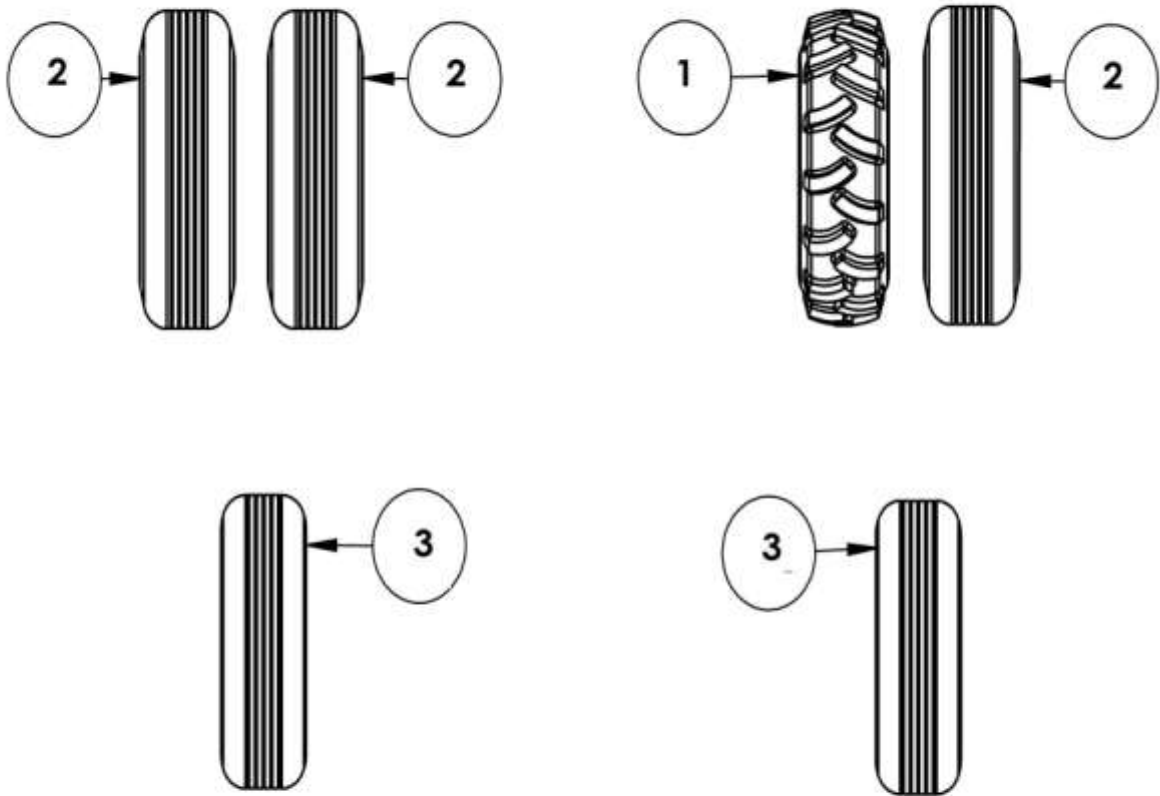
[Back to TOC](#)

Key	Part No.	Description	Qty
1	0415-001	SERIES 21 CENTER FRAME	1
2	0415-223	WHEEL LEG, LEFT	1
3	0415-224	WHEEL LEG, RRIGHT	1
4	0410-381	SPINDLE PLATFORM ASSY HD, LH	3
5	0410-382	SPINDLE PLATFORM ASSY HD, RH	1
6	0415-739	DRAG LINK	2
7	0415-742	CENTER FRAME CASTER LEG, (RH)	1
8	0415-741	CENTER FRAME CASTER LEG, (LH)	1
9	0410-167	DRIVE BASKET, HEAVY DUTY (8-BOLT HUB)	1
10	7113-256	CAP SCREW, 9/16 NF X 1-3/4	3

FORM mmyy-xxxx

Center Frame Tires & Wheels

[Back to TOC](#)



Center Frame Tires & Wheels

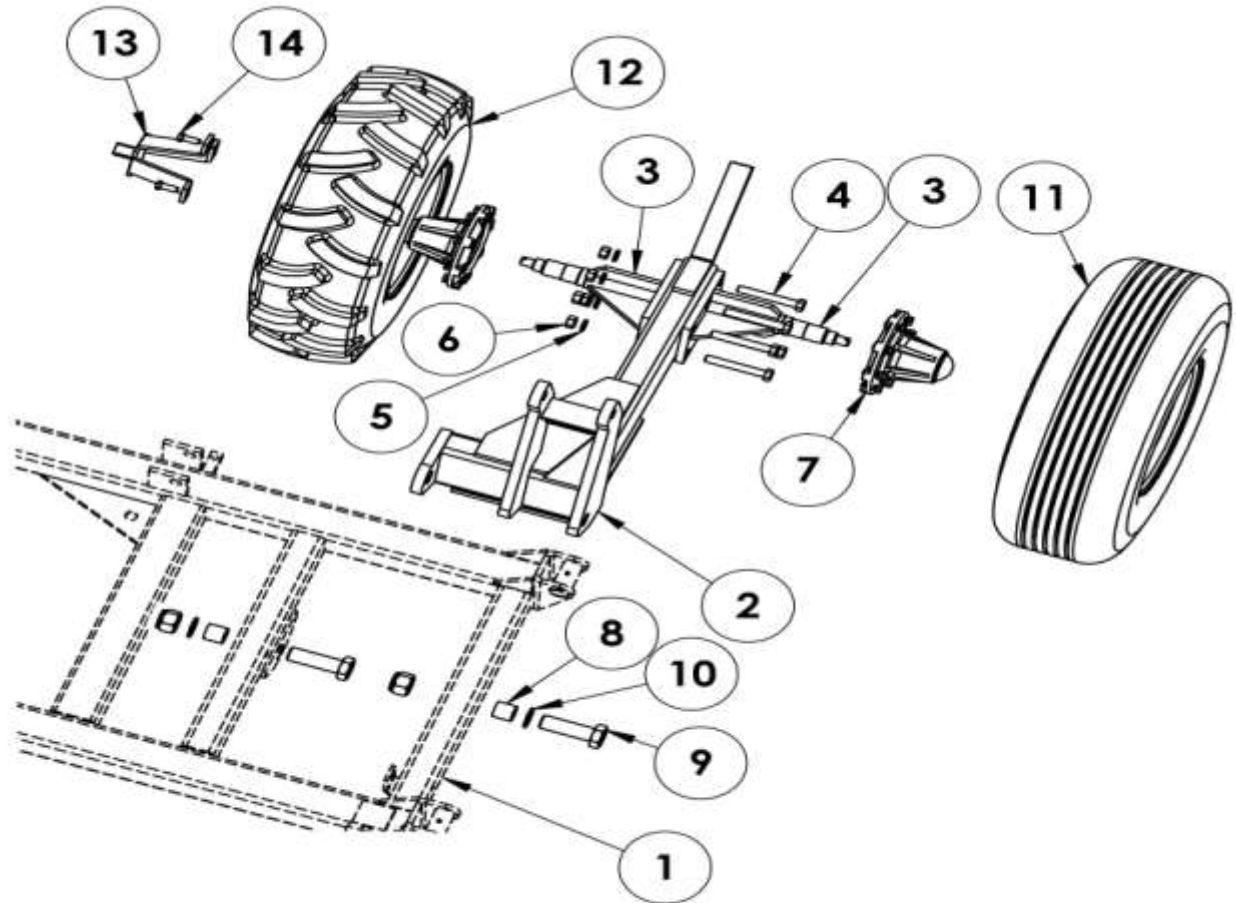
[Back to TOC](#)

Key	Part No.	Description	Qty
1	5639-034	TIRE & WHEEL, 12.5Lx15 12PLY 8-BOLT TRACT'N (RH)	1
2	5639-037	TIRE & WHEEL, 12.5Lx15 12PLY 8-BOLT RIBBED IMPLEMENT	3
3	5639-027	TIRE & WHEEL, 11Lx15 8-PLY, 6-BOLT RIBBED IMPLEMENT	2

FORM mmyy-xxxx

CW Main Wheel Leg (LH)

[Back to TOC](#)



CW Main Wheel Leg (LH)

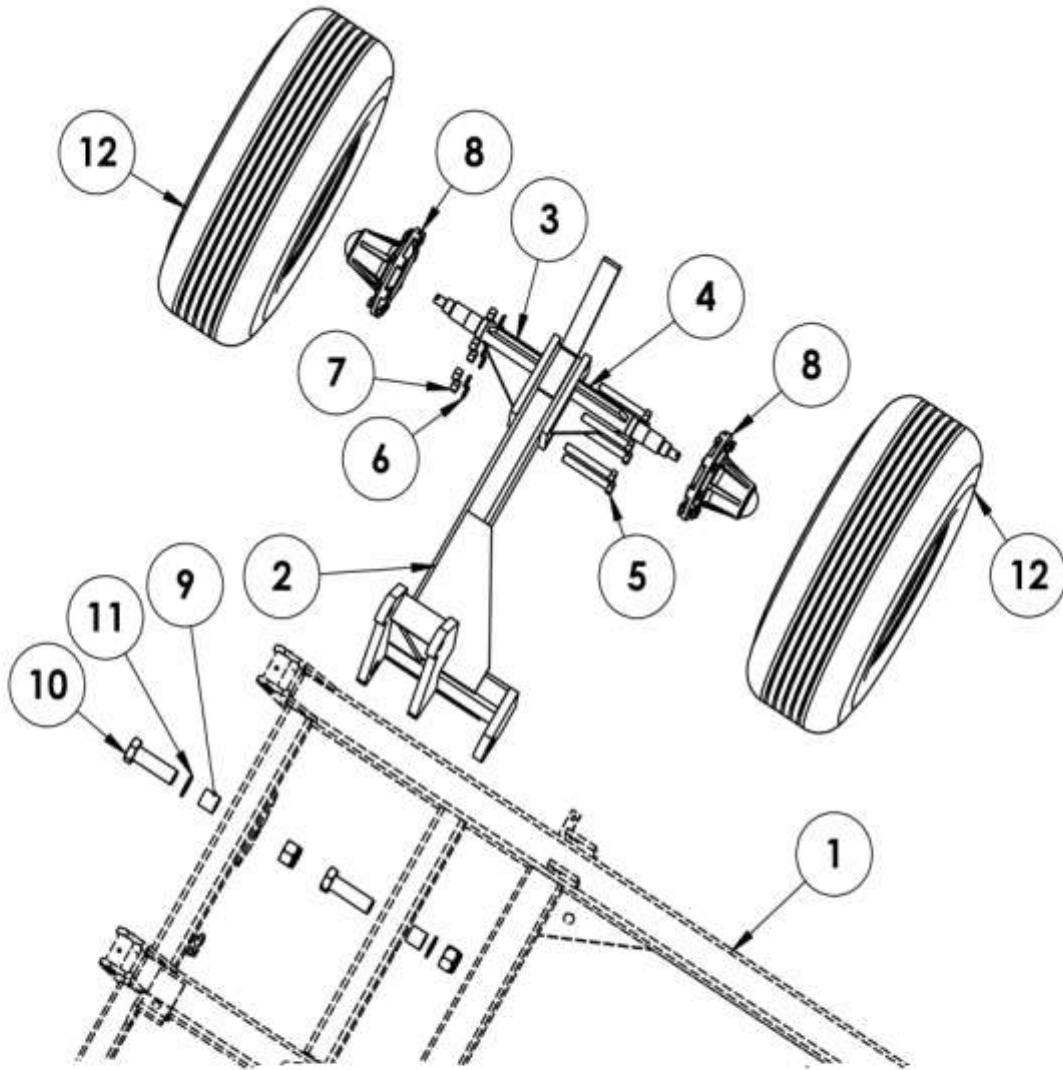
[Back to TOC](#)

Key	Part No.	Description	Qty
1	0415-001	SERIES 21 CENTER FRAME	1
2	0415-223	WHEEL LEG, LEFT	1
3	0410-165	SPINDLE PLATFORM, LH	2
4	7115-075	CAP SCREW, 3/4 NC X 5-1/2	6
5	7845-020	LOCK WASHER, 3/4"	6
6	7725-002	HEX NUT, 3/4 NC	6
7	5619-025	HUB ASSY 8-BOLT Q-778	2
8	6136-675	BUSHING	2
9	8117-003	BOLT, 1-1/2 NC X 4-1/2 W/7717-555 NYLOCK	2
10	7896-500	MACH. BUSHING, 1-1/2 10GA NR (PLAIN)	2
11	5639-037	TIRE & WHEEL, 12.5Lx15 12PLY 8-BOLT RIBBED IMPLEMENT	1
12	5639-034	TIRE & WHEEL, 12.5Lx15 12PLY 8-BOLT TRACT'N (RH)	1
13	0410-167	DRIVE BASKET, HEAVY DUTY (8-BOLT HUB)	1
14	7113-256	CAP SCREW, 9/16 NF X 1-3/4	3

FORM mmyy-xxxx

CW Main Wheel Leg (RH)

[Back to TOC](#)



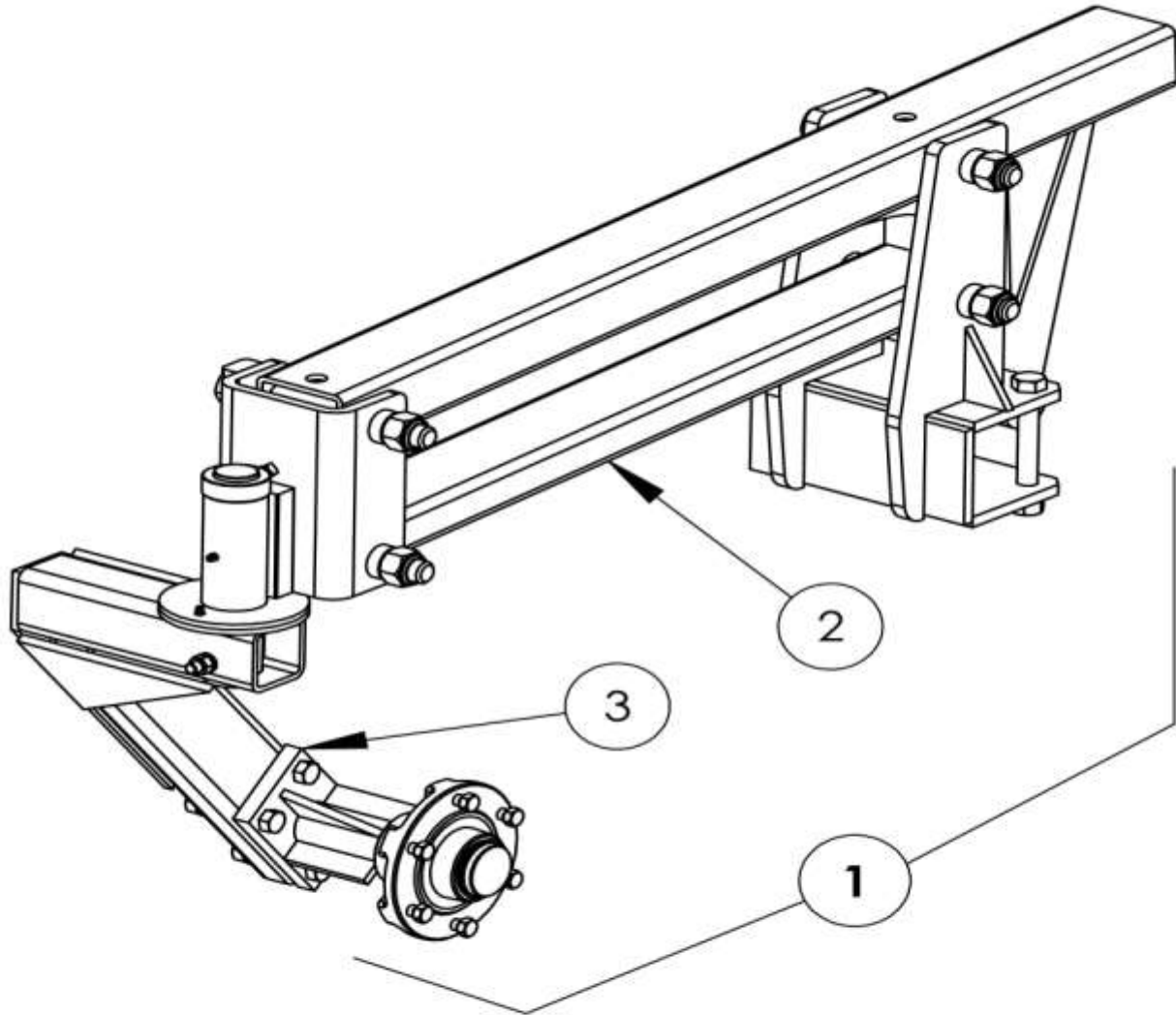
CW Main Wheel Leg (RH)

[Back to TOC](#)

Key	Part No.	Description	Qty
1	0415-001	SERIES 21 CENTER FRAME	1
2	0415-224	WHEEL LEG, RRIGHT	1
3	0410-165	SPINDLE PLATFORM, LH	1
4	0410-166	SPINDLE PLATFORM, RH	1
5	7115-075	CAP SCREW, 3/4 NC X 5-1/2	6
6	7845-020	LOCK WASHER, 3/4"	6
7	7725-002	HEX NUT, 3/4 NC	6
8	5619-025	HUB ASSY 8-BOLT Q-778	2
9	6136-675	BUSHING	2
10	8117-003	BOLT, 1-1/2 NC X 4-1/2 W/7717-555 NYLOCK	2
11	7896-500	MACH. BUSHING, 1-1/2 10GA NR (PLAIN)	2
12	5639-037	TIRE & WHEEL, 12.5Lx15 12PLY 8-BOLT RIBBED IMPLEMENT	1
		<small>FORM mmyy-xxxx</small>	

Center Frame Caster Wheel (LH) ASSY Overview

[Back to TOC](#)



Center Frame Caster Wheel (LH) ASSY Overview

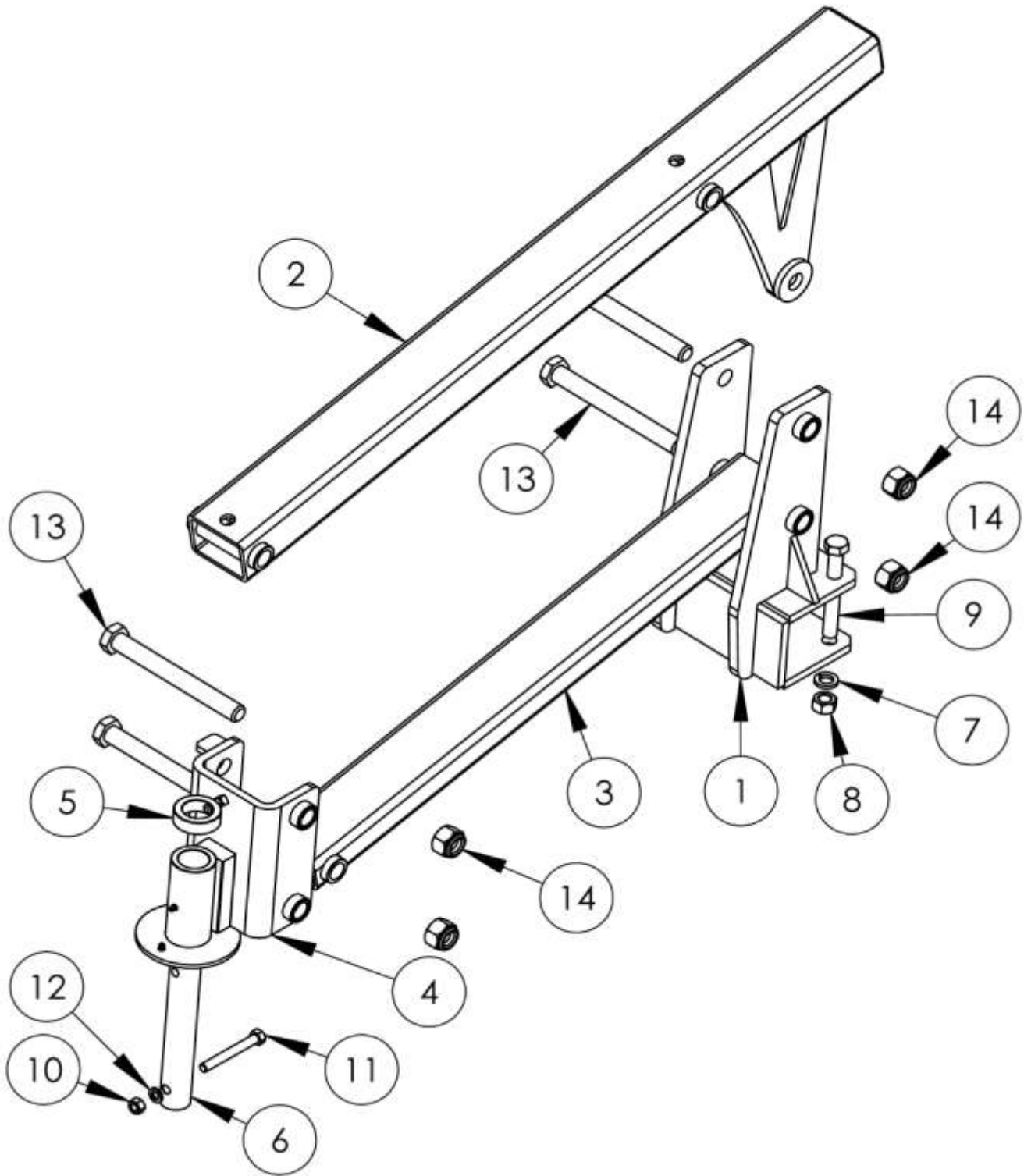
[Back to TOC](#)

Key	Part No.	Description	Qty
1	0415-741	CENTER FRAME CASTER LEG, (LH)	1
2	0415-561	CNTFRAME CASTER WHL LEG, LH ASSY	1
3	0415-557	CASTER WHL LEG, LH ASSY	1

FORM mmyy-xxxx

Center Frame Caster Wheel Leg ASSY, (LH)

[Back to TOC](#)



Center Frame Caster Wheel Leg ASSY, (LH) Components

[Back to TOC](#)

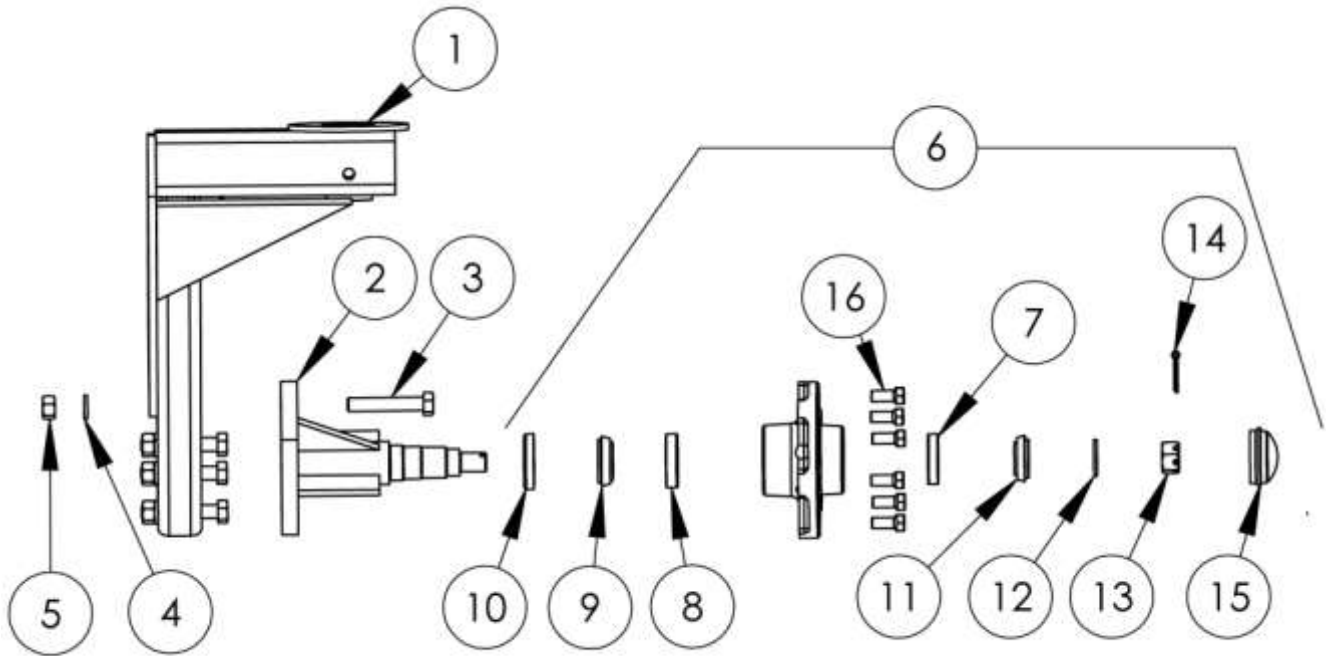
Key	Part No.	Description	Qty
1	0415-737	INNER PIVOT, MAINFRM CASTER	1
2	0415-743	TOP LINK, LH	1
3	0415-738	PARALLEL LINK	1
4	0415-736	OUTER PIVOT, MAINFRM CASTER	1
5	H3420	SET COLLAR, 1-5/8 ID ASSY	1
6	0415-111	CASTER WHL, PIVOT SHAFT	1
7	7845-020	LOCK WASHER, 3/4"	2
8	7725-002	HEX NUT, 3/4 NC	2
9	7115-076	CAP SCREW, 3/4 NC X 6	2
10	7723-015	HEX NUT, 1/2 NC	1
11	7113-122	CAP SCREW, 1/2 NC X 4	1
12	7843-015	LOCK WASHER, 1/2	1
13	8116-090	CAP SCREW	4
14	7726-012	LOCK NUT, NYLOCK, 1 NC	4

FORM mmyy-xxxx

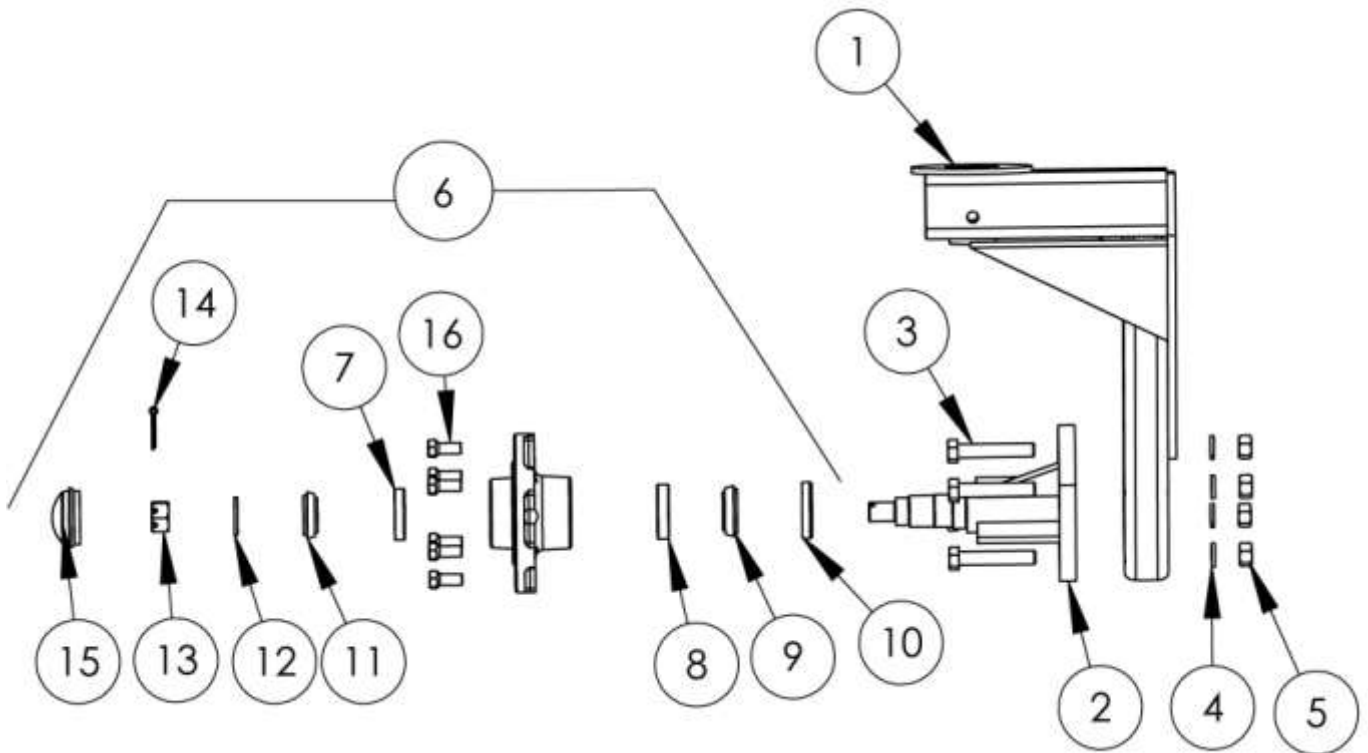
Center Caster Wheel Leg Assemblies

[Back to TOC](#)

LH ASSY 0415-557



RH ASSY 0415-558



Center Caster Wheel Leg Assemblies, Components

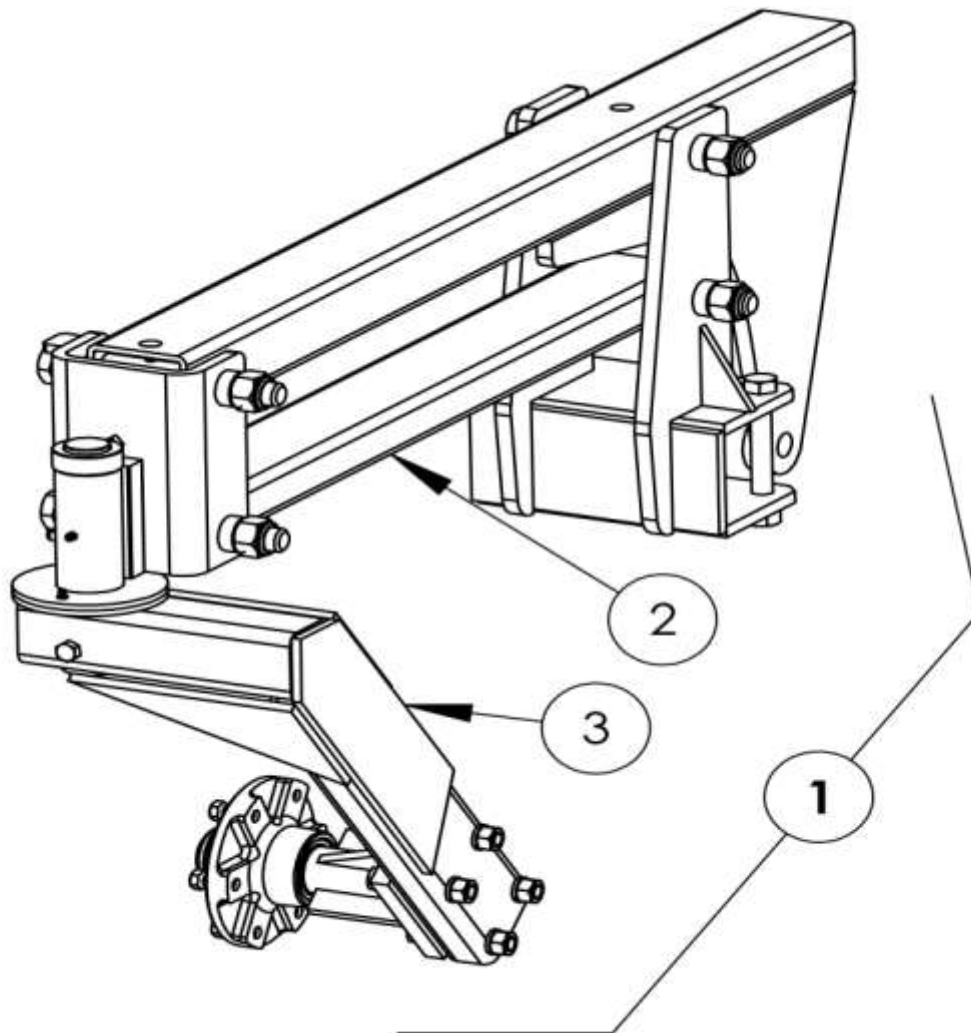
[Back to TOC](#)

Key	Part No.	Description	Qty
1	0415-131	MAIN FRAME CASTER, LH	1
	0415-130	MAIN FRAME CASTER, RH	
2	CW9-034	SPINDLE PLATFORM	1
3	7114-030	CAP SCREW, 5/8 NC X 3-1/2	4
4	7844-020	LOCK WASHER, 5/8	4
5	7724-005	HEX NUT, 5/8 NC	4
6	5619-021	HUB ASSY, Q-888 6-BOLT	1
7	5419-118	CUP, OUTER, 6-BOLT HUB	1
8	5419-141	CUP, INNER, 6-BOLT HUB	1
9	5419-142	BEARING CONE, INNER, 6-BOLT HUB	1
10	5439-141	SEAL, 6-BOLT HUB	1
11	5419-113	BEARING, OUTER, 5/6 BLT HUBS	1
12	7815-014	FLAT WASHER, 7/8 A-325 THROUGH HARDENED	1
13	7715-875	SLOTTED NUT 7/8-14 NF	1
14	7910-162	COTTER PIN, 5/32 X 1-1/2	1
15	5469-006	HUB CAP 6 BOLT	1
16	7333-006	LUG BOLT, 1/2-20 X 1	6

FORM mmyy-xxxx

Main Frame Bogie Wheel (RH) ASSY Overview

[Back to TOC](#)



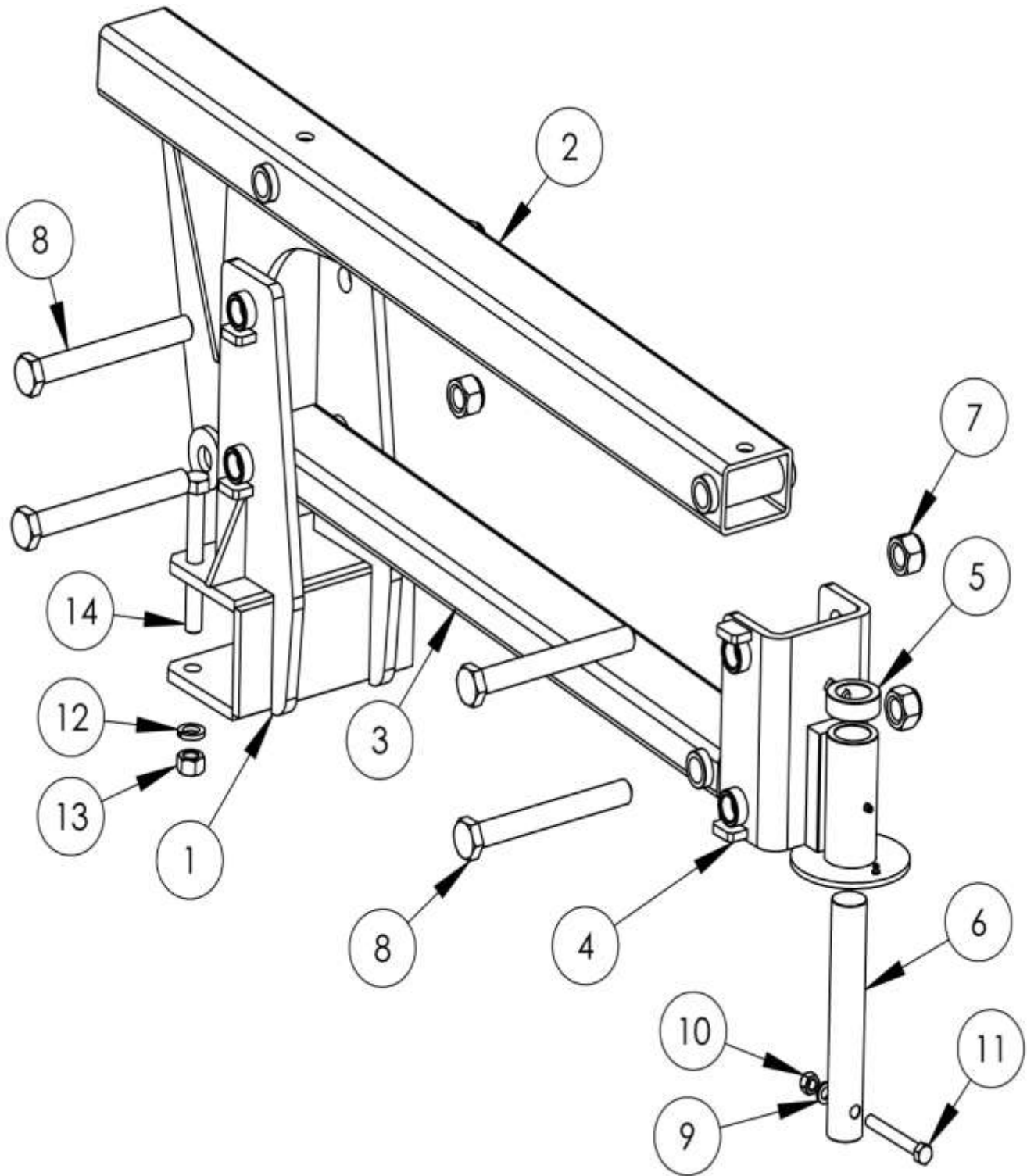
Main Frame Bogie Wheel (RH) ASSY Overview Components

[Back to TOC](#)

Key	Part No.	Description	Qty
1	0415-741	CENTER FRAME CASTER LEG, (LH)	1
2	0415-560	CNTFRAME CASTER WHL LEG, RH ASSY	1
3	0415-558	CASTER WHL LEG, RH ASSY	1
			FORM mmyy-xxxx

Center Frame Caster Wheel Leg ASSY, (RH)

[Back to TOC](#)



Center Frame Caster Wheel Leg ASSY, (RH) Components

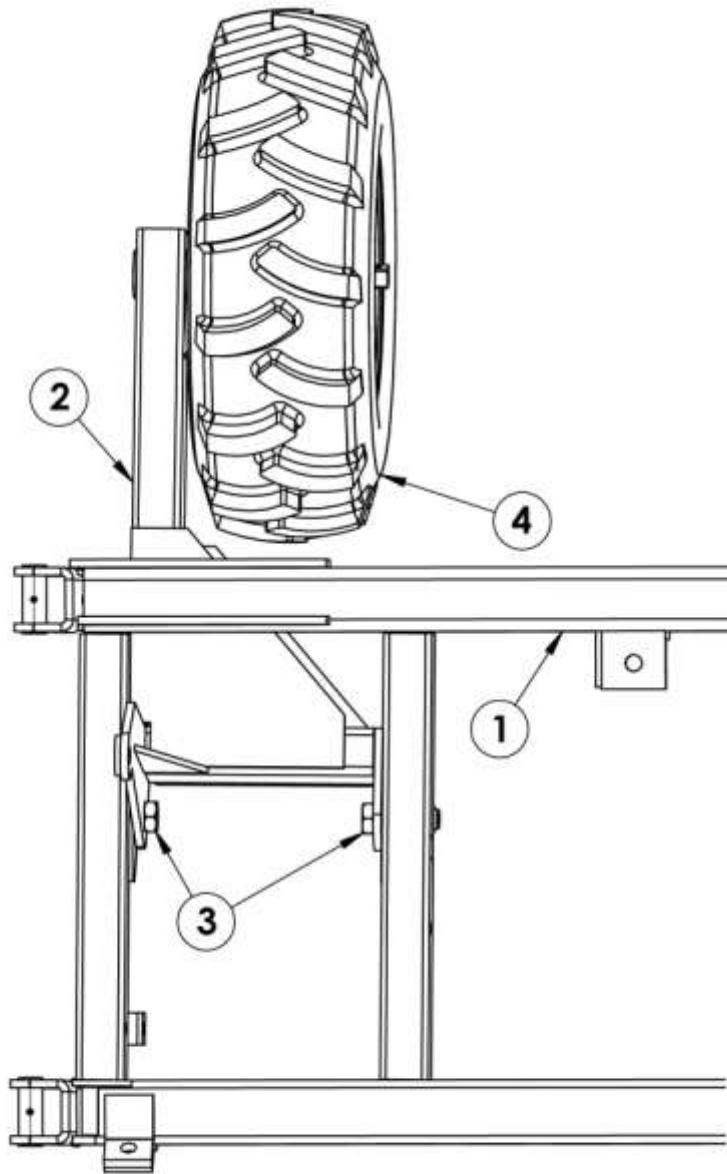
[Back to TOC](#)

Key	Part No.	Description	Qty
1	0415-737	INNER PIVOT, MAINFRM CASTER	1
2	0415-744	TOP LINK, RH	1
3	0415-738	PARALLEL LINK	1
4	0415-736	OUTER PIVOT, MAINFRM CASTER	1
5	H3420	SET COLLAR, 1-5/8 ID ASSY	1
6	0415-111	CASTER WHL, PIVOT SHAFT	1
7	7845-020	LOCK WASHER, 3/4"	2
8	7725-002	HEX NUT, 3/4 NC	2
9	7115-076	CAP SCREW, 3/4 NC X 6	2
10	7723-015	HEX NUT, 1/2 NC	1
11	7113-122	CAP SCREW, 1/2 NC X 4	1
12	7843-015	LOCK WASHER, 1/2	1
13	8116-090	CAP SCREW	4
14	7726-012	LOCK NUT, NYLOCK, 1 NC	4

FORM mmyy-xxxx

Wing Wheel Leg Overview (RH)

[Back to TOC](#)



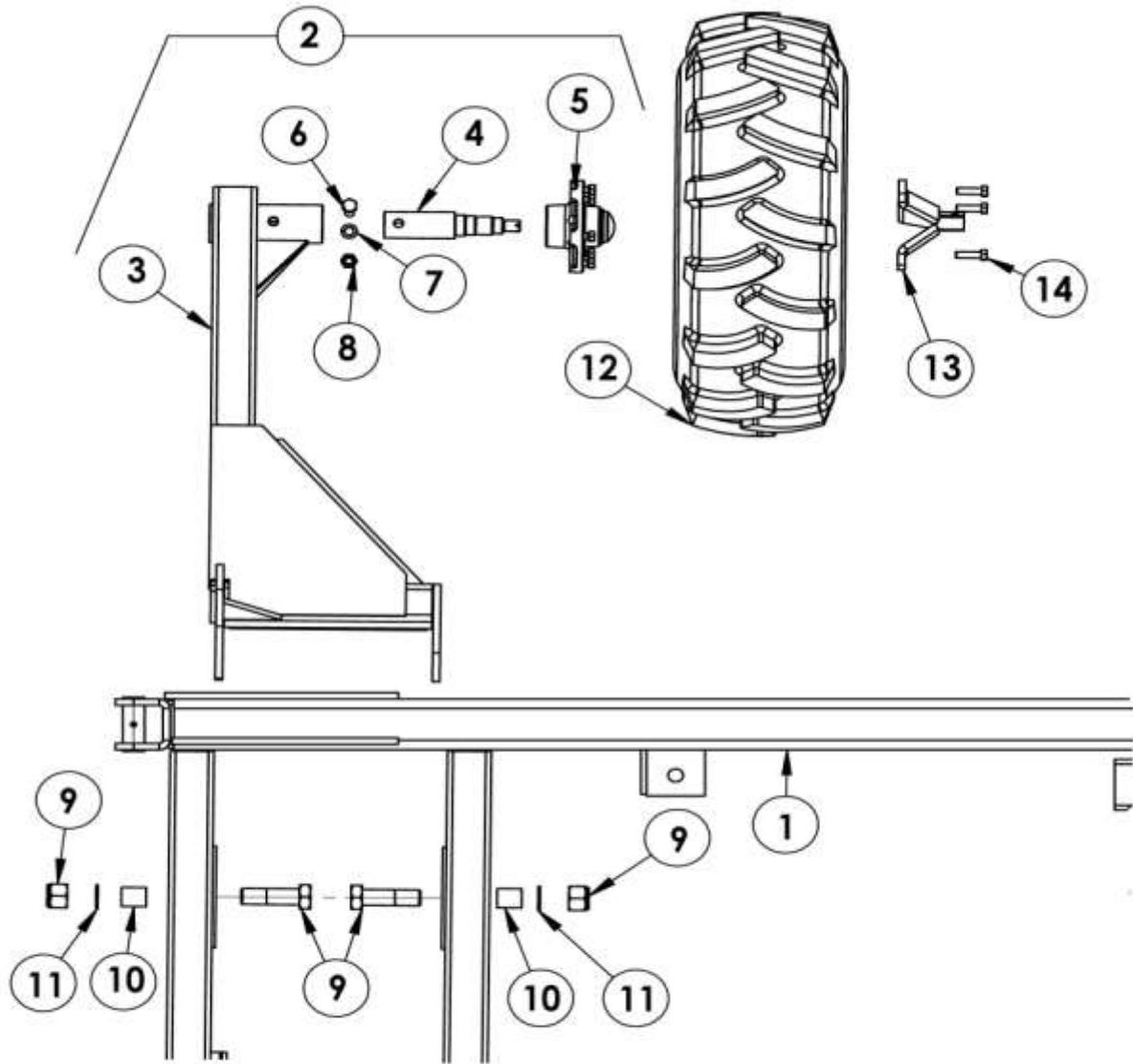
Wing Wheel Leg Overview (RH)

[Back to TOC](#)

Key	Part No.	Description	Qty
1	0410-028	INNER WING FRAME, 12' (RH)	1
	0410-026	OUTER WING FRAME, 12' (RH)	
	0410-091	INNER WING FRAME, 10-1/2' RH	
	0410-132	OUTER WING FRAME, 7' (RH)	
2	CW9-552	WHEEL LEG ASSY W/ REPLACE SPINDLE RH	1
3	8116-802	BOLT, 1-1/4 NC X 3-5/8 W/7717-255 NYLOCK	2
4	5639-032	TIRE & WHEEL, 12.5Lx15 12PLY 6-BOLT TRACT'N (RH)	1
<small>FORM mmyy-xxxx</small>			

Wing Wheel Leg Detail (RH)

[Back to TOC](#)



Wing Wheel Leg Detail (RH)

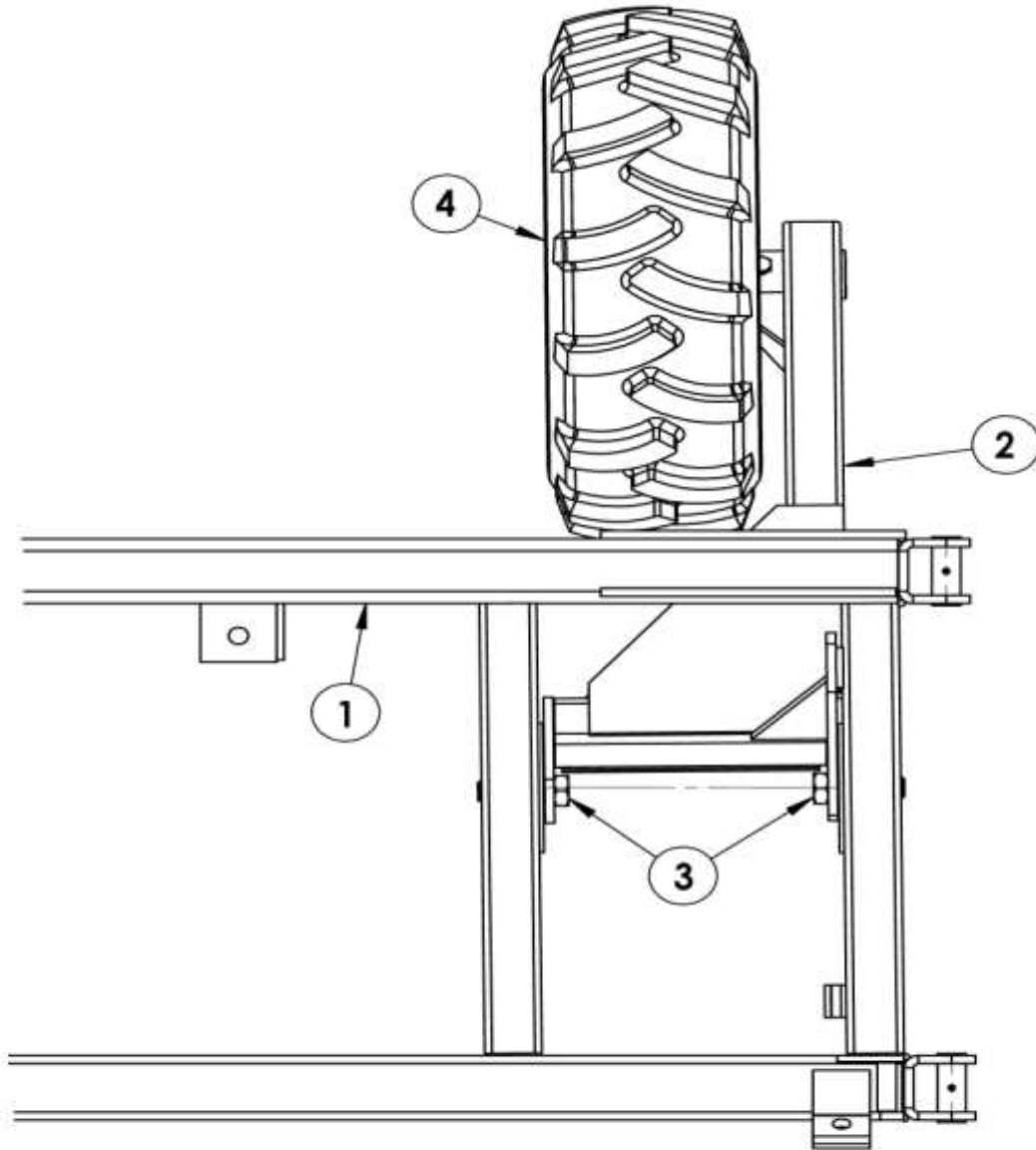
[Back to TOC](#)

Key	Part No.	Description	Qty
1	0410-028	INNER WING FRAME, 12' (RH)	1
	0410-091	INNER WING FRAME, 10-1/2' RH	
	0410-026	OUTER WING FRAME, 12' (RH)	
	0410-132	OUTER WING FRAME, 7' (RH)	
2	CW9-552	WHEEL LEG ASSY W/ REPLACE SPINDLE RH	1
3	CW9-014	WHEEL LEG RH	1
4	5629-005	SPINDLE, BOLT-IN, 3650#, (6-BOLT HUB)	1
5	5619-021	HUB ASSY, Q-888 6-BOLT	1
6	7114-040	CAP SCREW, 5/8 NC X 4	1
7	7844-020	LOCK WASHER, 5/8	1
8	7724-005	HEX NUT, 5/8 NC	1
9	8116-803	BOLT, 1-1/2 NC X 4-1/8 W/7717-555 NYLOCK	2
10	6136-627	BUSHING	2
11	7896-250	MACH. BUSHING, 1-1/4 10GA NR	2
12	5639-032	TIRE & WHEEL, 12.5Lx15 12PLY 6-BOLT TRACT'N (RH)	1
13	0207-121	DRIVE BASKET (6-BOLT HUB)	1
14	7113-107	CAP SCREW, 1/2 NF X 1-3/4	3

FORM mmyy-xxxx

Wing Wheel Leg Overview (LH)

[Back to TOC](#)



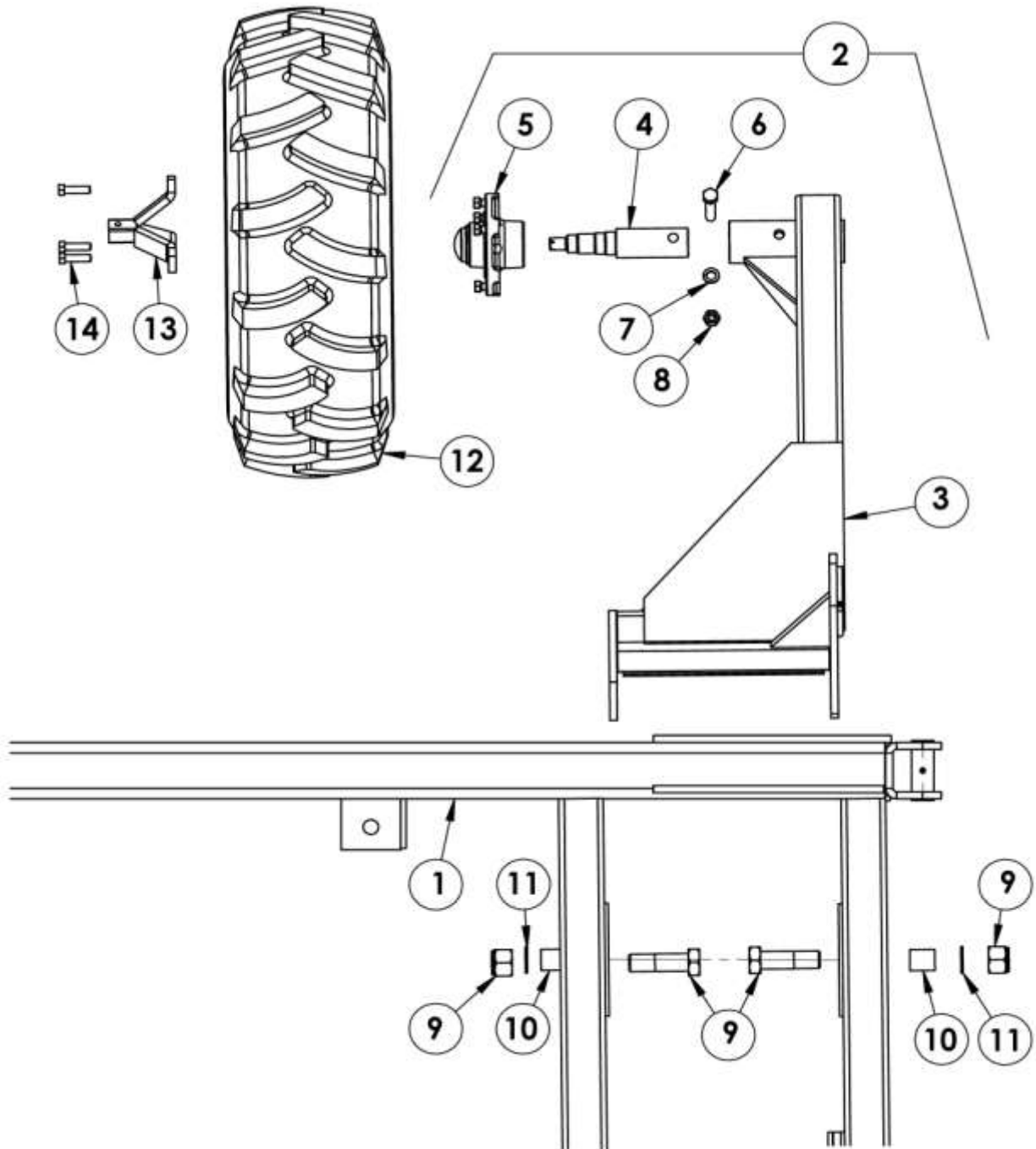
Wing Wheel Leg Overview (LH)

[Back to TOC](#)

Key	Part No.	Description	Qty
1	0410-027	INNER WING FRAME, 12' (LH)	1
	0410-025	OUTER WING FRAME, 12' (LH)	
	0410-092	INNER WING FRAME, 10-1/2' LH	
	0410-131	OUTER WING FRAME, 7' (LH)	
2	CW9-551	WHEEL LEG ASSY W/ REPLACE SPINDLE LH	1
3	8116-802	BOLT, 1-1/4 NC X 3-5/8 W/7717-255 NYLOCK	2
4	5639-033	TIRE & WHEEL, 12.5Lx15 12PLY 6-BOLT TRACT'N (LH)	1
<small>FORM mmyy-xxxx</small>			

Wing Wheel Leg Detail (LH)

[Back to TOC](#)



Wing Wheel Leg Detail (LH)

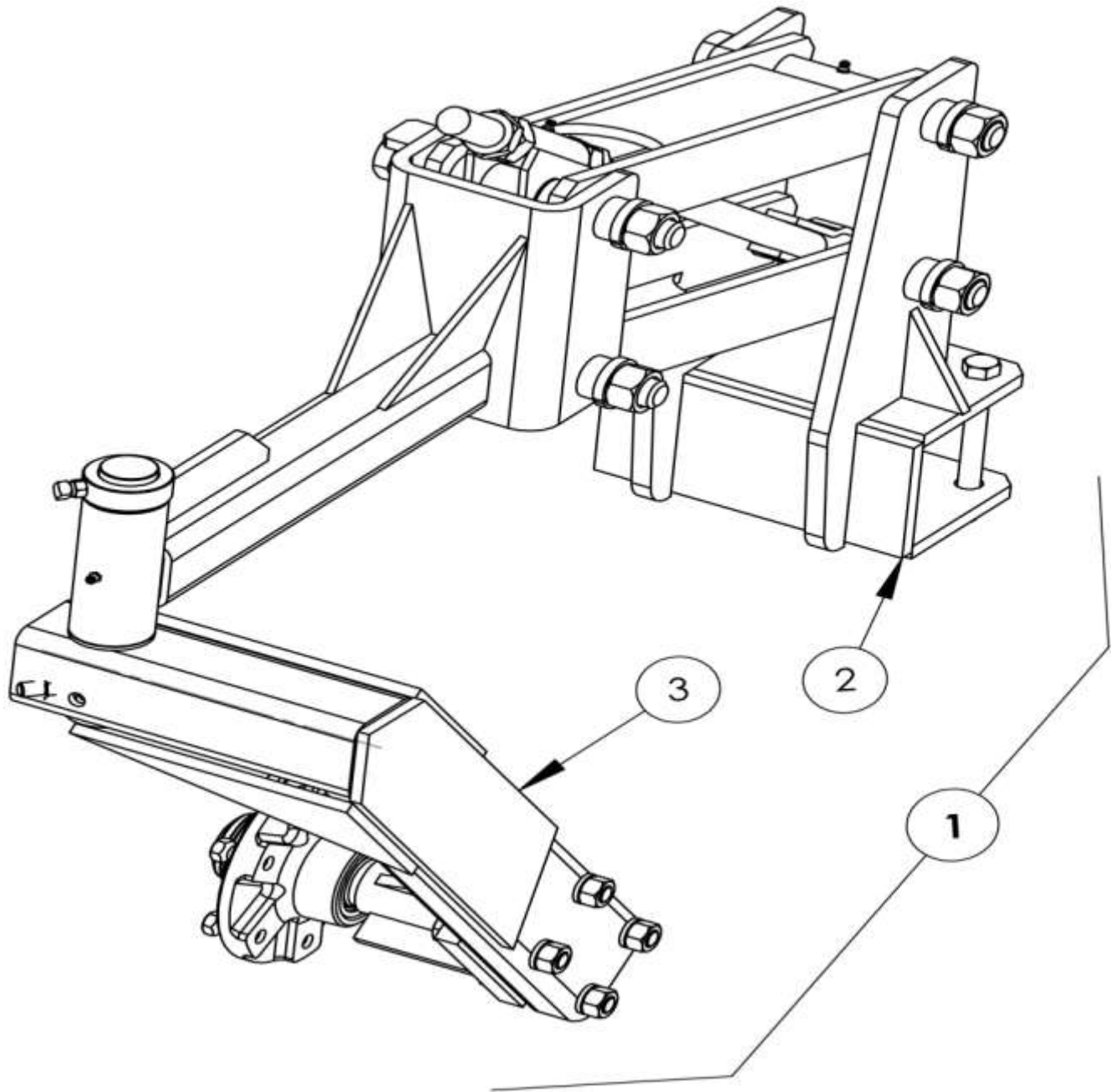
[Back to TOC](#)

Key	Part No.	Description	Qty
1	0410-027	INNER WING FRAME, 12' (LH)	1
	0410-092	INNER WING FRAME, 10-1/2' LH	
	0410-025	OUTER WING FRAME, 12' (LH)	
	0410-131	OUTER WING FRAME, 7' (LH)	
2	CW9-551	WHEEL LEG ASSY W/ REPLACE SPINDLE LH	1
3	CW9-013	WHEEL LEG LH	1
4	5629-005	SPINDLE, BOLT-IN, 3650#, (6-BOLT HUB)	1
5	5619-021	HUB ASSY, Q-888 6-BOLT	1
6	7114-040	CAP SCREW, 5/8 NC X 4	1
7	7844-020	LOCK WASHER, 5/8	1
8	7724-005	HEX NUT, 5/8 NC	1
9	8116-803	BOLT, 1-1/2 NC X 4-1/8 W/7717-555 NYLOCK	2
10	6136-627	BUSHING	2
11	7896-250	MACH. BUSHING, 1-1/4 10GA NR	2
12	5639-033	TIRE & WHEEL, 12.5Lx15 12PLY 6-BOLT TRACT'N (LH)	1
13	0207-121	DRIVE BASKET (6-BOLT HUB)	1
14	7113-107	CAP SCREW, 1/2 NF X 1-3/4	3

FORM mmyy-xxxx

Wing Caster ASSY Overview (RH)

[Back to TOC](#)



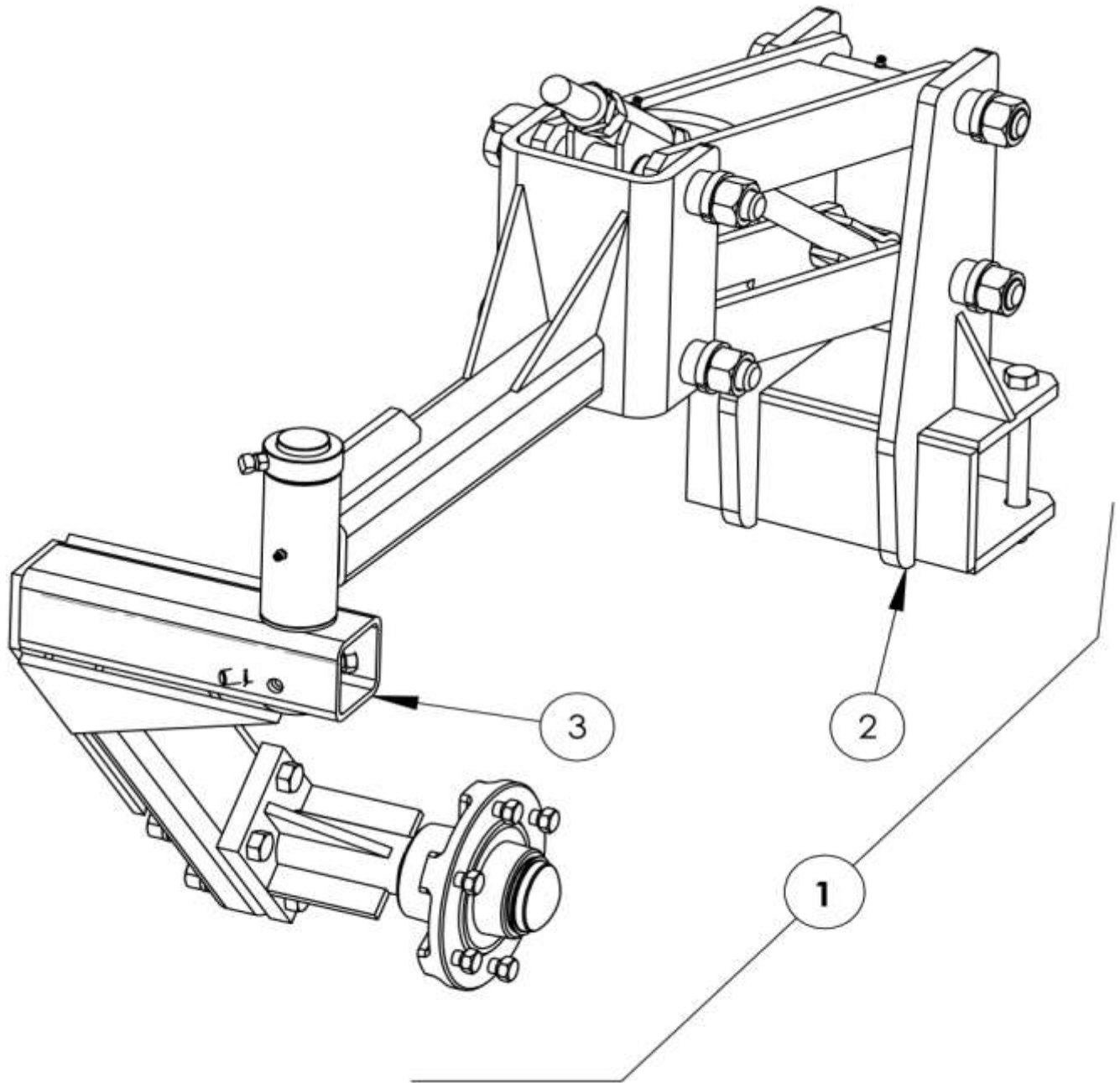
Wing Caster ASSY Overview (RH) Components

[Back to TOC](#)

Key	Part No.	Description	Qty
1	0415-748	WING CASTER, RH	1
2	0415-740	CASTOR MOUNT, ASSY	1
3	CW9-555	CASTER WHEEL LEG ASSY-RH	1
			FORM mmyy-xxxx

Wing Caster ASSY Overview (LH)

[Back to TOC](#)



Wing Caster ASSY Overview (LH)

[Back to TOC](#)

Key	Part No.	Description	Qty
1	0415-749	WING CASTER, LH	1
2	0415-740	CASTOR MOUNT, ASSY	1
3	CW9-556	CASTER WHEEL LEG ASSY-LH	1
			FORM mmyy-xxxx

Wing Caster Components

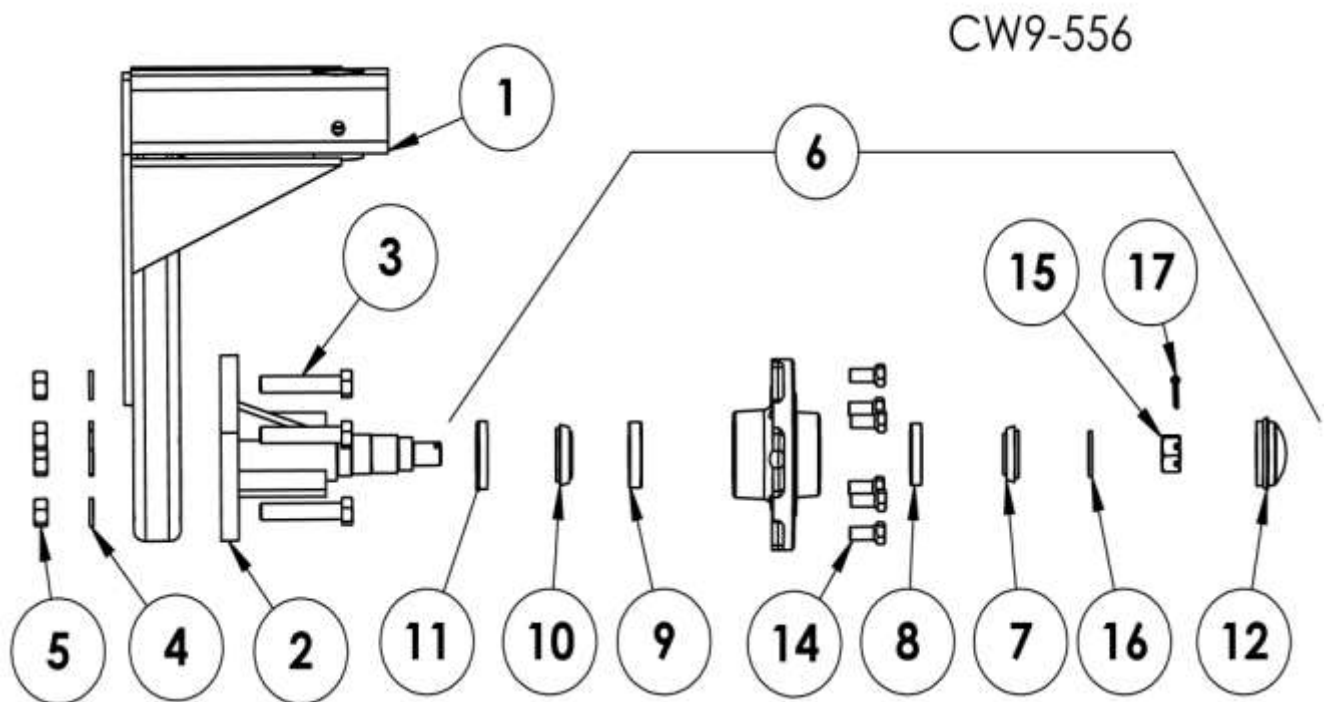
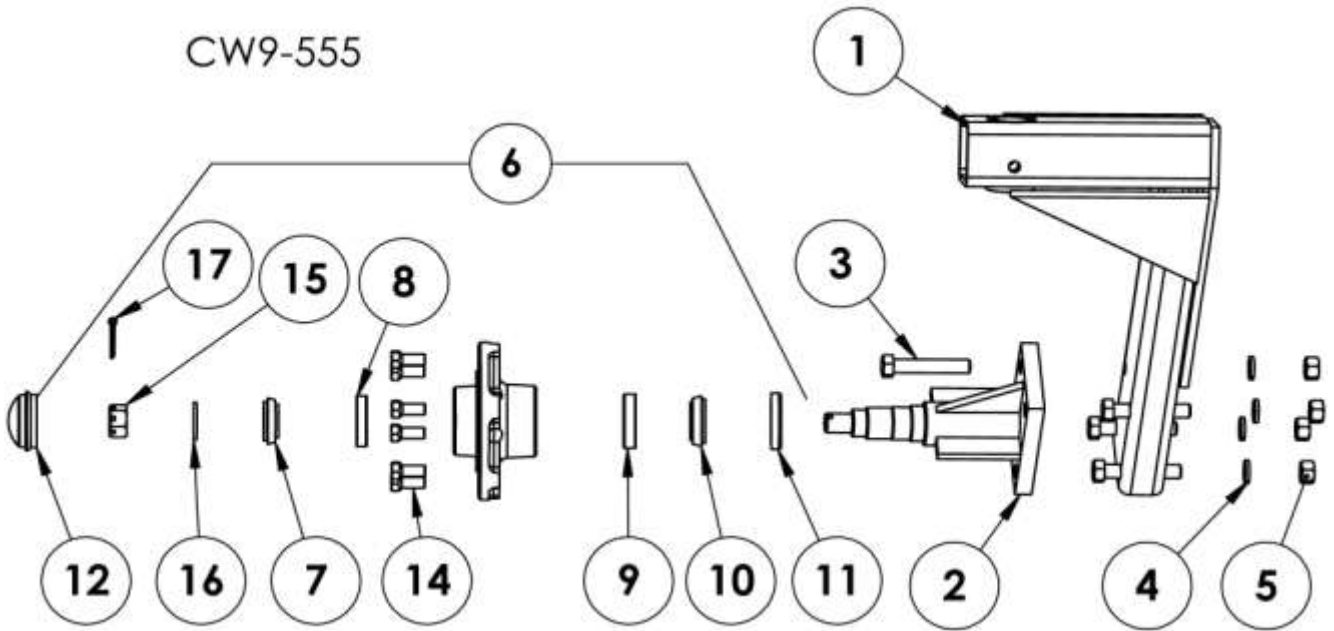
[Back to TOC](#)

Key	Part No.	Description	Qty
1	0415-737	INNER PIVOT, MAINFRM CASTER	1
2	0415-731	PARALLEL ARM	2
3	0415-734	CASTER, WING	1
4	0415-733	ADJ SCREW, CASTER	1
5	0415-732	ADJ SCREW, PIVOT	1
6	0415-111	CASTER WHL, PIVOT SHAFT	1
7	H3420	SET COLLAR, 1-5/8 ID ASSY	1
8	7716-855	JAM NUT, 1 NC (PLAIN)	2
9	8116-090	CAP SCREW	4
10	7726-005	HEX NUT, 1 NC	2
11	7114-060	CAP SCREW, 5/8 NC X 6	2
12	7724-005	HEX NUT, 5/8 NC	2
13	7844-020	LOCK WASHER, 5/8	2
14	7113-122	CAP SCREW, 1/2 NC X 4	1
15	7723-015	HEX NUT, 1/2 NC	1
16	7843-015	LOCK WASHER, 1/2	1
17	7897-015	MACH. BUSHING, 1-5/8 10GA NR	1
18	7897-010	MACH. BUSHING, 1-5/8 14GA NR	1
19	7726-012	LOCK NUT, NYLOCK, 1 NC	4

FORM mmyy-xxxx

Wing Bogie Wheel Leg ASSY'S

[Back to TOC](#)



Wing Bogie Wheel Leg ASSY'S

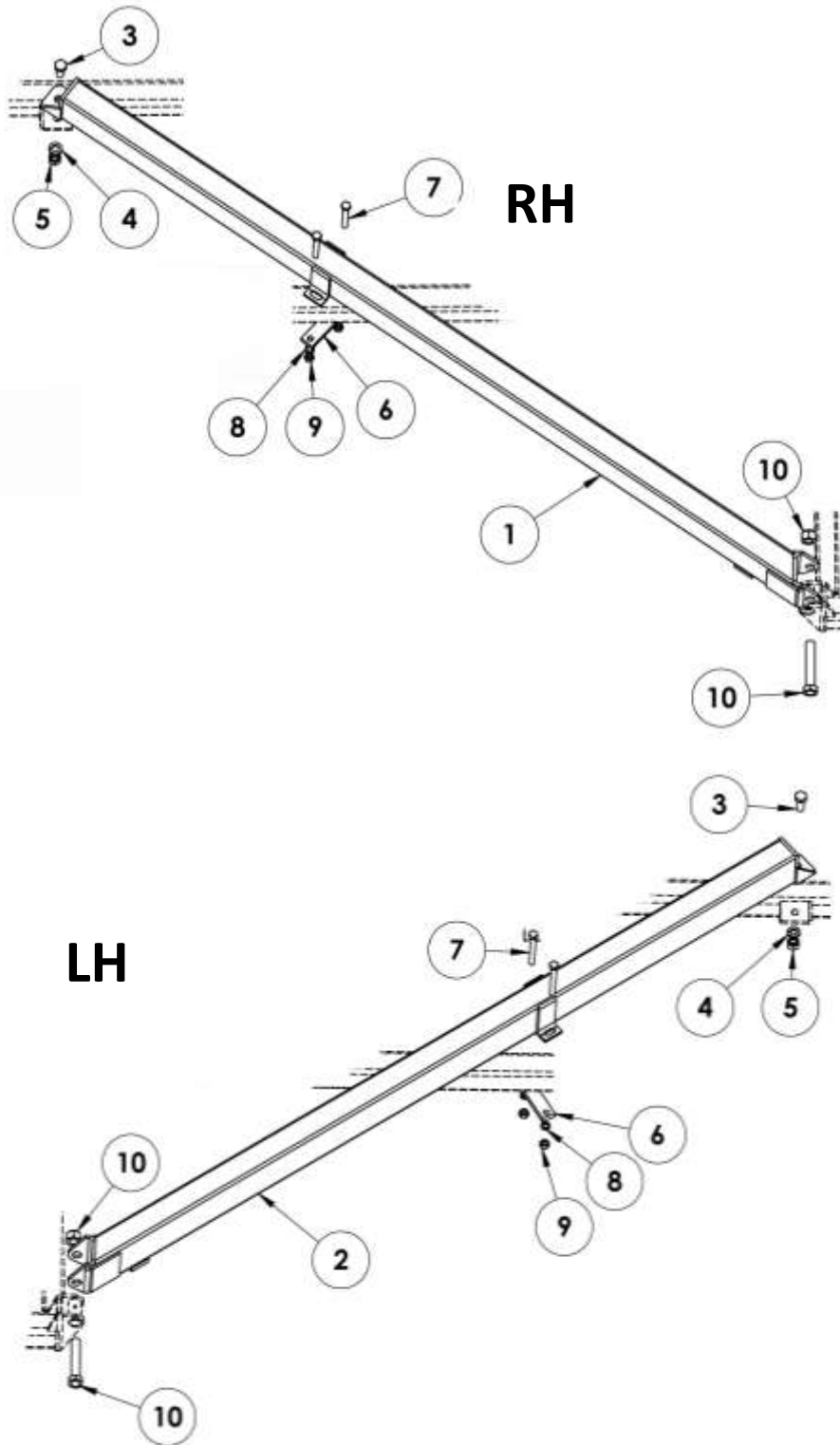
[Back to TOC](#)

Key	Part No.	Description	Qty
1	CW9-030	CASTER WHEEL LEG-LH	1
	CW9-031	CASTER WHEEL LEG-RH	
2	CW9-034	SPINDLE PLATFORM	1
3	7114-030	CAP SCREW, 5/8 NC X 3-1/2	4
4	7844-020	LOCK WASHER, 5/8	4
5	7724-005	HEX NUT, 5/8 NC	4
6	5619-021	HUB ASSY, Q-888 6-BOLT	1
7	5419-113	BEARING, OUTER, 5/6 BLT HUBS	1
8	5419-118	CUP, OUTER, 6-BOLT HUB	1
9	5419-141	CUP, INNER, 6-BOLT HUB	1
10	5419-142	BEARING CONE, INNER, 6-BOLT HUB	1
11	5439-141	SEAL, 6-BOLT HUB	1
12	5469-006	HUB CAP 6 BOLT	1
14	7333-006	LUG BOLT, 1/2-20 X 1	6
15	7715-875	SLOTTED NUT 7/8-14 NF	1
16	7815-014	FLAT WASHER, 7/8 A-325 THROUGH HARDENED	1
17	7910-162	COTTER PIN, 5/32 X 1-1/2	1

FORM mmyy-xxxx

Wing Pull Components

[Back to TOC](#)



Wing Pull Components

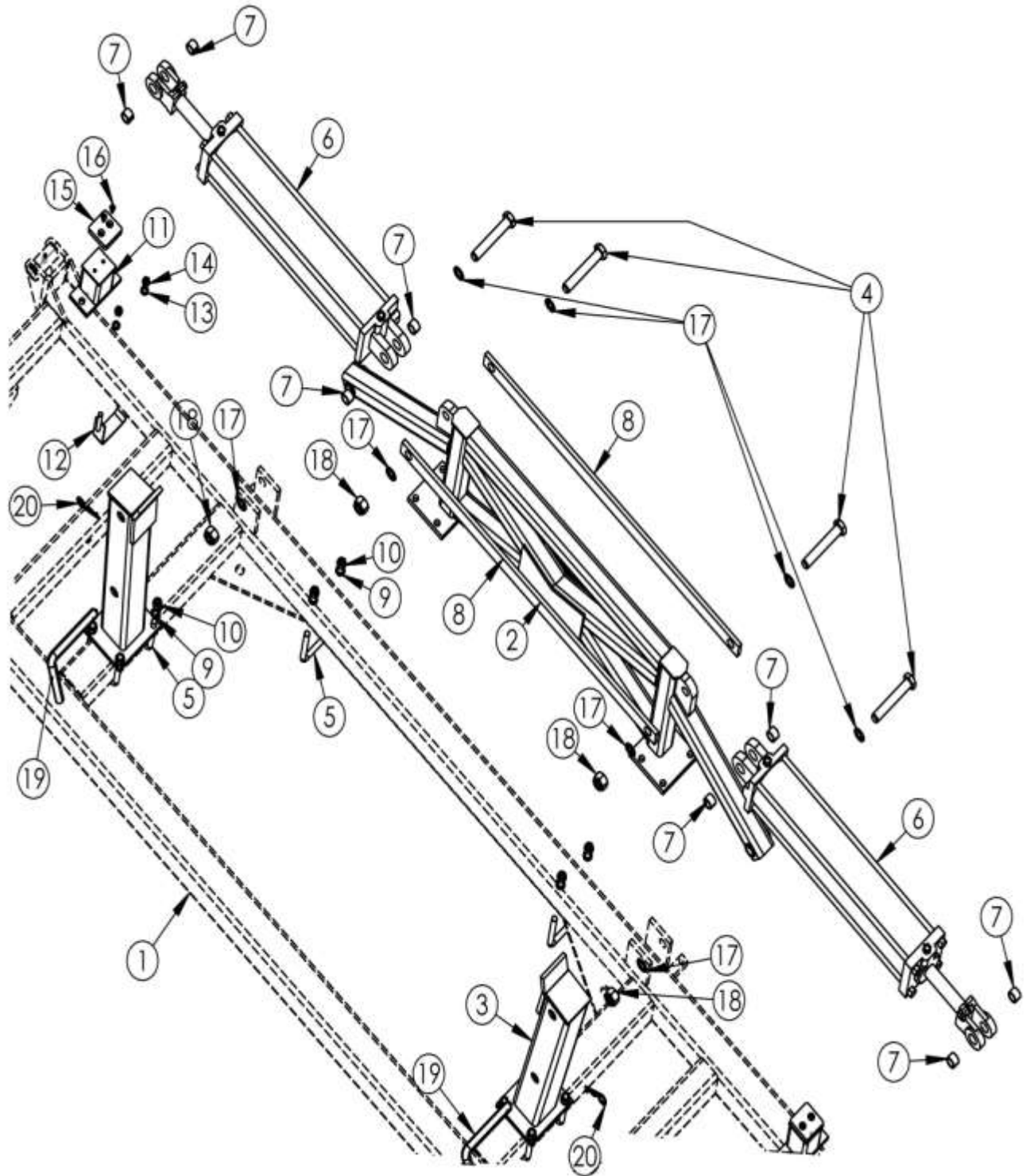
[Back to TOC](#)

Key	Part No.	Description	Qty
1	0415-070	WING PULL, RH	1
2	0415-069	WING PULL, LH	1
3	7116-025	CAP SCREW, 1 NC X 2-1/2	2
4	7846-020	LOCK WASHER, 1	2
5	7726-005	HEX NUT, 1 NC	2
6	0216-058	BACKING PLATE, 6-3/16 SPAN 3/4" BOLTS	2
7	7115-076	CAP SCREW, 3/4 NC X 6	4
8	7845-020	LOCK WASHER, 3/4"	4
9	7725-002	HEX NUT, 3/4 NC	4
10	8116-032	BOLT, 1-1/4" NC X 7", w/7717-255 NYLOCK	2

FORM 1115-0845

Wing Lift Center

[Back to TOC](#)



Wing Lift Center Components

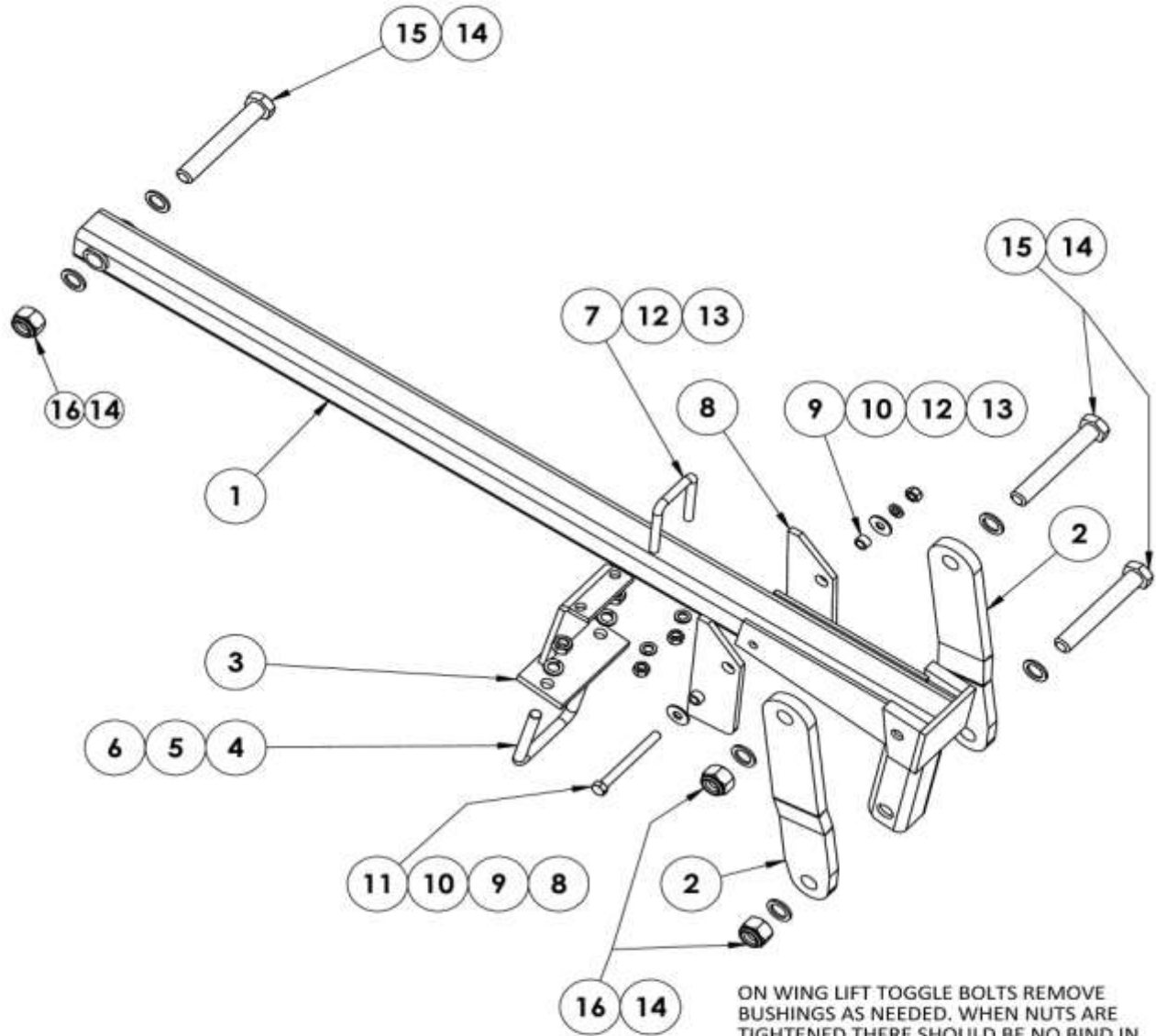
[Back to TOC](#)

Key	Part No.	Description	Qty
1	0415-001	SERIES 21 CENTER FRAME	1
2	0416-035	CENTER SUPPORT MOUNT, HD	1
3	0410-076	CENTER WING TRANSPORT STAND	2
4	8116-060	BOLT, 1" NC X 6" W/ 7726-012 NYLOCK	4
5	5214-002	5/8 U-BOLT	6
6	5818-610	CYLINDER, 5 X 24 SAE	2
7	5818-030	BUSHING, CLEVIS PIN, FOR 5 x 24, 5 x 30 CYLINDERS	8
8	0410-043	CENTER SUPPORT BAR	2
9	7844-020	LOCK WASHER, 5/8	12
10	7724-005	HEX NUT, 5/8 NC	12
11	0410-144	WING LIFT STOP BLOCK	2
12	0410-145	STRAP BOLT 1/2 NC	2
13	7843-015	LOCK WASHER, 1/2	4
14	7723-010	HEAVY HEX NUT, 1/2 NC	4
15	CW9-067	WING LIFT STOP PAD	2
16	7120-075	FLATHEAD SCREW, 5/16NC x 3/4	4
17	7896-001	MACH. BUSHING, 1 10GA NR	8
18	7726-012	LOCK NUT, NYLOCK, 1 NC	4
19	8036-801	PIN, WING LOCK 1 X 6-1/2	2
20	7920-002	HITCH PIN CLIP, #8	2

FORM mmyy-xxxx

Inner Wing Lift Components

[Back to TOC](#)



ON WING LIFT TOGGLE BOLTS REMOVE BUSHINGS AS NEEDED. WHEN NUTS ARE TIGHTENED THERE SHOULD BE NO BIND IN MOVEMENT OF WING LIFT TOGGLES. TWO BUSHINGS ARE INCLUDED WITH EACH BOLT.

Inner Wing Lift Components

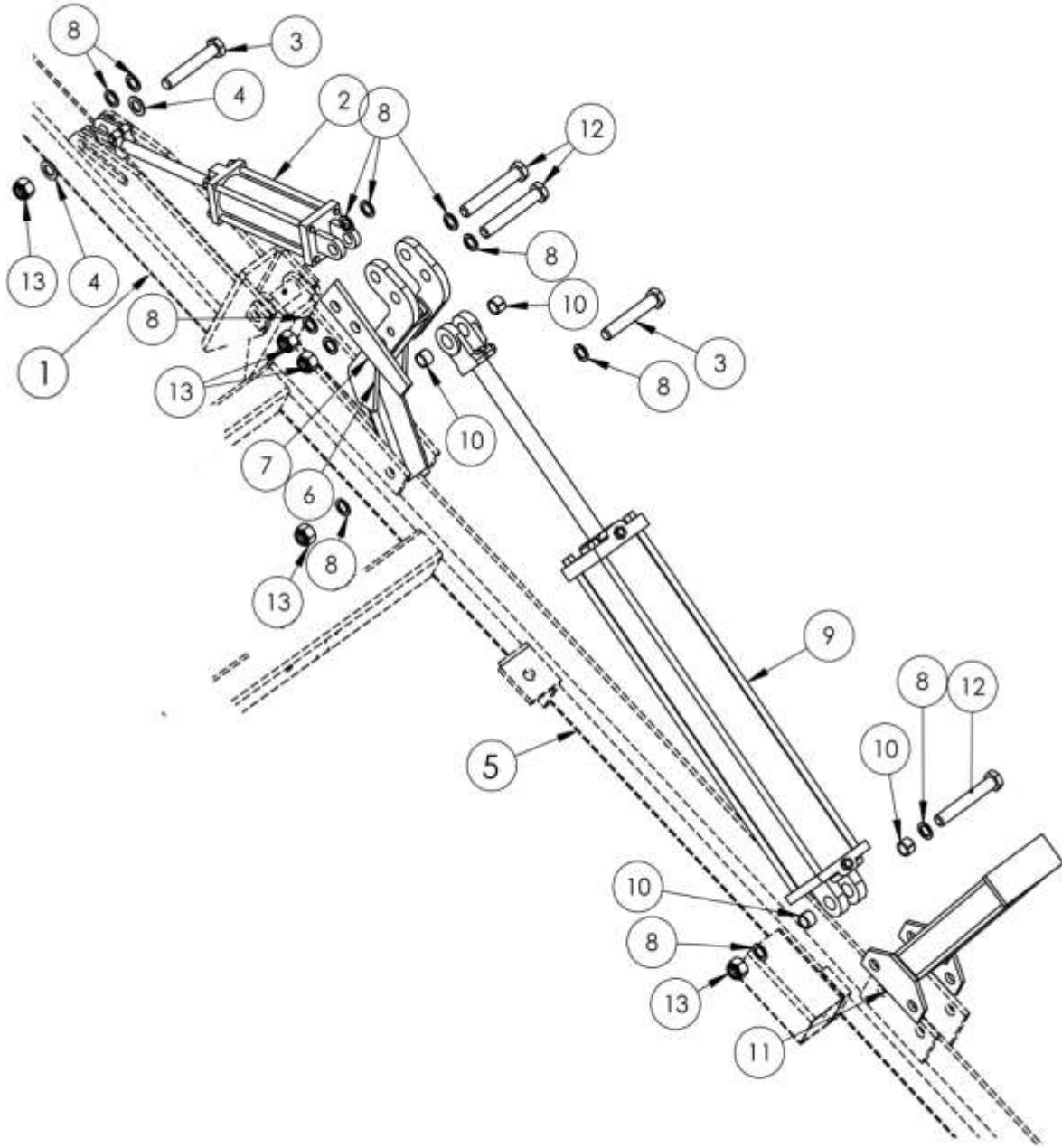
[Back to TOC](#)

Key	Part No.	Description	Qty
1	0400-020	WING LIFT	1
2	0400-032	WING LIFT TOGGLE, 14 5/16" C	2
3	0410-175	BRACE CENTER LH	1
	0410-176	BRACE CENTER RH	
4	5214-002	5/8 U-BOLT	1
5	7844-020	LOCK WASHER, 5/8	2
6	7724-005	HEX NUT, 5/8 NC	2
7	5213-001	1/2 U-BOLT	1
8	0410-106	STOP WING LIFT, 3/8 X 3 HRM	2
9	6133-007	BUSHING	2
10	7813-015	FLAT WASHER, 1/2	2
11	7113-127	CAP SCREW, 1/2 NC x 5	1
12	7843-015	LOCK WASHER, 1/2	3
13	7723-015	HEX NUT, 1/2 NC	3
14	7896-001	MACH. BUSHING, 1 10GA NR	6
15	8116-062	BOLT, 1" NC X 6-5/8" W/ 7726-012 NYLOCK	3
16	7726-012	LOCK NUT, NYLOCK, 1 NC	3

FORM mmyy-xxxx

Wing Lift Outer

[Back to TOC](#)



Outer Wing Lift Components

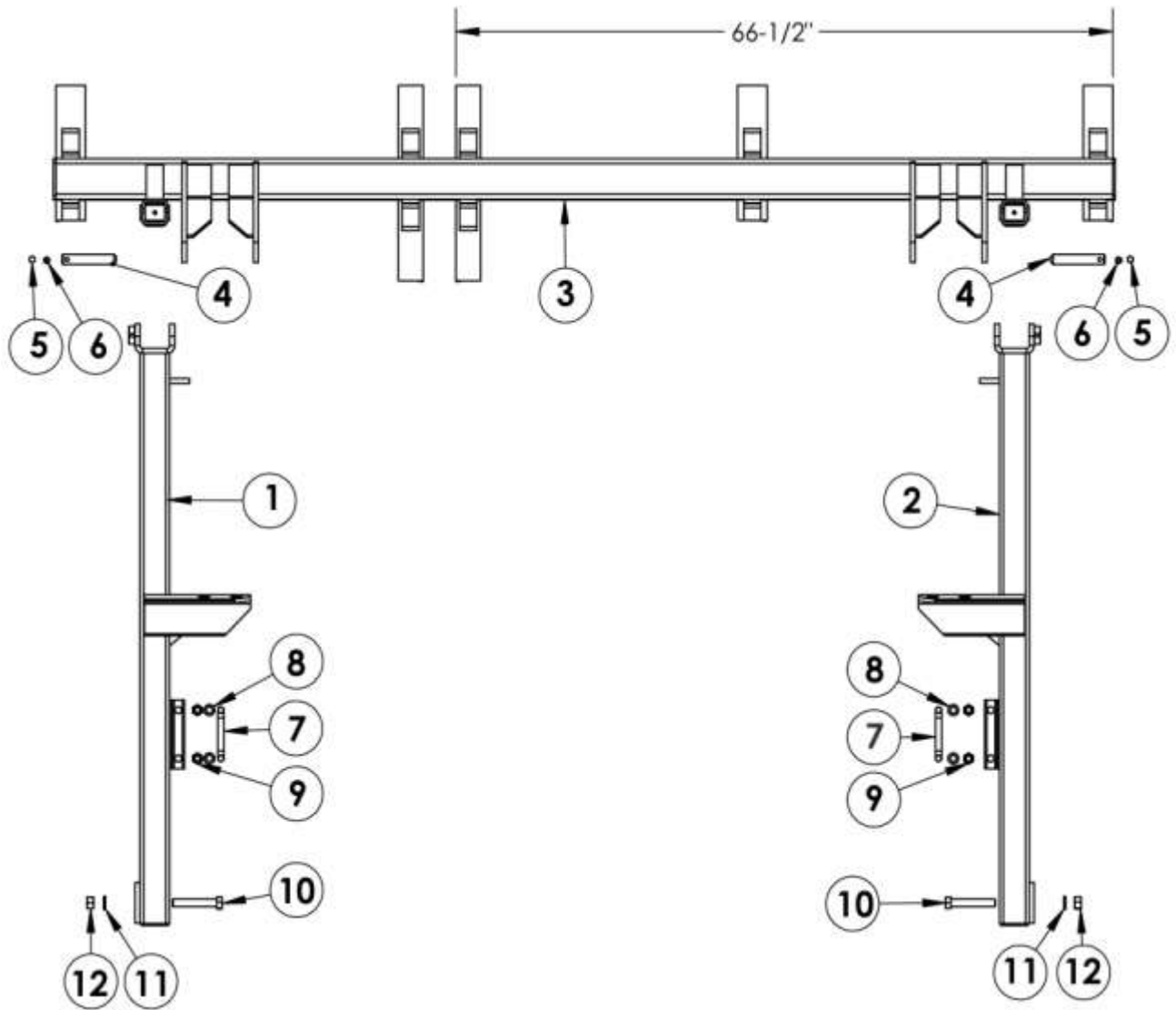
[Back to TOC](#)

Key	Part No.	Description	Qty
1	0410-025	OUTER WING FRAME, 12' (LH)	1
	0410-026	OUTER WING FRAME, 12' (RH)	
	0410-131	OUTER WING FRAME, 7' (LH)	
	0410-132	OUTER WING FRAME, 7' (RH)	
2	5818-600	CYLINDER, 3 X 8 SAE	1
3	8116-060	BOLT, 1" NC X 6" W/ 7726-012 NYLOCK	2
4	7816-010	FLAT WASHER, 1 SAE	2
5	0410-028	INNER WING FRAME, 12' (RH)	1
	0410-027	INNER WING FRAME, 12' (LH)	
6	0410-048	CYLINDER ACTUATOR ARM	1
7	0410-102	SUPPORT LEAD ARM 1/2 X 3-1/2 HRM	1
8	7896-001	MACH. BUSHING, 1 10GA NR	12
9	5818-615	CYLINDER, 5 X 30 SAE	1
10	5818-030	BUSHING, CLEVIS PIN, FOR 5 x 24, 5 x 30 CYLINDERS	4
11	0410-115	WING TRANSPORT STAND	1
12	8116-062	BOLT, 1" NC X 6-5/8" W/ 7726-012 NYLOCK	3
13	7726-012	LOCK NUT, NYLOCK, 1 NC	5

FORM mmyy-xxxx

Center Frame Backbone

[Back to TOC](#)



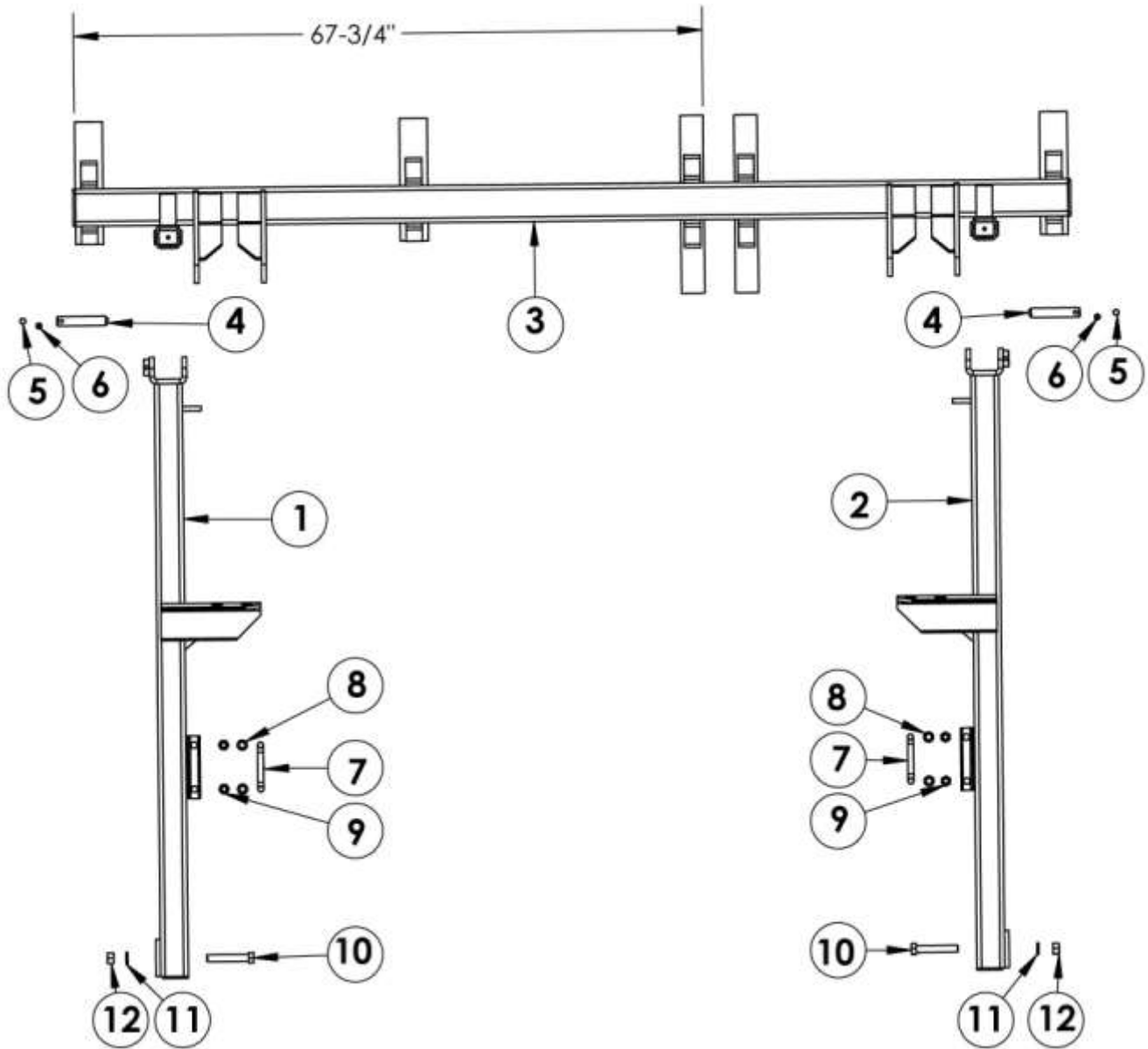
Center Frame Backbone

[Back to TOC](#)

Key	Part No.	Description	Qty
1	0410-186	LEAD ARM, LONG RH	1
2	0410-185	LEAD ARM, LONG LH	1
3	0410-004	BACKBONE 12' CENTER	1
4	8026-033	PIN	2
5	7112-066	CAP SCREW, 3/8 NC X 2-1/2	2
6	7722-110	LOCK NUT, NYLOCK, 3/8 NC	2
7	5214-002	5/8 U-BOLT	2
8	7844-020	LOCK WASHER, 5/8	4
9	7724-005	HEX NUT, 5/8 NC	4
10	7115-065	CAP SCREW, 3/4 NC X 4-1/2	2
11	7845-020	LOCK WASHER, 3/4"	2
12	7725-002	HEX NUT, 3/4 NC	2
		<small>FORM mmyy-xxxx</small>	

Inner Wing Backbone (RH)

[Back to TOC](#)



Inner Wing Backbone (RH)

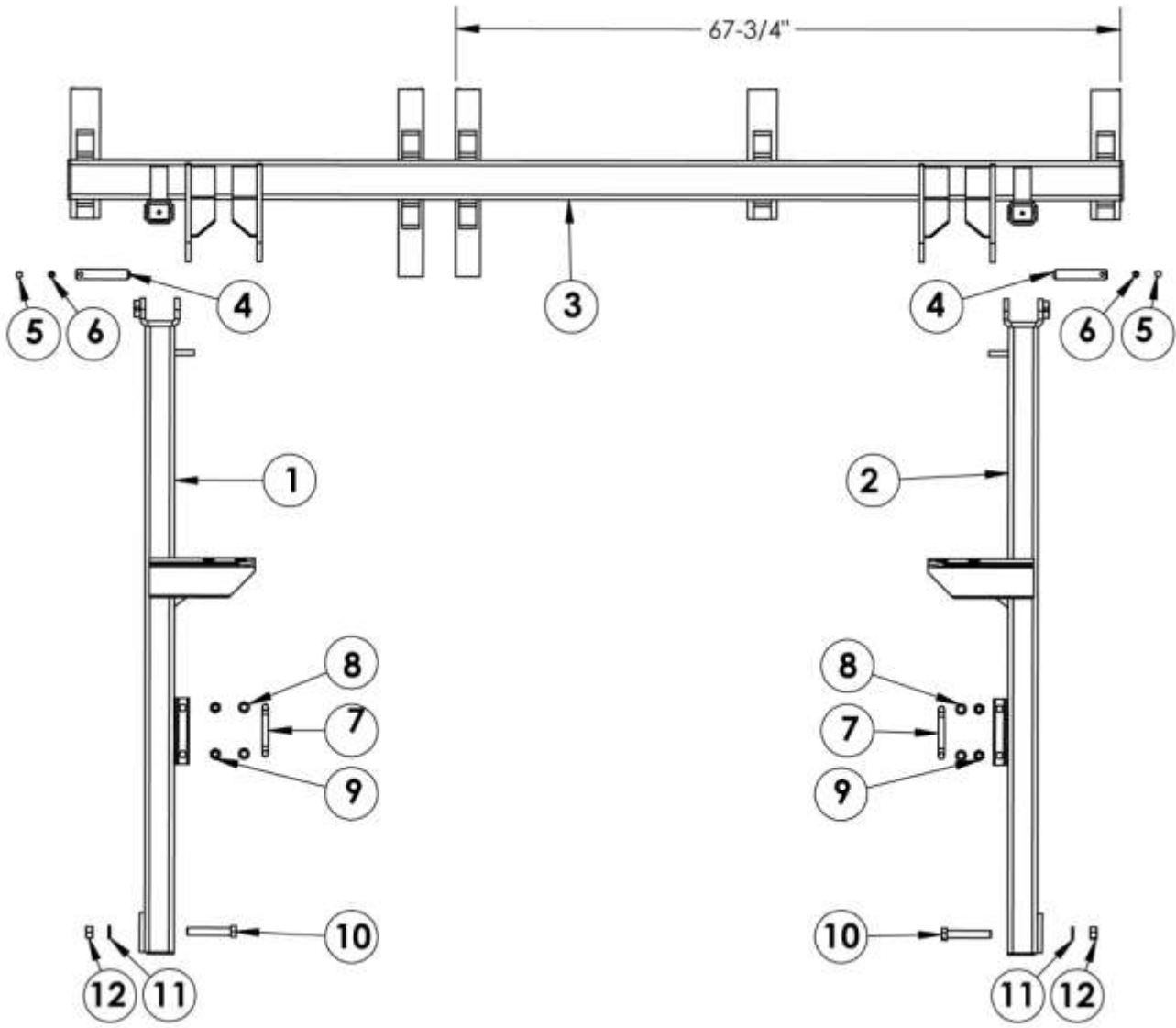
[Back to TOC](#)

Key	Part No.	Description	Qty
1	CW9-184	LEAD ARM, X-LONG, RH	1
2	CW9-183	LEAD ARM, X-LONG, LH	1
3	0410-005	BACKBONE 12' WING RH	1
4	8026-033	PIN	2
5	7112-066	CAP SCREW, 3/8 NC X 2-1/2	2
6	7722-110	LOCK NUT, NYLOCK, 3/8 NC	2
7	5214-002	5/8 U-BOLT	2
8	7844-020	LOCK WASHER, 5/8	4
9	7724-005	HEX NUT, 5/8 NC	4
10	7115-065	CAP SCREW, 3/4 NC X 4-1/2	2
11	7845-020	LOCK WASHER, 3/4"	2
12	7725-002	HEX NUT, 3/4 NC	2

FORM mmyy-xxxx

INNER WING BACKBONE (LH)

[Back to TOC](#)



Inner Wing Backbone (LH)

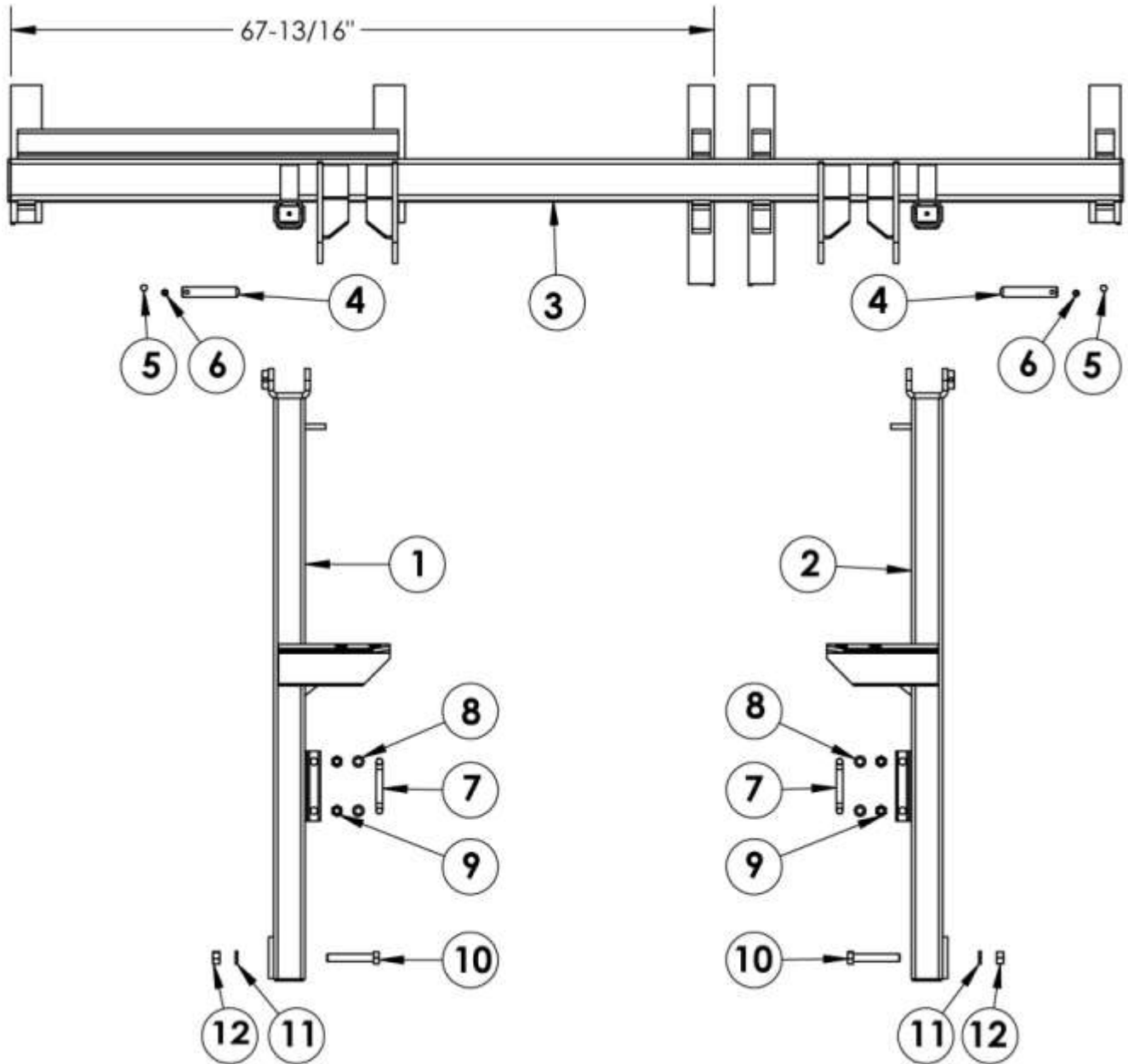
[Back to TOC](#)

Key	Part No.	Description	Qty
1	CW9-184	LEAD ARM, X-LONG, RH	1
2	CW9-183	LEAD ARM, X-LONG, LH	1
3	0410-068	BACKBONE 12' WING LH	1
4	8026-033	PIN	2
5	7112-066	CAP SCREW, 3/8 NC X 2-1/2	2
6	7722-110	LOCK NUT, NYLOCK, 3/8 NC	2
7	5214-002	5/8 U-BOLT	2
8	7844-020	LOCK WASHER, 5/8	4
9	7724-005	HEX NUT, 5/8 NC	4
10	7115-065	CAP SCREW, 3/4 NC X 4-1/2	2
11	7845-020	LOCK WASHER, 3/4"	2
12	7725-002	HEX NUT, 3/4 NC	2

FORM mmyy-xxxx

Outer Wing Backbone (RH)

[Back to TOC](#)



Outer Wing Backbone (RH)

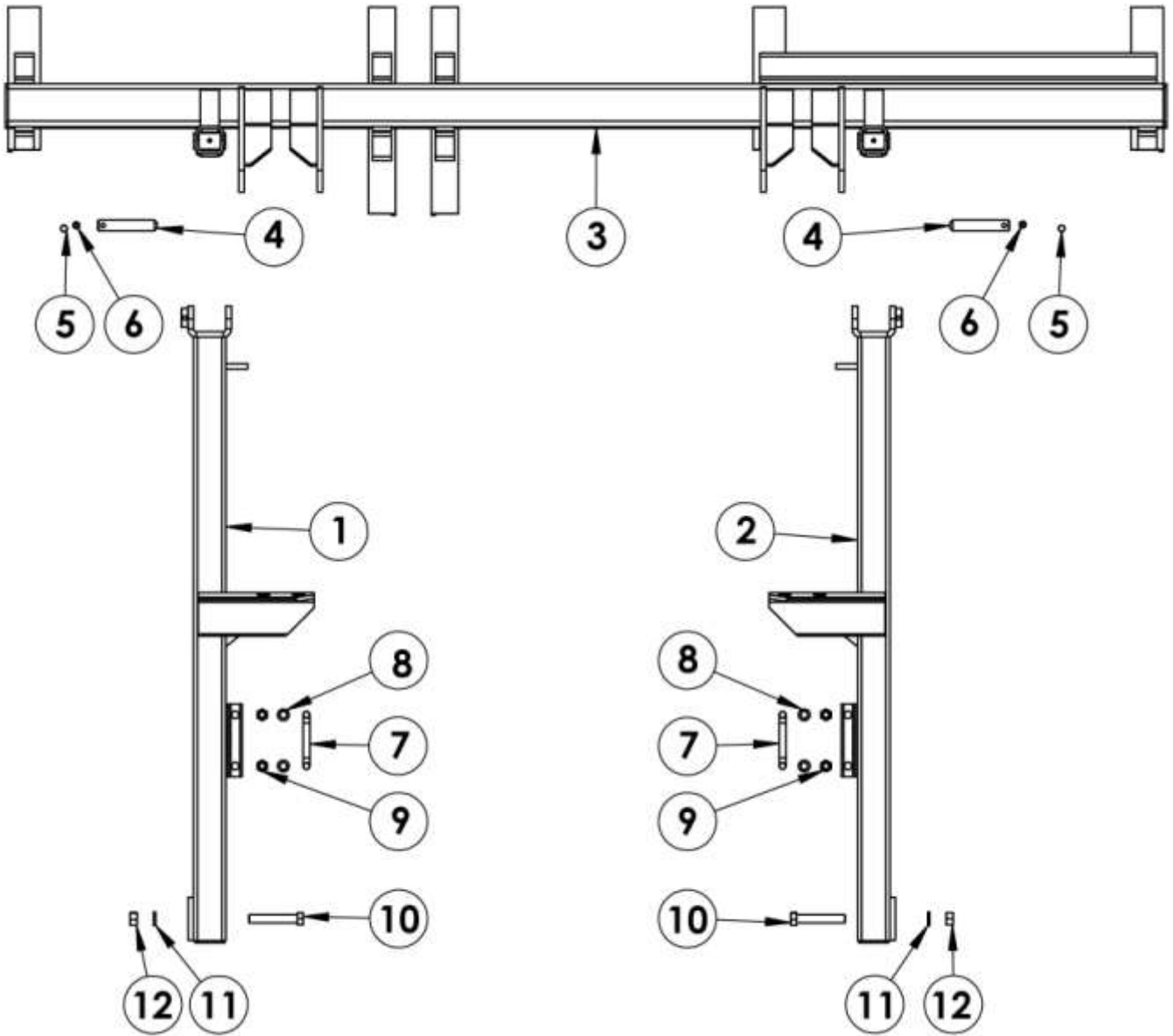
[Back to TOC](#)

Key	Part No.	Description	Qty
1	0410-184	LEAD ARM, SHORT RH	1
2	0410-183	LEAD ARM, SHORT LH	1
3	0415-052	BACKBONE, 12' OUTER WING, RH	1
4	8026-033	PIN	2
5	7112-066	CAP SCREW, 3/8 NC X 2-1/2	2
6	7722-110	LOCK NUT, NYLOCK, 3/8 NC	2
7	5214-002	5/8 U-BOLT	2
8	7844-020	LOCK WASHER, 5/8	4
9	7724-005	HEX NUT, 5/8 NC	4
10	7115-065	CAP SCREW, 3/4 NC X 4-1/2	2
11	7845-020	LOCK WASHER, 3/4"	2
12	7725-002	HEX NUT, 3/4 NC	2

FORM mmyy-xxxx

OUTER WING BACKBONE (LH)

[Back to TOC](#)



Outer Wing Backbone (LH)

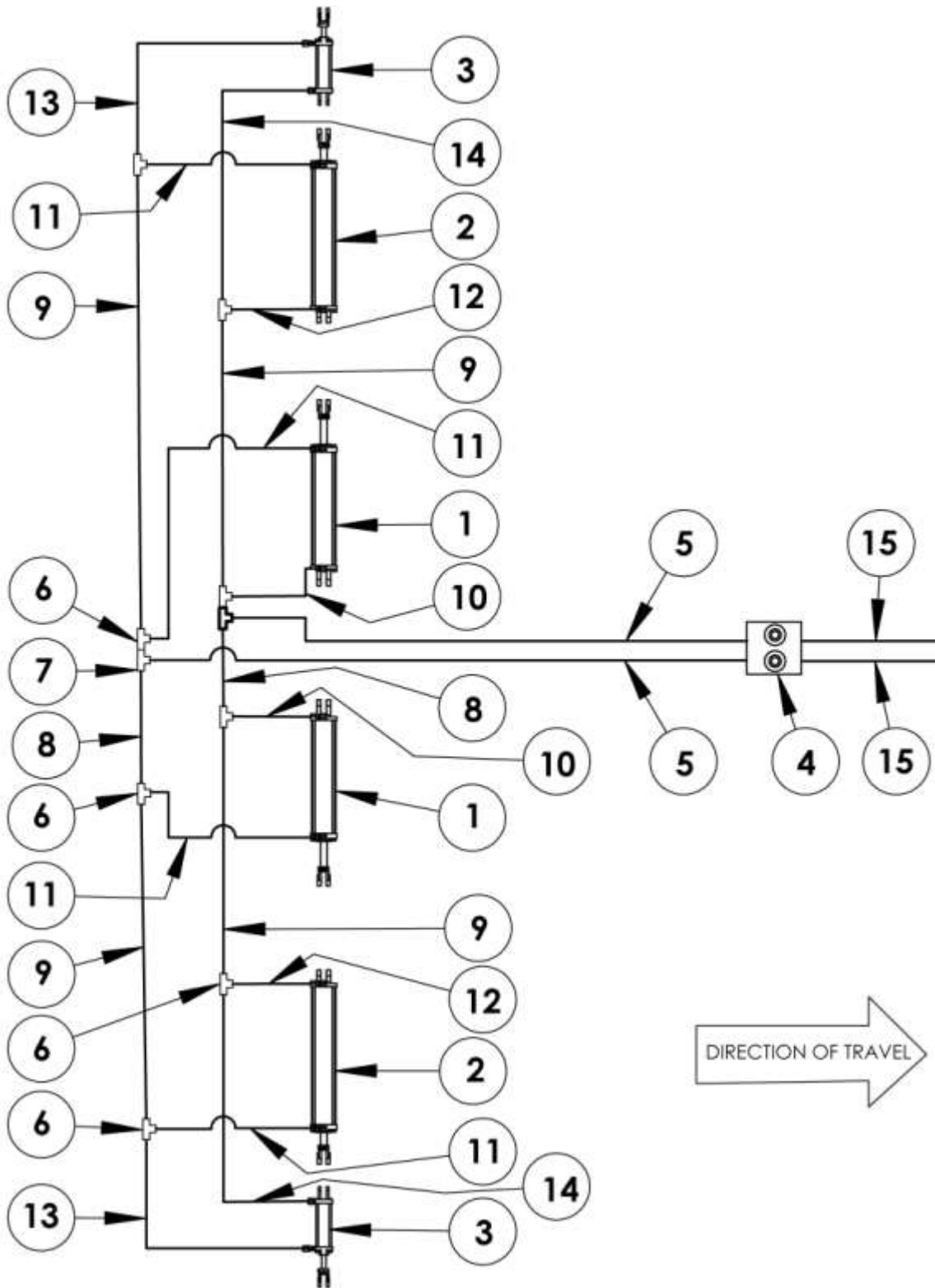
[Back to TOC](#)

Key	Part No.	Description	Qty
1	0410-184	LEAD ARM, SHORT RH	1
2	0410-183	LEAD ARM, SHORT LH	1
3	0415-110	BACKBONE, 12' OUTER WING, LH	1
4	8026-033	PIN	2
5	7112-066	CAP SCREW, 3/8 NC X 2-1/2	2
6	7722-110	LOCK NUT, NYLOCK, 3/8 NC	2
7	5214-002	5/8 U-BOLT	2
8	7844-020	LOCK WASHER, 5/8	4
9	7724-005	HEX NUT, 5/8 NC	4
10	7115-065	CAP SCREW, 3/4 NC X 4-1/2	2
11	7845-020	LOCK WASHER, 3/4"	2
12	7725-002	HEX NUT, 3/4 NC	2

FORM mmyy-xxxx

Hydraulic Wing Lift Overview

[Back to TOC](#)



Hydraulic Wing Lift Overview Components

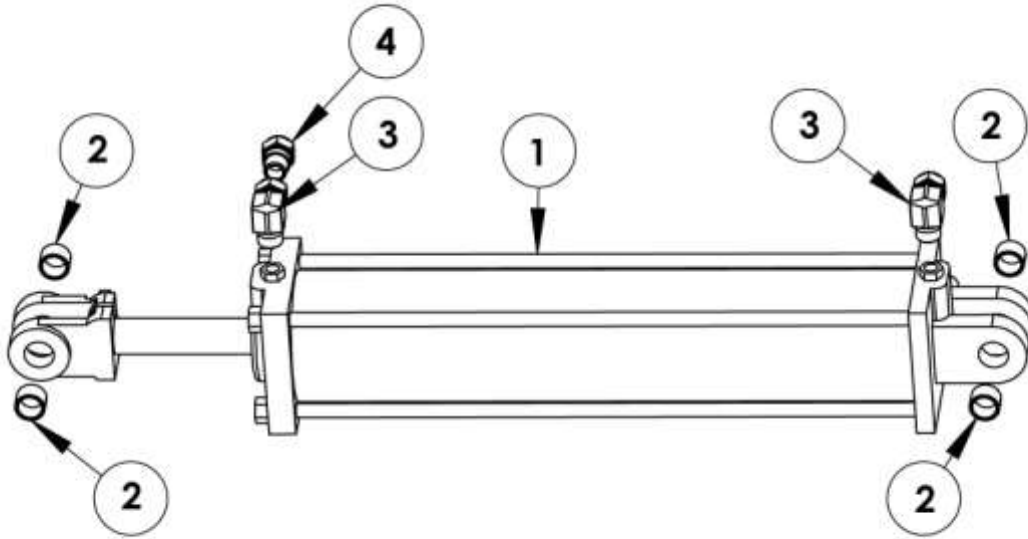
[Back to TOC](#)

Key	Part No.	Description	Qty
1	5818-610	CYLINDER, 5 X 24 SAE	2
2	5818-615	CYLINDER, 5 X 30 SAE	2
3	5818-600	CYLINDER, 3 X 8 SAE	2
4	5859-105	VALVE BLOCK FOR STIFF TONGUE	1
5	6838-096	HOSE, 3/8 X 96", 1/2MM NPT -100R2T	2
6	5843-217	HYD-ADP, 1/2 FNPT SW-TEE	8
7	5843-214	1/2 MALE RUN TEE	2
8	6838-056	HOSE, 3/8 X 56", 1/2MM NPT -100R2T	2
9	6838-113	HOSE, 3/8 X 113", 1/2MM NPT -100R2T	4
10	6838-026	HOSE, 3/8 X 26", 1/2MM NPT -100R2T	2
11	6838-036	HOSE, 3/8 X 36", 1/2MM NPT -100R2T	4
12	6838-022	HOSE, 3/8 X 22", 1/2MM NPT -100R2T	2
13	6838-083	HOSE, 3/8 X 83", 1/2MM NPT -100R2T	2
14	6838-092	HOSE, 3/8 X 92", 1/2MM NPT -100R2T	2
15	6838-204	HOSE, 3/8 X 204", 1/2MM NPT -100R2T	2

FORM mmyy-xxxx

Hydraulic Wing Lift Details, Center

[Back to TOC](#)



Hydraulic Wing Lift Details, Center Components

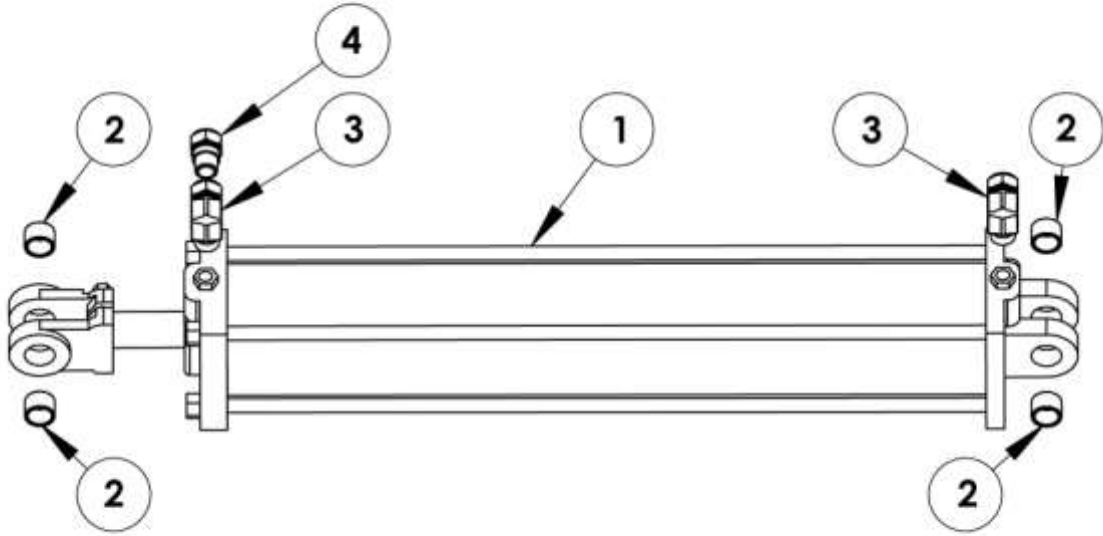
[Back to TOC](#)

Key	Part No.	Description	Qty
1	5818-610	CYLINDER, 5 X 24 SAE	2
2	5818-030	BUSHING, CLEVIS PIN, FOR 5 x 24, 5 x 30 CYLINDERS	4
3	5846-096	HYD-ADP, #10 MORB - 1/2 FPT SW 90	2
4	5843-451	1/2 RESTRICTOR UNION 1/16 ORIFICE	1

FORM mmyy-xxxx

Hydraulic Wing Lift Details, Inner

[Back to TOC](#)



Hydraulic Wing Lift Details, Inner Components

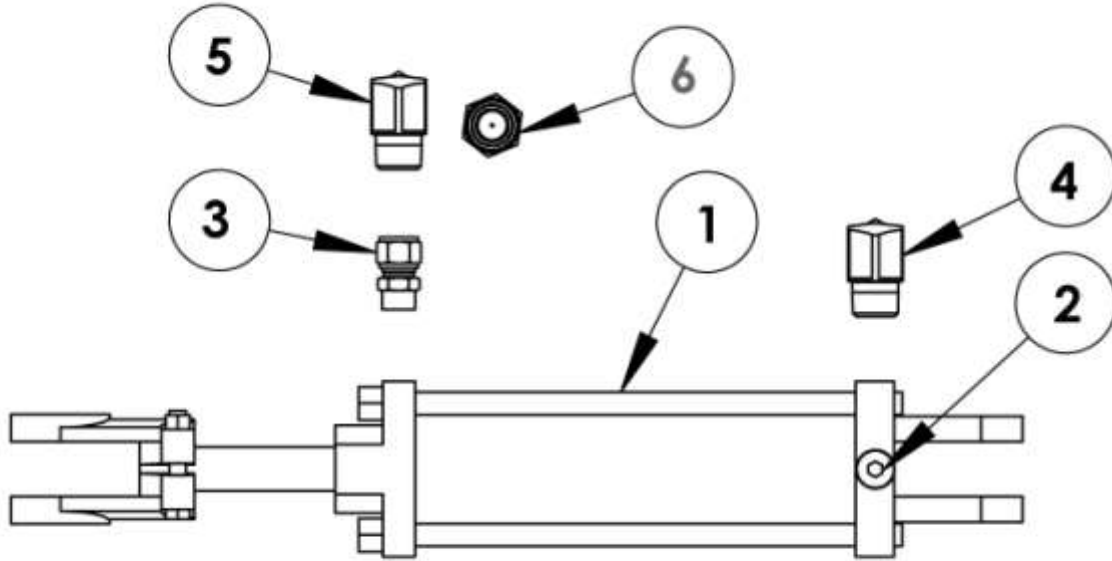
[Back to TOC](#)

Key	Part No.	Description	Qty
1	5818-615	CYLINDER, 5 X 30 SAE	2
2	5818-030	BUSHING, CLEVIS PIN, FOR 5 x 24, 5 x 30 CYLINDERS	4
3	5846-096	HYD-ADP, #10 MORB - 1/2 FPT SW 90	2
4	5843-451	1/2 RESTRICTOR UNION 1/16 ORIFICE	1

FORM mmyy-xxxx

Outer Wing Lift Cylinder Detail

[Back to TOC](#)



Outer Wing Lift Cylinder Detail Components

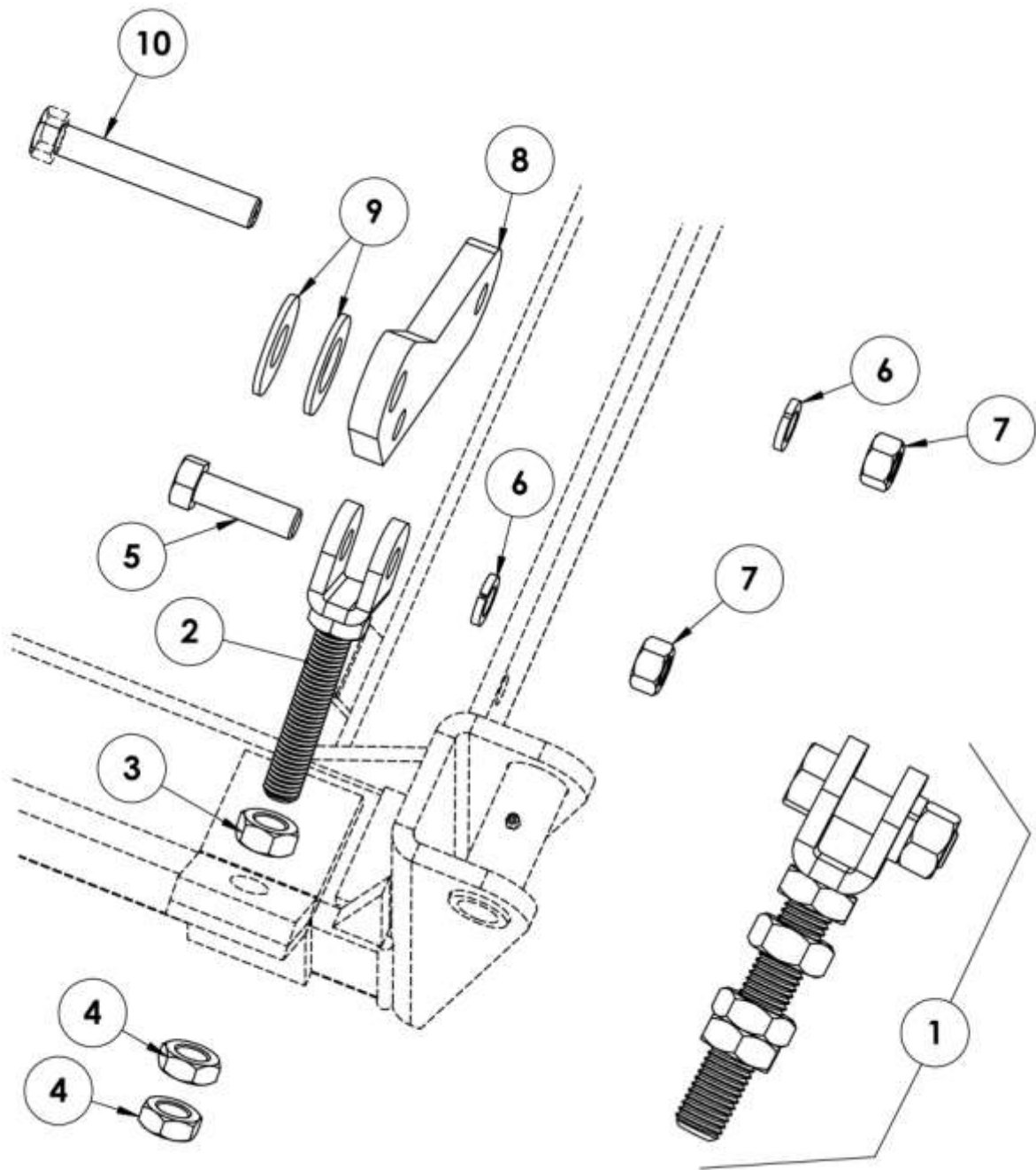
[Back to TOC](#)

Key	Part No.	Description	Qty
1	5818-600	CYLINDER, 3 X 8 SAE	2
2	5818-033	#8 ORB HALF HEIGHT PLUG	2
3	5843-402	1/2 O-RING SWIVEL UNION	2
4	5843-460	1/2 90 DEGREE SWIVEL UNION	2
5	5846-095	HYD-ADP, #8 MORB - 1/2 FPT SW 90	2
6	5843-451	1/2 RESTRICTOR UNION 1/16 ORIFICE	2

FORM mmyy-xxxx

Adjustable Linkage ASSY

[Back to TOC](#)



Adjustable Linkage ASSY Components

[Back to TOC](#)

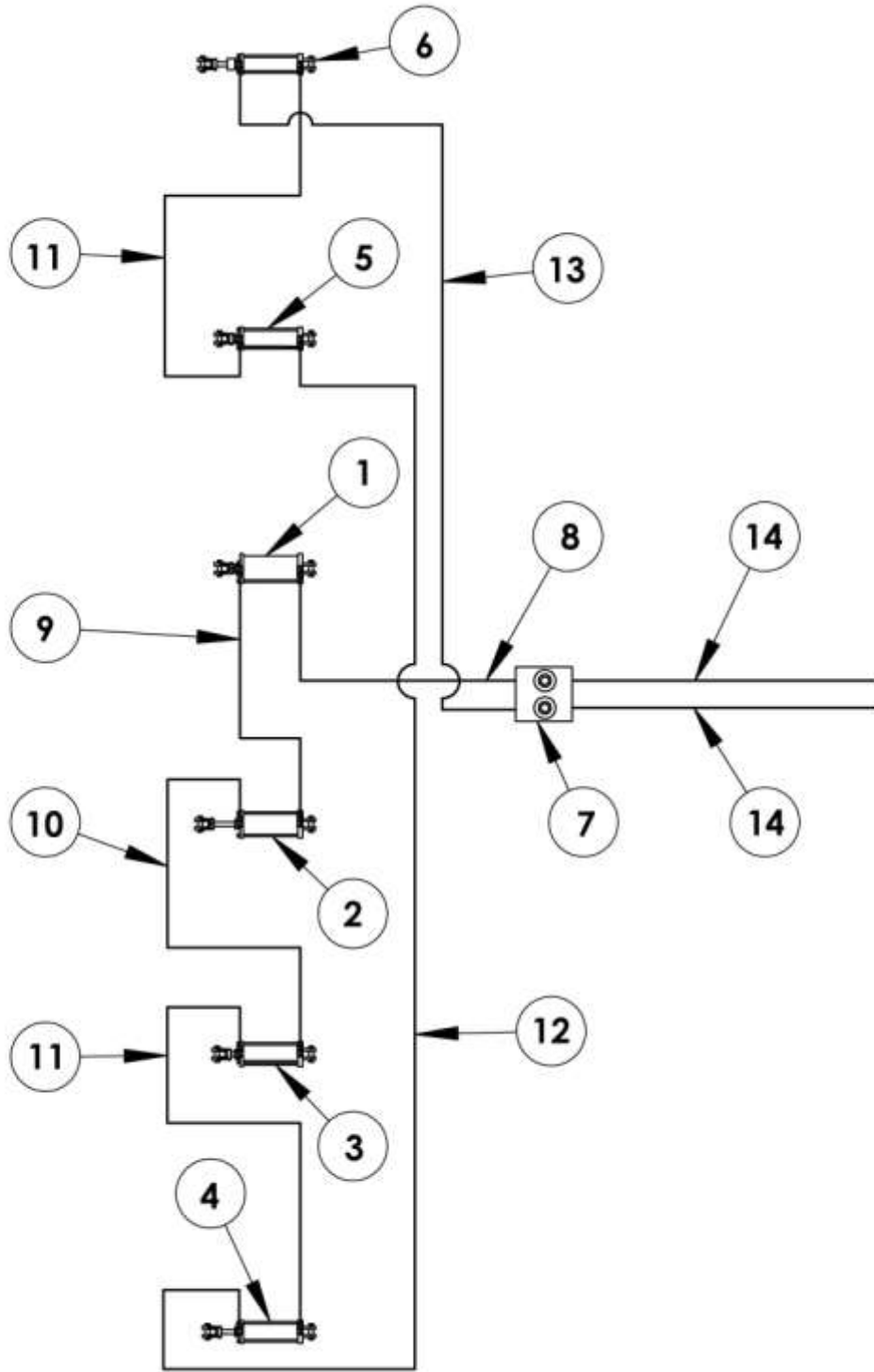
Key	Part No.	Description	Qty
1	0410-581	ADJUSTABLE LINKAGE KIT WITH 7/8 SHAFT	1
2	0410-121	ADJUSTABLE LINK, 7/8"	1
3	7715-871	HEX NUT, 7/8 NC	1
4	7725-138	JAM NUT, 7/8 NC	2
5	7115-025	CAP SCREW, 3/4 NC X 2-1/2	1
6	7845-020	LOCK WASHER, 3/4"	2
7	7725-002	HEX NUT, 3/4 NC	2
8	0400-025	CYLINDER PIVOT ARM	1
9	7816-020	CUT WASHER, 1	2
10	7115-050	CAP SCREW, 3/4 NC X 5	1

FORM mmyy-xxxx

- ITEM 9 WASHERS ARE POSITIONED AWAY FROM HINGE

Hydraulic Whl Leg Overview

[Back to TOC](#)



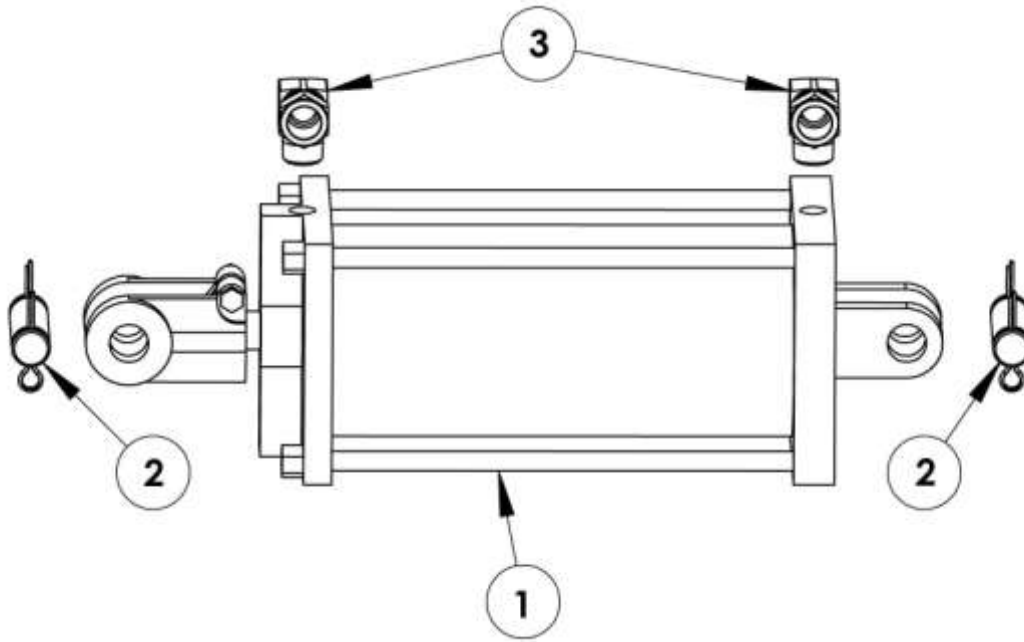
Hydraulic Whl Leg Overview Components

[Back to TOC](#)

Key	Part No.	Description	Qty
1	5819-061	CYLINDER, 5 " X 8" REPHASE	1
2	5819-060	CYLINDER, 4-3/4 X 8 REPHASE	1
3	5819-059	CYLINDER, 4-1/2 X 8 REPHASE	1
4	5819-058	CYLINDER, 4 X 8 REPHASE	1
5	5819-057	CYLINDER, 3-3/4 X 8 REPHASE	1
6	5819-056	CYLINDER, 3-1/2 X 8 REPHASE	1
7	5859-105	VALVE BLOCK FOR STIFF TONGUE	1
8	6850-112	HOSE, 1/2 X 112", 1/2MM NPT -100R2T	1
9	6850-144	HOSE, 1/2 X 144", 1/2MM NPT -100R2T	1
10	6850-165	HOSE, 1/2 X 165", 1/2MM NPT -100R2T	1
11	6850-149	HOSE, 1/2 X 149", 1/2MM NPT -100R2T	2
12	6850-565	HOSE, 1/2 X 565", 1/2MM NPT -100R2T	1
13	6850-398	HOSE, 1/2 X 398", 1/2MM NPT -100R2T	1
14	6850-204	HOSE, 1/2 X 204", 1/2MM NPT -100R2T	2
FORM mmyy-xxxx			

Hydraulic Whl Leg Detail, 5819-061

[Back to TOC](#)



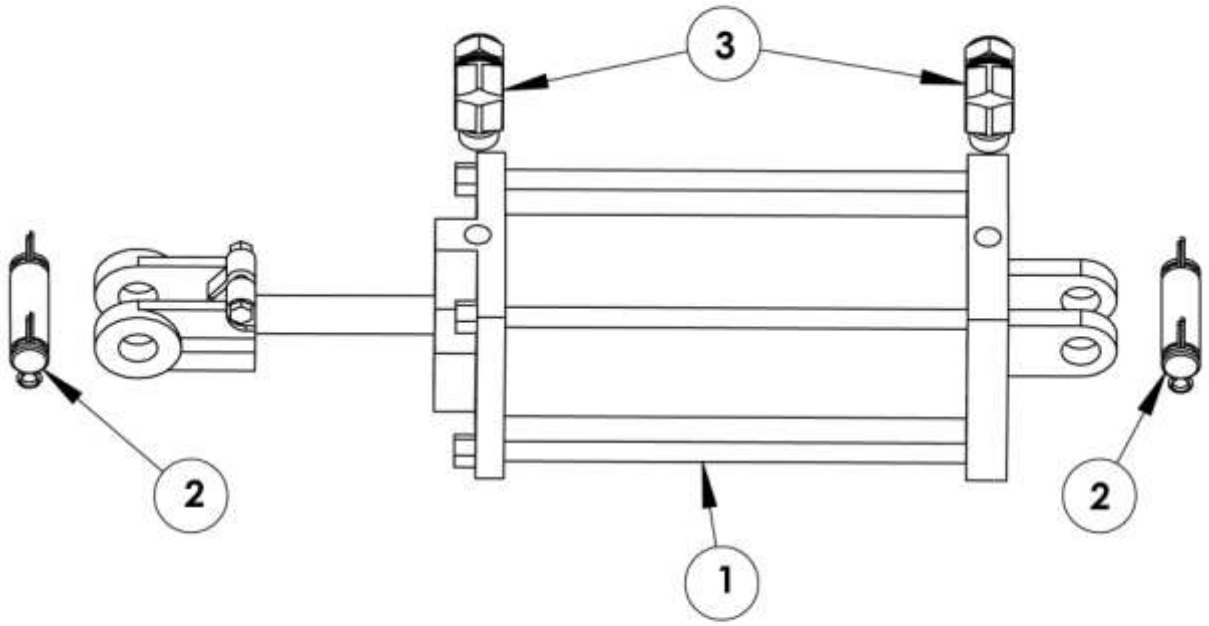
Hydraulic Whl Leg Detail 5819-061 Components

[Back to TOC](#)

Key	Part No.	Description	Qty
1	5819-061	CYLINDER, 5 " X 8" REPHASE	1
2	5832-003	CLEVIS PIN KIT, 1" OD x 3.5" (2 PINS & 4 CLIPS)	1
3	5846-095	HYD-ADP, #8 MORB - 1/2 FPT SW 90	2
			FORM mmyy-xxxx

Hydraulic Whl Leg Detail, 5819-060

[Back to TOC](#)



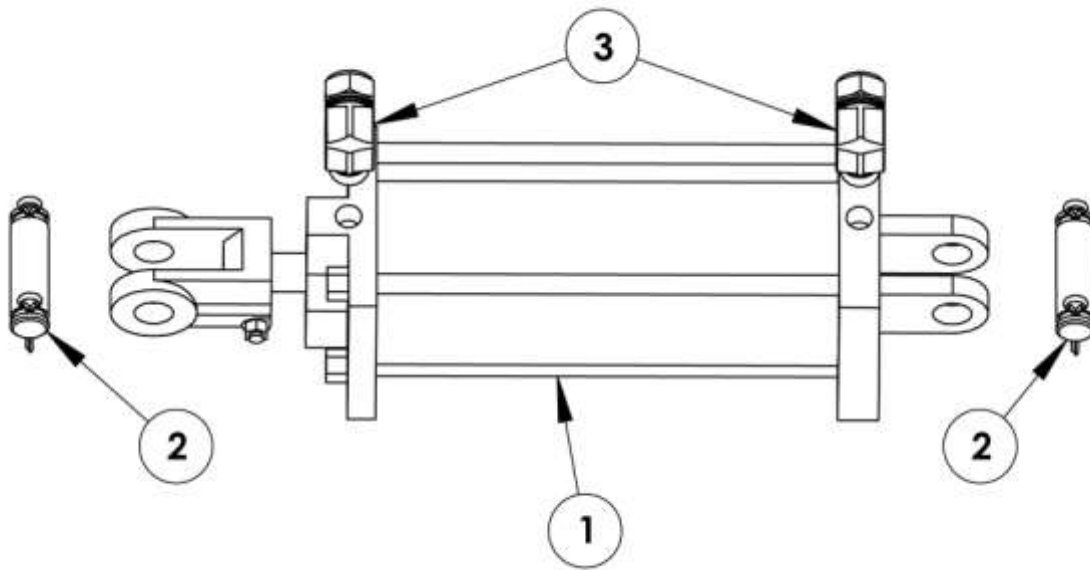
Hydraulic Whl Leg Detail 5819-060 Components

[Back to TOC](#)

Key	Part No.	Description	Qty
1	5819-060	CYLINDER, 4-3/4 X 8 REPHASE	1
2	5832-003	CLEVIS PIN KIT, 1" OD x 3.5" (2 PINS & 4 CLIPS)	1
3	5846-095	HYD-ADP, #8 MORB - 1/2 FPT SW 90	2
			FORM mmyy-xxxx

Hydraulic Whl Leg Detail, 5819-059

[Back to TOC](#)



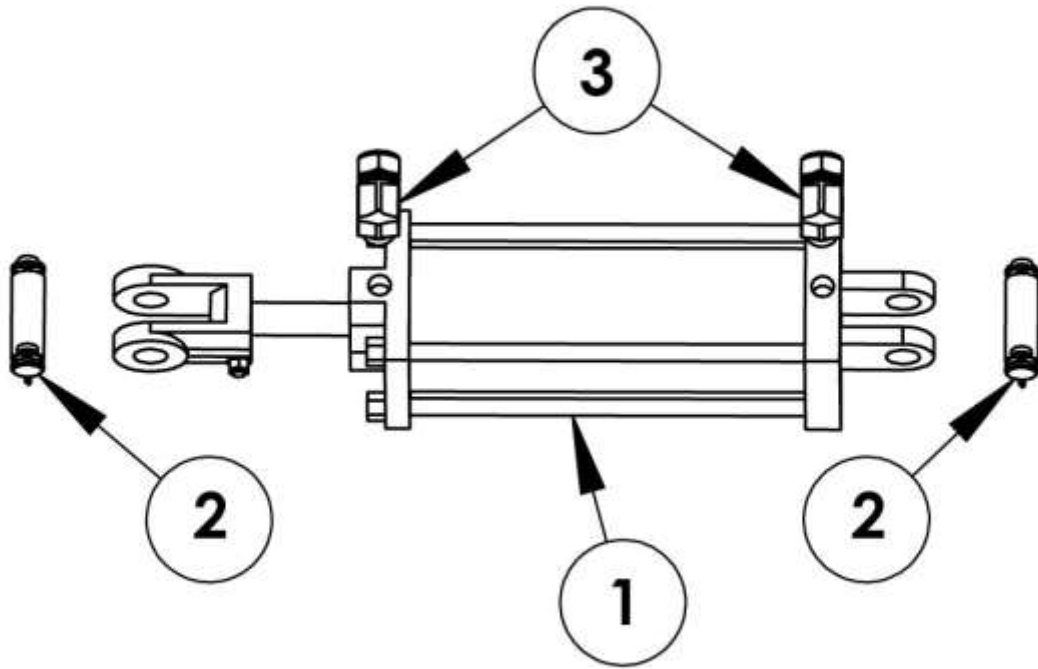
Hydraulic Whl Leg Detail 5819-059 Components

[Back to TOC](#)

Key	Part No.	Description	Qty
1	5819-059	CYLINDER, 4-1/2 X 8 REPHASE	1
2	5832-003	CLEVIS PIN KIT, 1" OD x 3.5" (2 PINS & 4 CLIPS)	1
3	5846-095	HYD-ADP, #8 MORB - 1/2 FPT SW 90	2
			FORM mmyy-xxxx

Hydraulic Whl Leg Detail, 5819-058

[Back to TOC](#)



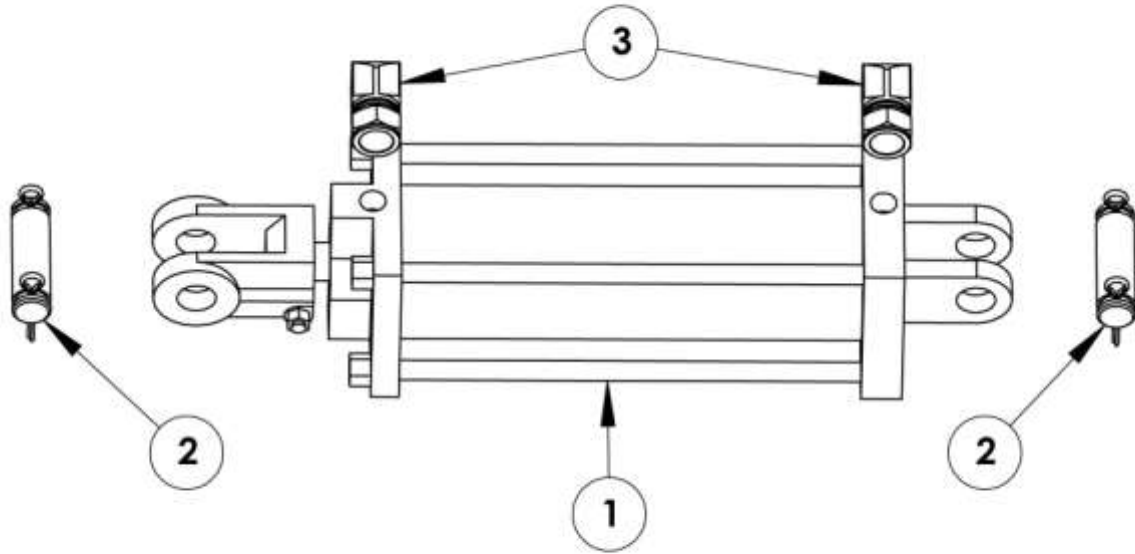
HYDRAULIC WHL LEG DETAIL 5819-058 Components

[Back to TOC](#)

Key	Part No.	Description	Qty
1	5819-058	CYLINDER, 4 X 8 REPHASE	1
2	5832-003	CLEVIS PIN KIT, 1" OD x 3.5" (2 PINS & 4 CLIPS)	1
3	5846-095	HYD-ADP, #8 MORB - 1/2 FPT SW 90	2
			FORM mmyy-xxxx

Hydraulic Whl Leg Detail, 5819-057

[Back to TOC](#)



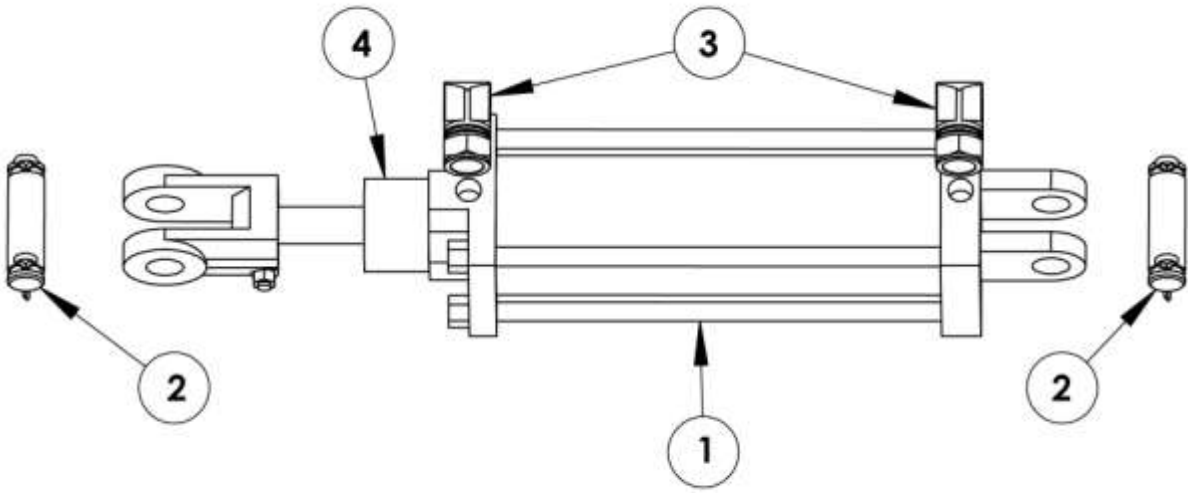
Hydraulic Whl Leg Detail 5819-057 Components

[Back to TOC](#)

Key	Part No.	Description	Qty
1	5819-058	CYLINDER, 4 X 8 REPHASE	1
2	5832-003	CLEVIS PIN KIT, 1" OD x 3.5" (2 PINS & 4 CLIPS)	1
3	5846-095	HYD-ADP, #8 MORB - 1/2 FPT SW 90	2
			FORM mmyy-xxxx

Hydraulic Whl Leg Detail, 5819-056

[Back to TOC](#)



HYDRAULIC WHL LEG DETAIL 5819-056 Components

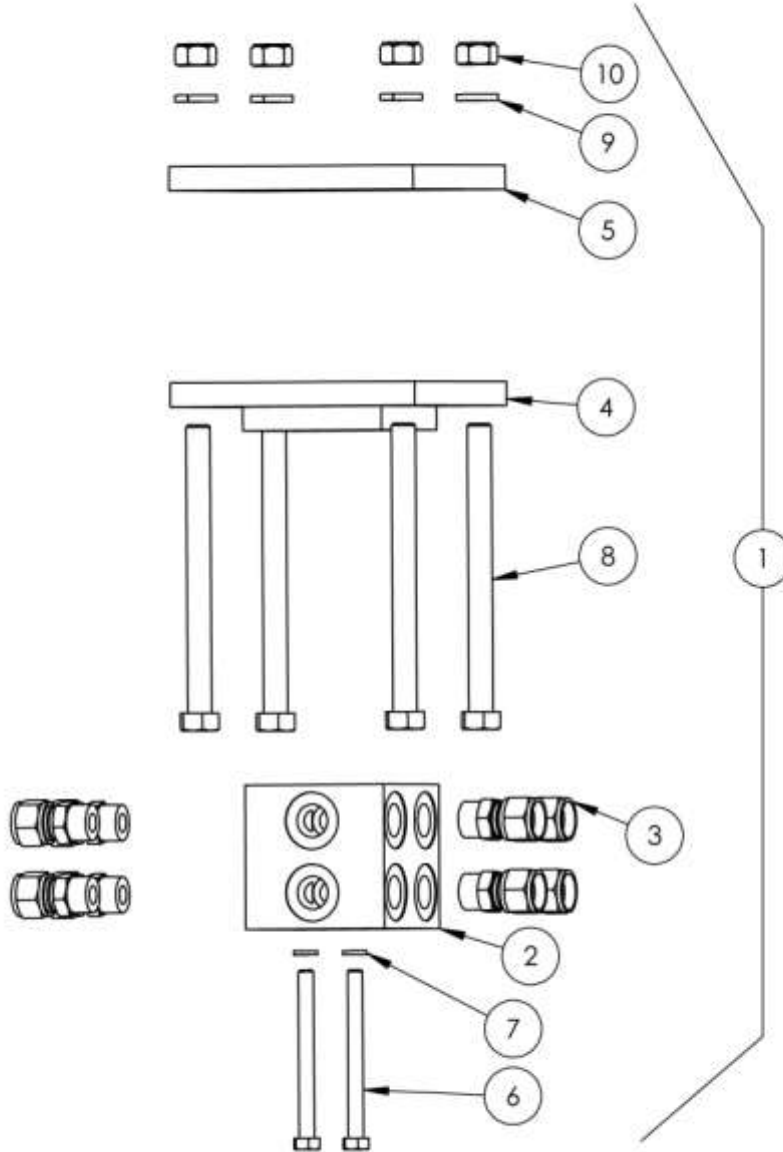
[Back to TOC](#)

Key	Part No.	Description	Qty
1	5819-056	CYLINDER, 3-1/2 X 8 REPHASE	1
2	5832-003	CLEVIS PIN KIT, 1" OD x 3.5" (2 PINS & 4 CLIPS)	1
3	5846-095	HYD-ADP, #8 MORB - 1/2 FPT SW 90	2
4	6146-013	CYLINDER BUSHING-STL, 1-3/4"	1

FORM mmyy-xxxx

Hydraulic Manifold ASSY

[Back to TOC](#)



Hydraulic Manifold ASSY COMPONENTS

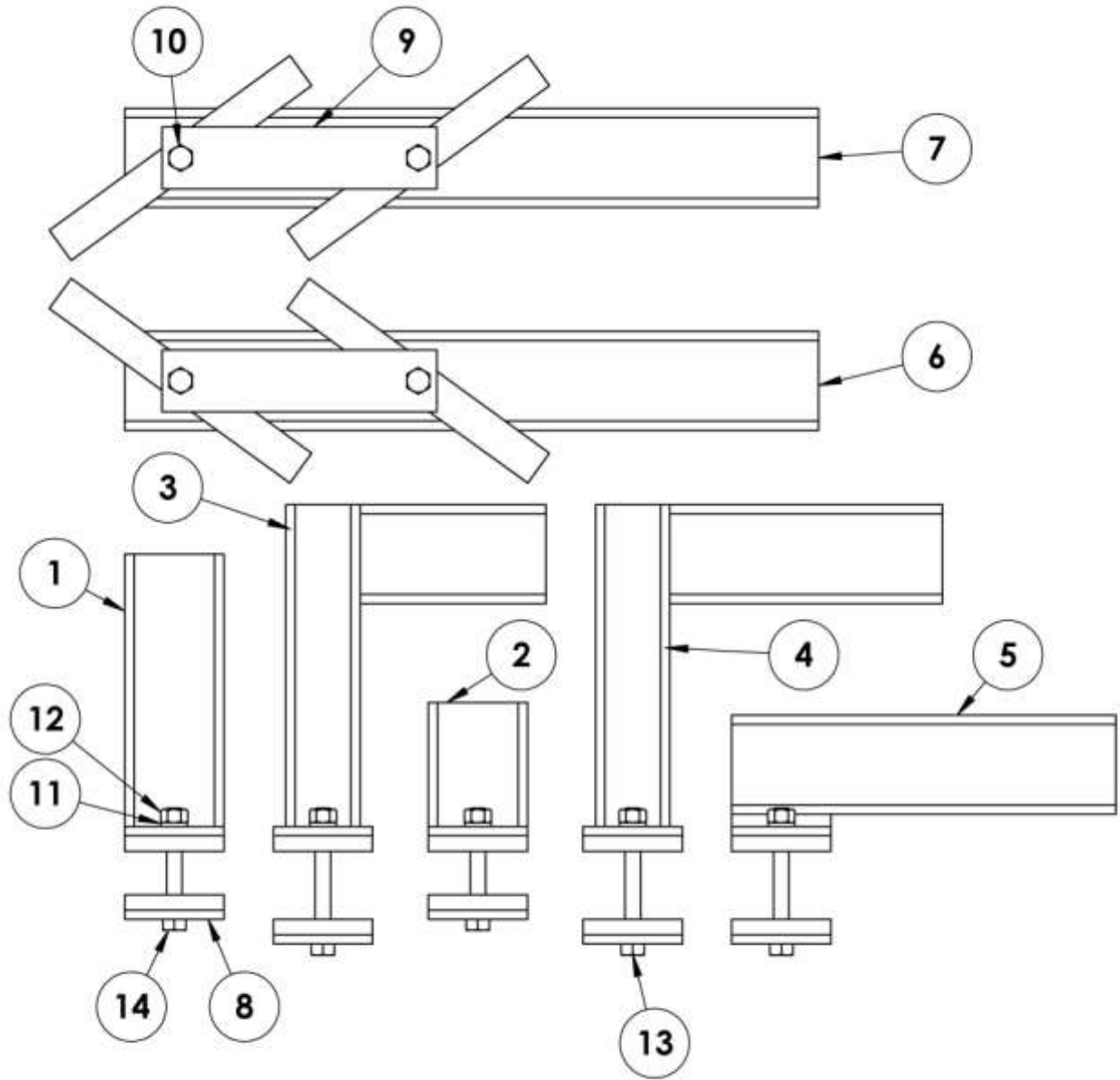
[Back to TOC](#)

Key	Part No.	Description	Qty
1	0415-105	HYDRAULIC MNT ASSY	1
2	5859-105	VALVE BLOCK FOR STIFF TONGUE	1
3	5843-402	1/2 O-RING SWIVEL UNION	8
4	0415-104	HYD BLOCK MOUNT	1
5	0415-095	BASE PLATE	1
6	7111-035	CAP SCREW, 5/16 NC X 3-1/2	2
7	7041-015	LOCK WASHER 5/16 MEDIUM	2
8	7113-135	CAP SCREW, 1/2 NC X 6	4
9	7843-015	LOCK WASHER, 1/2	4
10	7723-015	HEX NUT, 1/2 NC	4

FORM mmyy-xxxx

Shank Mounts

[Back to TOC](#)



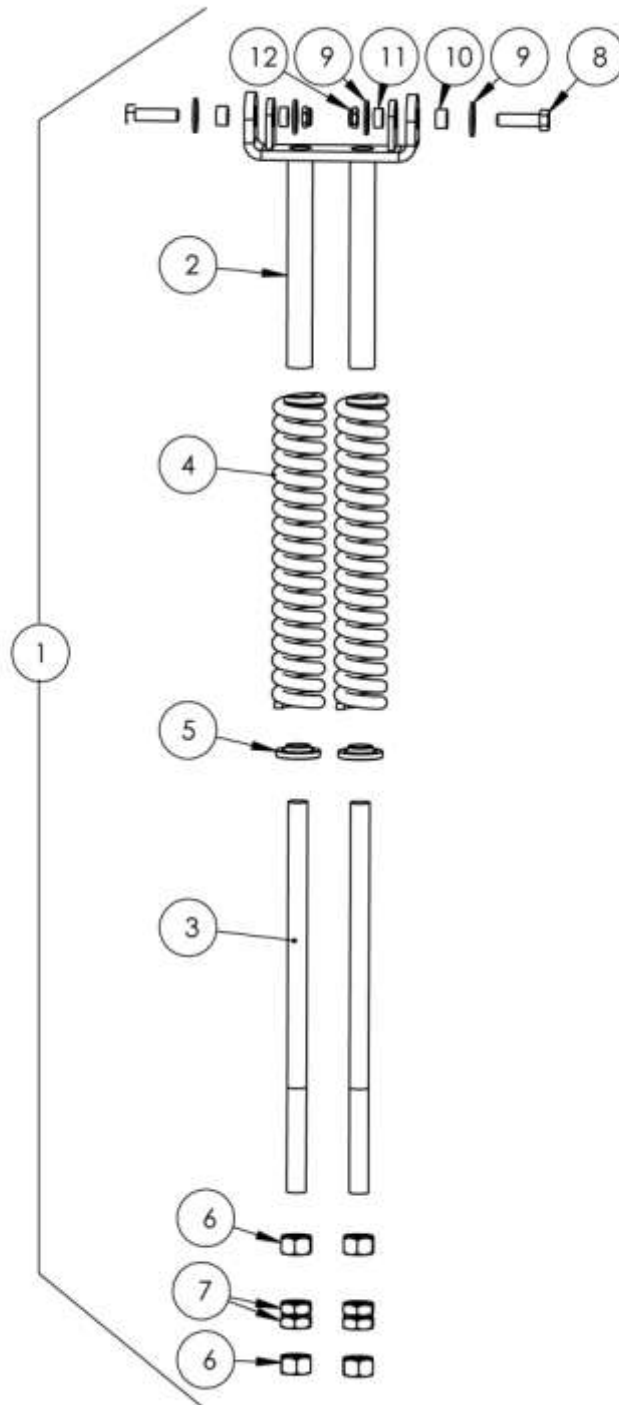
Shank Mounts Components

[Back to TOC](#)

Key	Part No.	Description	Qty
1	0400-053	SHANK MOUNT, WING EXT. 11	2
2	0400-064	SHANK MOUNT, 5"	2
3	0410-069	SHANK MOUNT 90 DEG FRAME	2
4	0410-109	SHANK MOUNT 15-1/2	2
5	0410-157	SHANK MOUNT	4
6	CW9-062	SHANK MOUNT, TONGUE, RH	1
7	CW9-061	SHANK MOUNT, TONGUE, LH	1
8	0410-079	BASE PLATE	12
9	CW9-068	BACKING PLATE, 9" SPAN	2
10	7114-080	CAP SCREW, 5/8 NC X 8	4
11	7844-020	LOCK WASHER, 5/8	20
12	7724-005	HEX NUT, 5/8 NC	20
13	7114-055	CAP SCREW, 5/8 NC X 5-1/2	16
14	7114-045	CAP SCREW, 5/8 NC X 4-1/2	4
FORM mmyy-xxxx			

Spring Cushion ASSY

[Back to TOC](#)



Spring Cushion ASSY Components

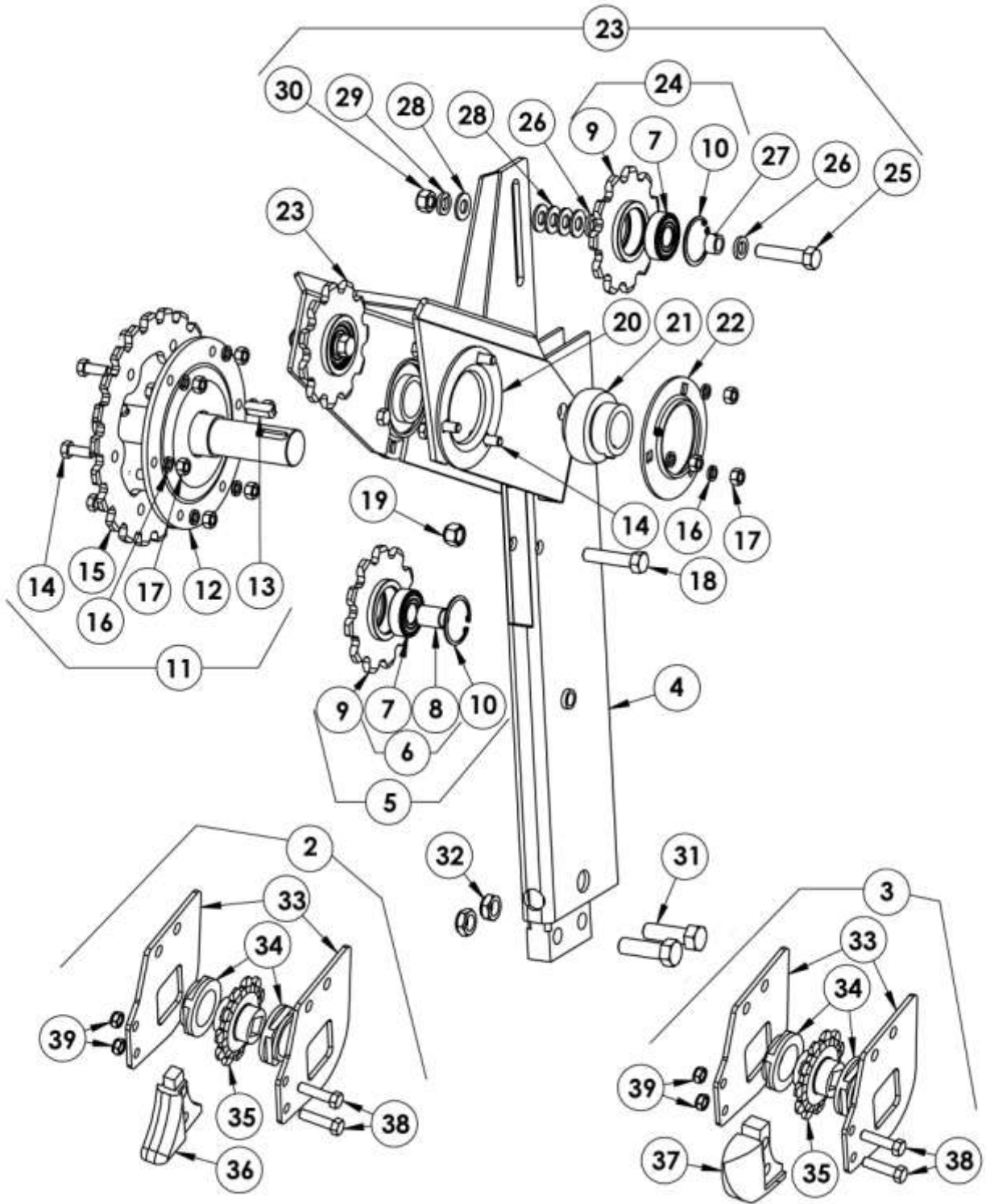
[Back to TOC](#)

Key	Part No.	Description	Qty
1	0410-527	SPRING CUSHION ASSY, CW	1
2	0410-040	SPRING GUIDE	1
3	CW9-017	SPRING ROD	2
4	5114-001	SPRING, SPRING CUSHION	2
5	8816-001	WASHER, SPRING RETAINER	2
6	7726-005	HEX NUT, 1 NC	4
7	7726-015	JAM NUT, 1 NC	4
8	7114-111	CAP SCREW, 5/8 NC X 2-1/4 GR. 8	2
9	7814-015	FLAT WASHER, 5/8	4
10	6143-007	BUSHING	2
11	6144-001	BUSHING	2
12	7723-119	LOCK NUT, 5/8 NC HALF HEIGHT	2

FORM mmyy-xxxx

BOOT DRIVE ASSY

[Back to TOC](#)



BOOT DRIVE ASSY COMPONENTS

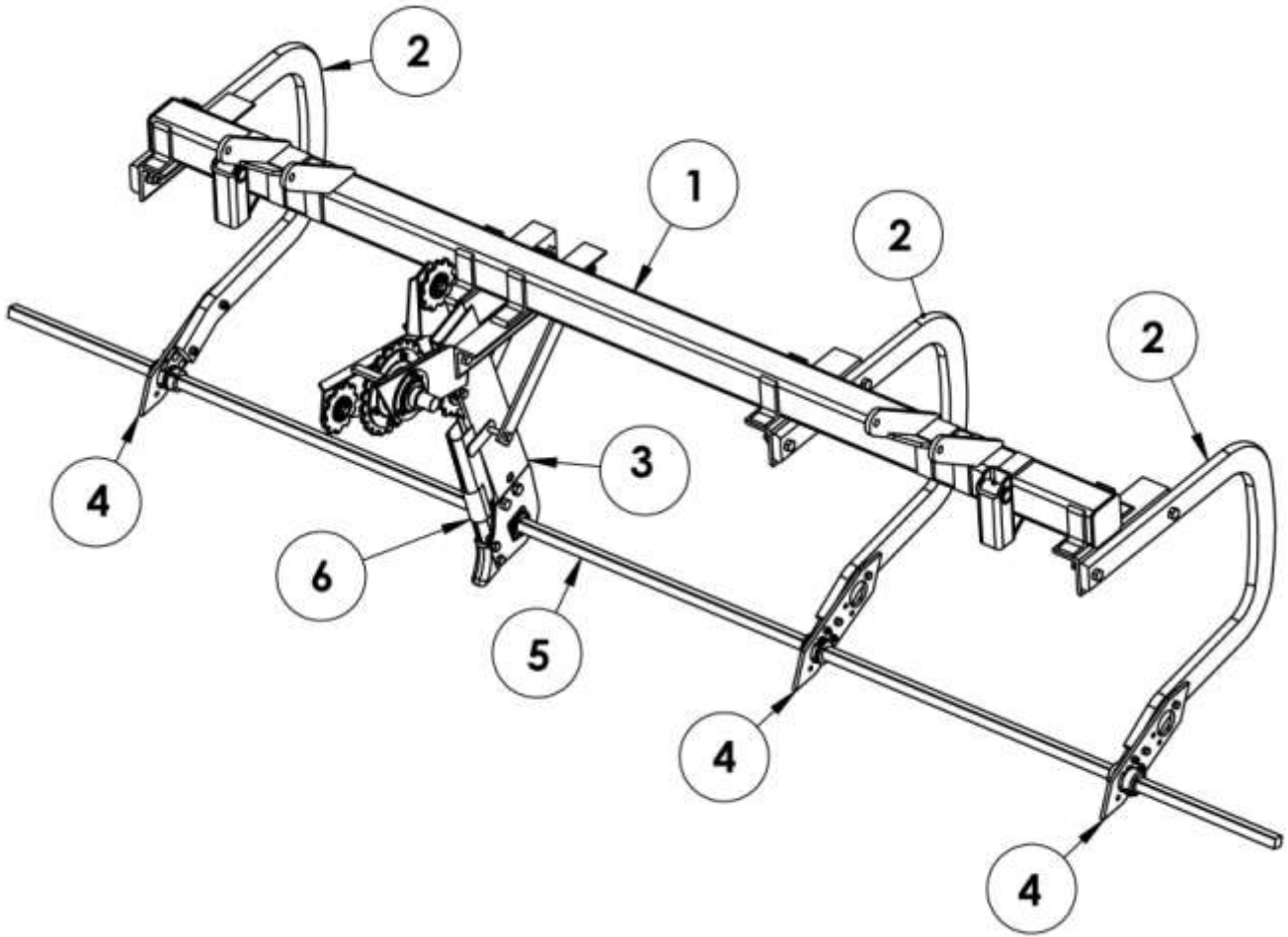
[Back to TOC](#)

Key	Part No.	Description	Qty
1	0410-524	BOOT ASSY w/ HC STD POINT	1
	0410-545	BOOT ASSY w/ HC ROCK POINT	
2	0103-509	BOOT BOTTOM ASSY H.C. STANDARD	1
3	0103-510	BOOT BOTTOM ASSY H.C. W/6 WIDE ROCK	1
4	0410-181	BOOT WELDMENT	1
5	6919-684	DRIVE SPROCKET ASSY IDLER	1
6	6449-020	BEARING W/BUSHING	1
7	5449-020	BEARING, IDLER SPROCKET	3
8	6135-999	BUSHING	1
9	5919-484	SPROCKET, IDLER 11-TOOTH-STEEL	3
10	5489-002	SNAP RING	3
11	0415-190	SPLIT SPROCKET ASSY	1
12	0106-185	SHAFT HUB, SPLIT SPROCKET	1
13	7932-114	SQ KEY, 3/8" x 1.25"	2
14	7112-055	CAP SCREW, 3/8 NC X 1-1/4	12
15	5919-698	SPROCKET SPLIT DRIVE HI-CHROME	1
16	7842-010	LOCK WASHER, 3/8	12
17	7722-010	HEX NUT 3/8 NC	12
18	7113-110	CAP SCREW, 1/2 NC X 2	1
19	7723-216	LOCK NUT, 1/2 NC, NYLOCK	1
20	5499-004	BEARING FLANGE	2
21	5449-019	BEARING, BOOT	2
22	5499-005	BEARING FLANGE w/ZERK	2
23	6449-002	IDLER SPROCKET ASSY	2
24	6449-023	SPROCKET W/BRG	2
25	7113-111	CAP SCREW, 1/2 NC X 2-1/4	2
26	7893-004	MACH. BUSHING, 1/2 10GA NR	4
27	6133-007	BUSHING	2
28	7813-015	FLAT WASHER, 1/2	10
29	7843-015	LOCK WASHER, 1/2	2
30	7723-015	HEX NUT, 1/2 NC	2
31	7114-109	CAP SCREW, 5/8 NC X 2	2
32	7723-119	LOCK NUT, 5/8 NC HALF HEIGHT	2
33	0412-201	BOOT BOTTOM, NEW STYLE BOOT DRIVE	2
34	5919-609	BOOT BLOCK (NARROW)	2
35	5919-679	BOOT SPROCKET (SQUARE), 1" HI-CHROME	1
36	5919-622	BOOT POINT (STANDARD), H-C HI-CHROME	1
37	5919-621	BOOT POINT (WIDE-ROCK), H-C HI-CHROME	1
38	7113-110	CAP SCREW, 1/2 NC X 2	2
39	7723-116	LOCK NUT, 1/2 NC HALF HEIGHT	2

FORM mmyy-xxxx

BACKBONE ASSY OVERVIEW

[Back to TOC](#)



BACKBONE ASSY OVERVIEW COMPONENTS

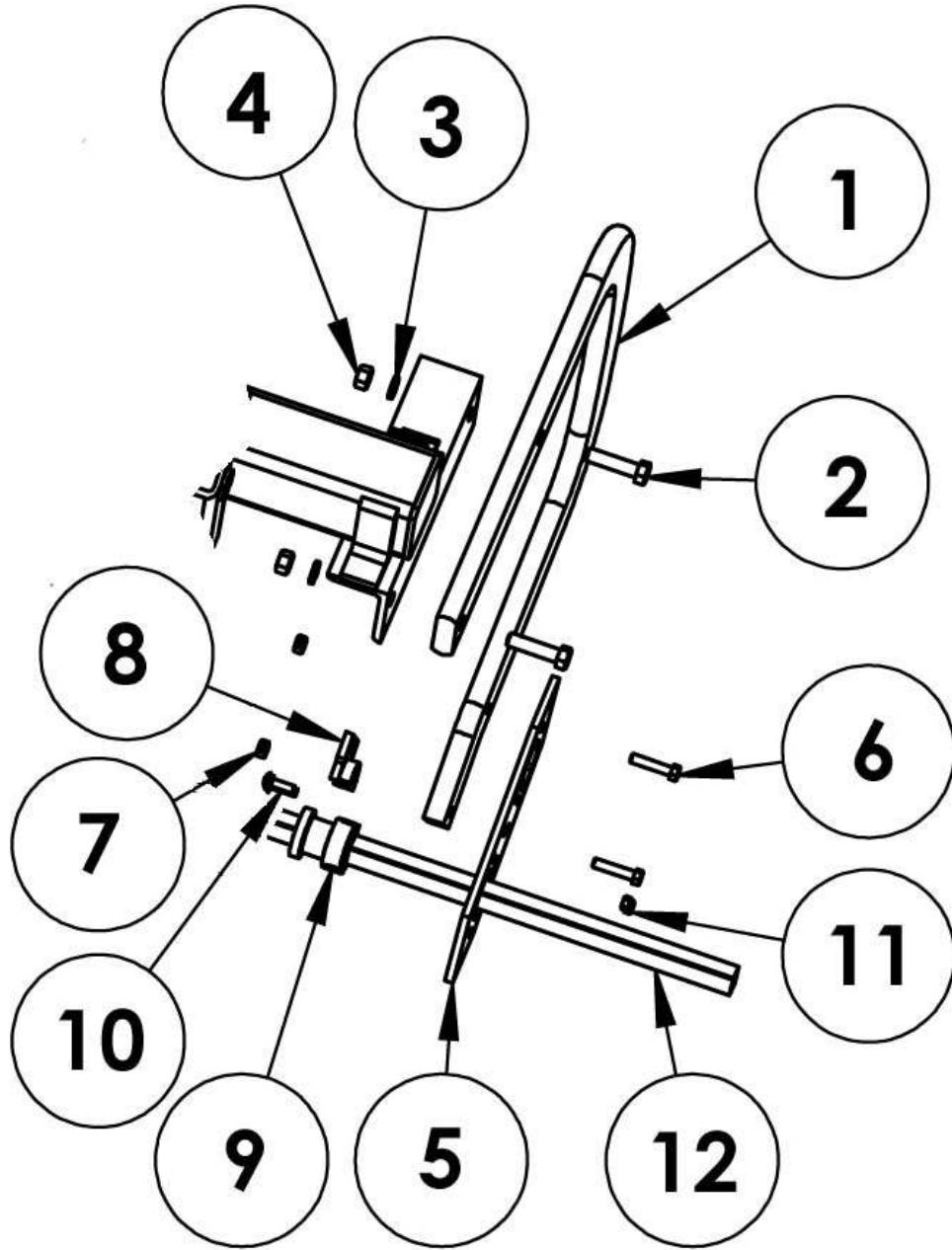
[Back to TOC](#)

Key	Part No.	Description	Qty
1	0410-004	BACKBONE 12' CENTER	1
	0410-005	BACKBONE 12' WING RH	
	0410-068	BACKBONE 12' WING LH	
	0415-052	BACKBONE, 12' OUTER WING, RH	
	0415-110	BACKBONE, 12' OUTER WING, LH	
2	0202-078	GOOSENECK	1
3	0410-524	BOOT ASSY w/ HC STD POINT	1
	0410-545	BOOT ASSY w/ HC ROCK POINT	
4	0105-101	1" LOCKING STANDARD SHOE ASSY	1
	0105-103	LOCKING ROCK SHOE ASSY	
	0105-100	ROCK SHOE ASSY	2
	0105-098	1" STANDARD SHOE ASSY	
5	5966-112	WEEDER ROD, 1 X 12'	1
	5966-110	WEEDER ROD, 1 X 10' 6"	
	5966-114	WEEDER ROD, 1 X 14'	
6	0412-074	CHAIN GUARD (OPTIONAL)	1

FORM 1115-0845

GOOSENECK ASSEMBLY (LH)

[Back to TOC](#)



GOOSENECK ASSEMBLY (LH)

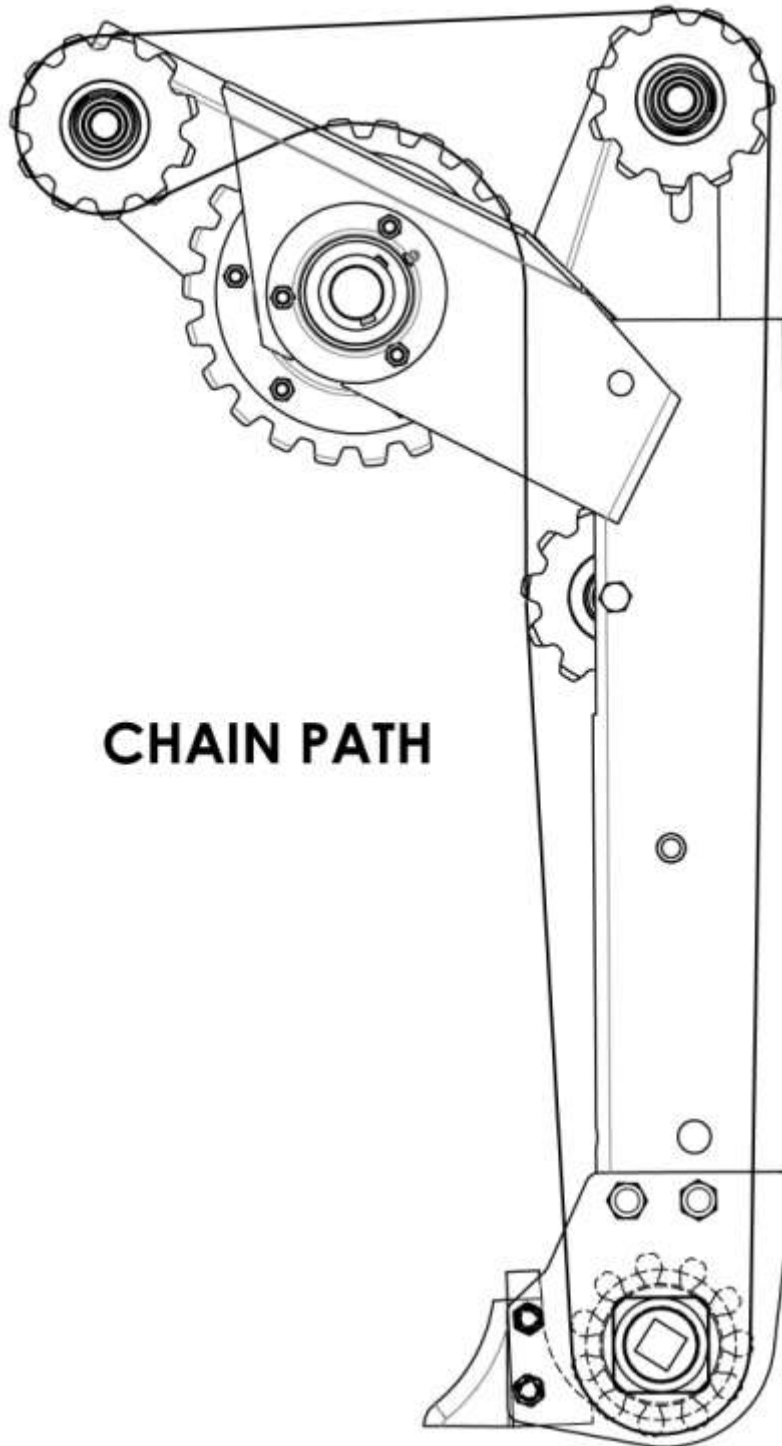
[Back to TOC](#)

Key	Part No.	Description	Qty
1	0202-078	GOOSENECK	3
2	7114-115	CAP SCREW, 5/8 NC X 2-1/2	6
3	7844-020	LOCK WASHER, 5/8	6
4	7724-005	HEX NUT, 5/8 NC	6
5	0105-062	SHOE FOR GOOSENECK, STD. PT	3
6	7112-017	CAP SCREW, 7/16 NC X 2	6
7	7722-018	LOCK NUT, 7/16 NC, SIDE LOCK	6
8	5919-612	BLOCK SHOE, HI-CHROME W-212	3
9	6919-355	LOCKING SPOOL ASSY - 1 " HI-CHROME	1
10	7342-012	CARRIAGE BOLT, 3/8 NC X1-1/4 (GR-2)	6
11	7722-010	HEX NUT 3/8 NC	6
12	5966-112	WEEDER ROD, 1 X 12'	1
	5966-110	WEEDER ROD, 1 X 10' 6"	
	5966-114	WEEDER ROD, 1 X 14'	

FORM 1115-0845

BOOT DRIVE CHAIN

[Back to TOC](#)



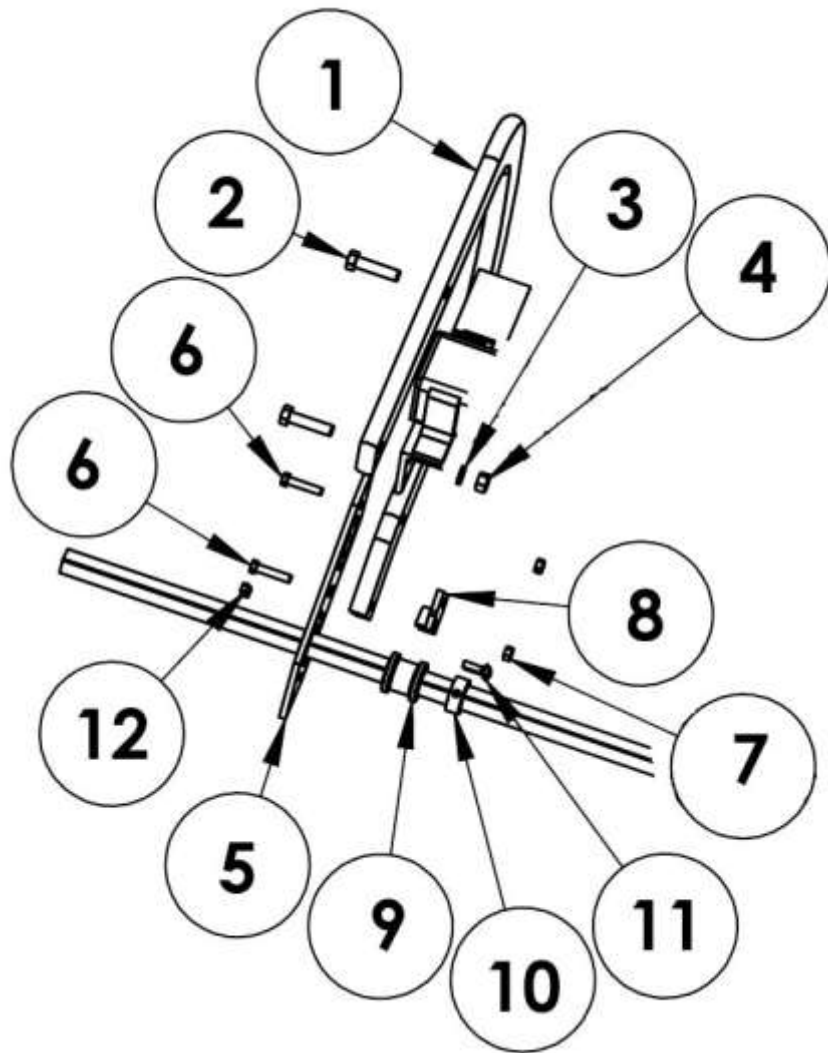
BOOT DRIVE CHAIN

[Back to TOC](#)

PAGE LEFT INTENTIONAL BLANK

GOOSENECK ASSEMBLY (RH)

[Back to TOC](#)



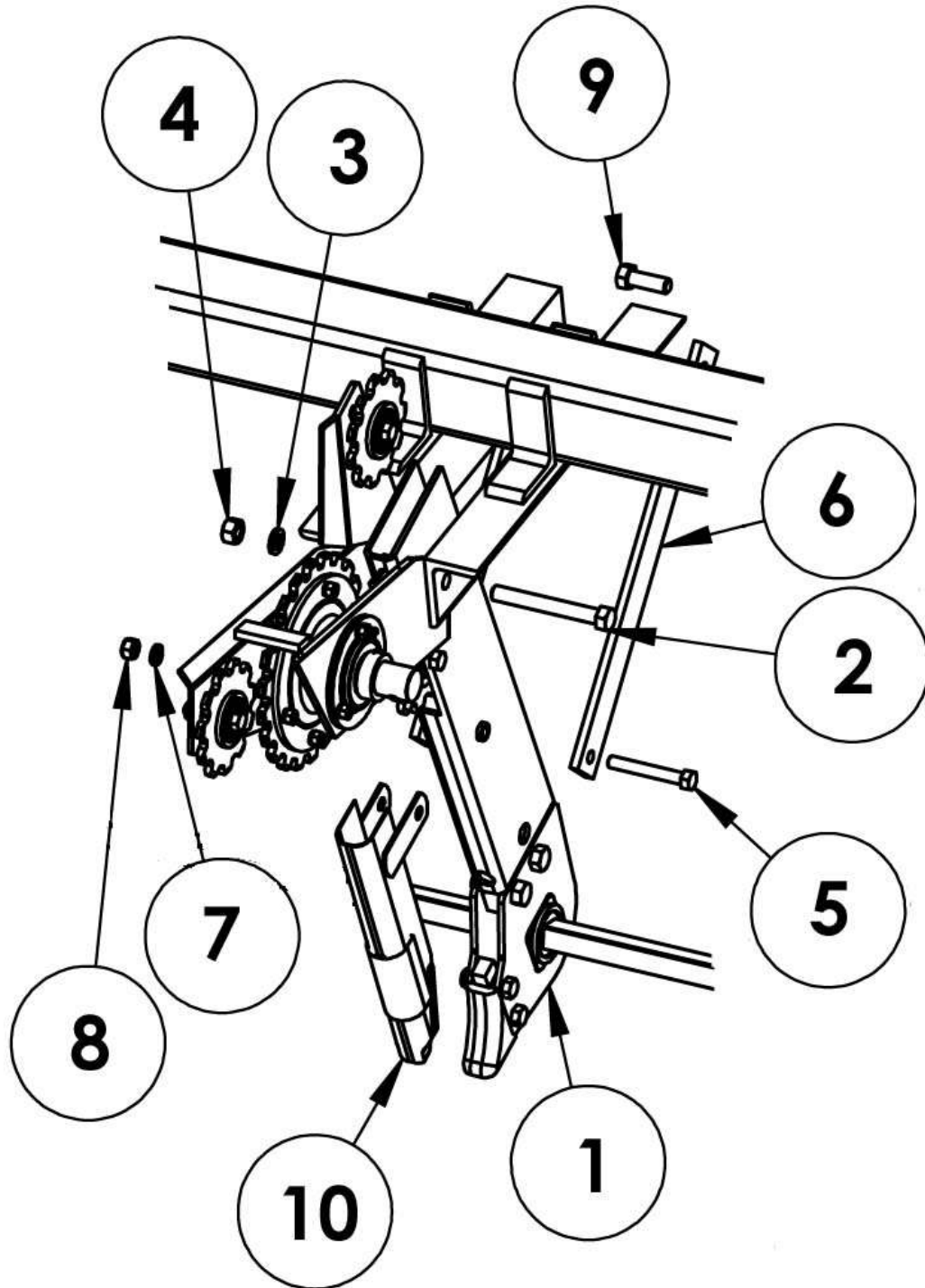
GOOSENECK ASSEMBLY (RH)

[Back to TOC](#)

Key	Part No.	Description	Qty
1	0202-078	GOOSENECK	3
2	7114-115	CAP SCREW, 5/8 NC X 2-1/2	6
3	7844-020	LOCK WASHER, 5/8	6
4	7724-005	HEX NUT, 5/8 NC	6
5	0105-062	SHOE FOR GOOSENECK, STD. PT	3
6	7112-017	CAP SCREW, 7/16 NC X 2	6
7	7722-018	LOCK NUT, 7/16 NC, SIDE LOCK	6
8	5919-612	BLOCK SHOE, HI-CHROME W-212	3
9	5919-617	SPOOL SHOE (SQUARE), 1"	1
10	6486-002	SET COLLAR, 1" ROD WITH SET SCREW	1
11	7342-012	CARRIAGE BOLT, 3/8 NC X1-1/4 (GR-2)	6
12	7722-010	HEX NUT 3/8 NC	6
13	5966-112	WEEDER ROD, 1 X 12'	1
	5966-110	WEEDER ROD, 1 X 10' 6"	
	5966-114	WEEDER ROD, 1 X 14'	
			FORM 1115-0845

BOOT DRIVE ASSEMBLY

[Back to TOC](#)



BOOT DRIVE ASSEMBLY

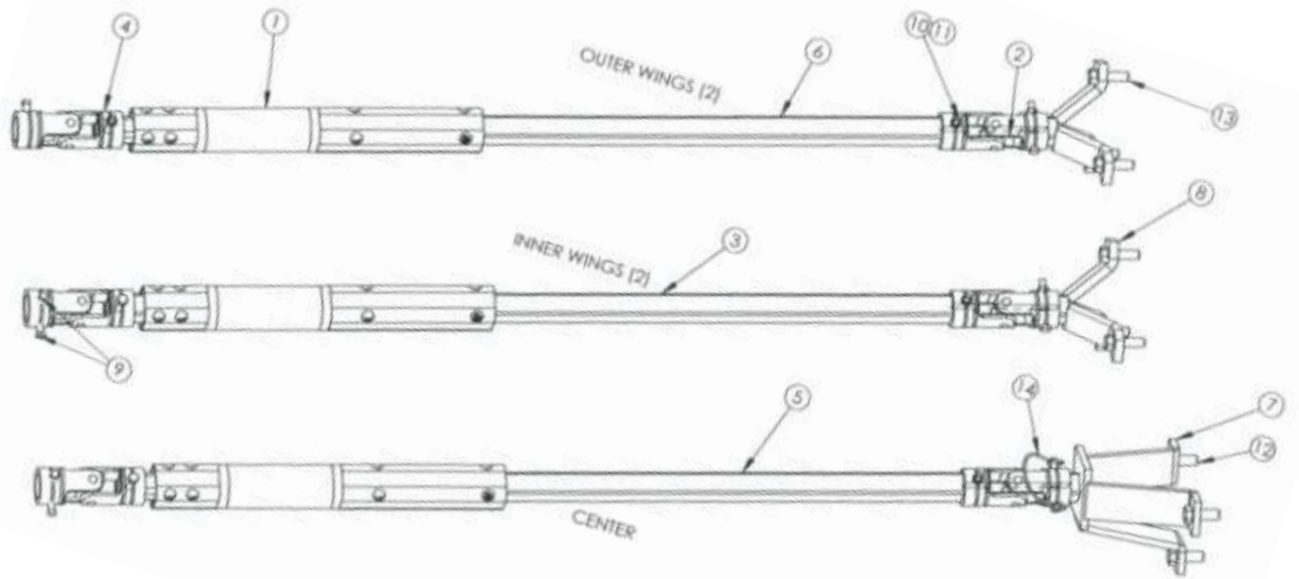
[Back to TOC](#)

Key	Part No.	Description	Qty
1	0410-524	BOOT ASSY w/ HC STD POINT	1
2	7114-050	CAP SCREW, 5/8 NC X 5	1
3	7844-020	LOCK WASHER, 5/8	3
4	7724-005	HEX NUT, 5/8 NC	3
5	7113-120	CAP SCREW, 1/2 NC X 3-1/2	1
6	0412-202	BOOT STRAP	2
7	7843-015	LOCK WASHER, 1/2	1
8	7723-015	HEX NUT, 1/2 NC	1
9	7114-006	CAP SCREW, 5/8 NC X 1-3/4	1
10	0412-074	CHAIN GUARD (OPTIONAL)	1

FORM mmyy-xxxx

CULTA-WEEDER DRIVELINES

[Back to TOC](#)



CULTA-WEEDER DRIVELINES

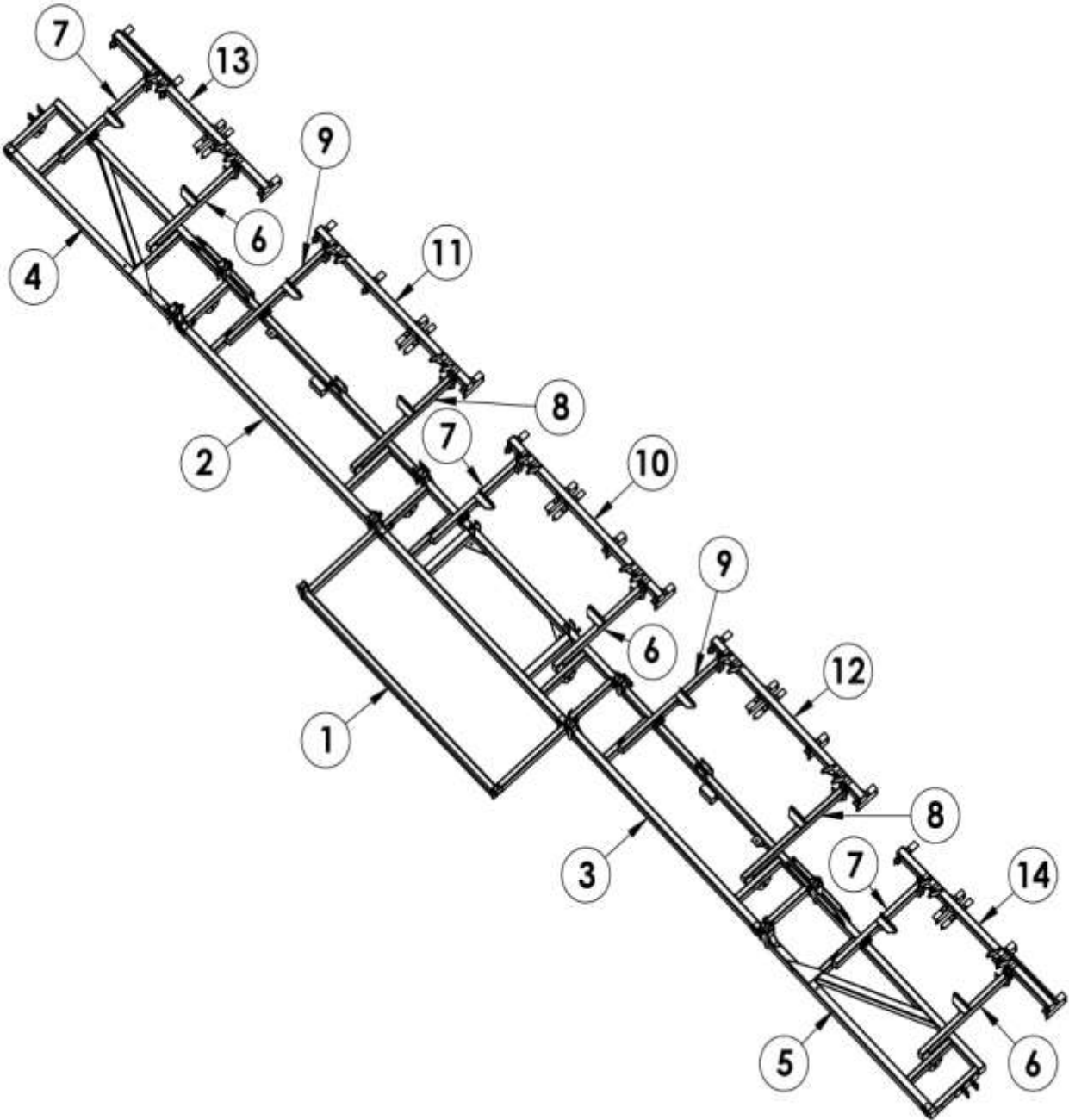
[Back to TOC](#)

Key	Part No.	Description	Qty
1	0206-037	FEMALE DRIVELINE, 20-1/2"	3
2	5546-005	U-JOINT, SQ X SQ	3
3	6566-089	DRIVE LINE, 46-1/2	1
4	5546-006	U-JOINT, SQ X RND	3
5	6566-090	DRIVE LINE, 40-3/4	1
6	6566-092	DRIVE LINE, 30-1/4	1
7	0410-167	DRIVE BASKET, HEAVY DUTY (8-BOLT HUB)	1
8	0207-121	DRIVE BASKET (6-BOLT HUB)	2
9	7512-010	SET SCREW, 3/8 X 3/4 NC SQ HEAD	6
10	7111-030	CAP SCREW, 5/16 NC X 2-3/4	8
11	7721-008	LOCK NUT, 5/16 NC, SIDE LOCK	8
12	7113-256	CAP SCREW, 9/16 NF X 1-3/4	3
13	7113-107	CAP SCREW, 1/2 NF X 1-3/4	6
14	7920-010	DRIVELINE LOCK PIN, 5/16 X 2 5/16 X 2-3/4	1

FORM mmyy-xxxx

S21 BACKBONE OVERVIEW

[Back to TOC](#)



S21 BACKBONE OVERVIEW

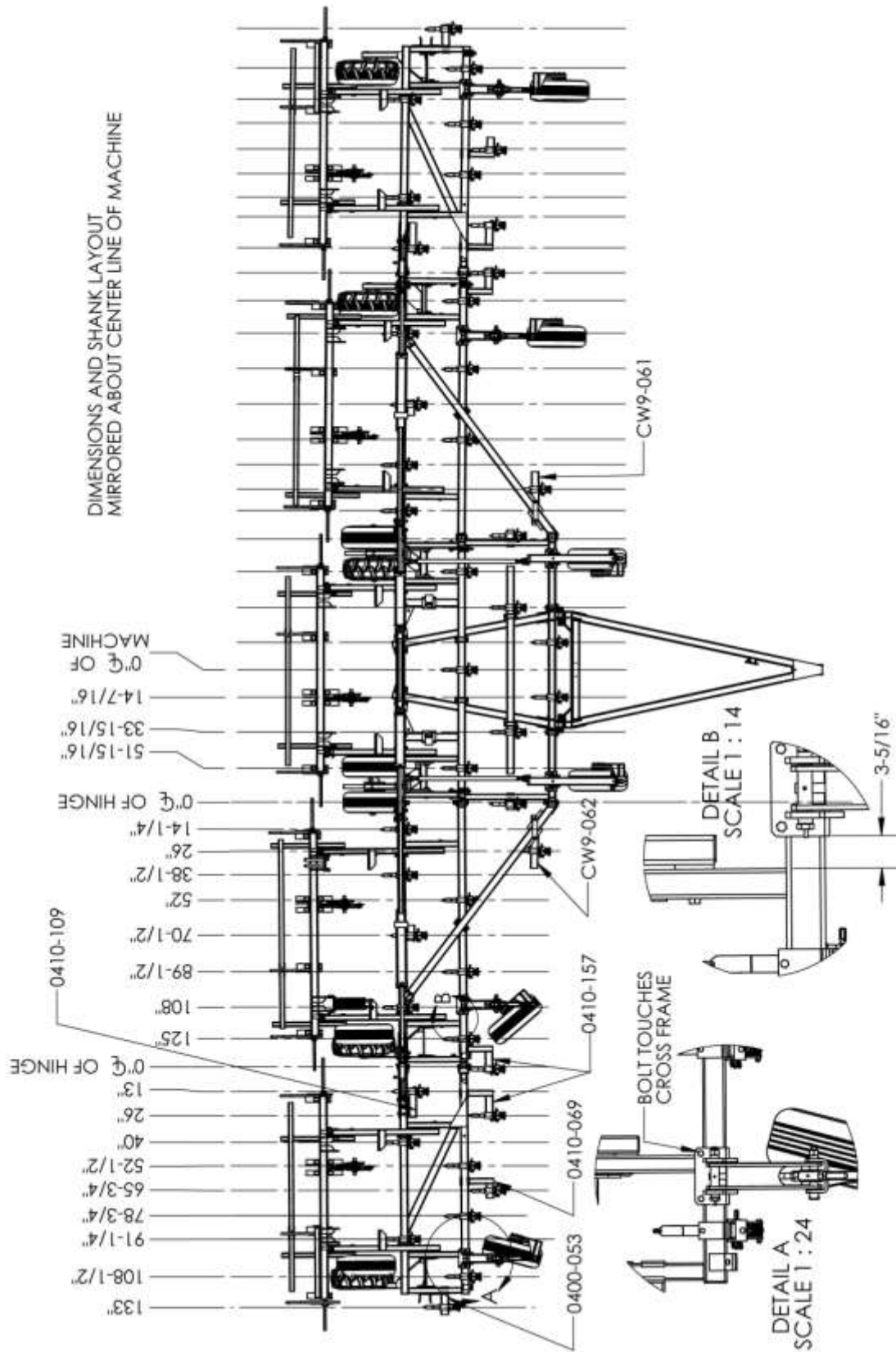
[Back to TOC](#)

Key	Part No.	Description	Qty
1	0415-001	SERIES 21 CENTER FRAME	1
2	0410-028	INNER WING FRAME, 12' (RH)	1
3	0410-027	INNER WING FRAME, 12' (LH)	1
4	0410-026	OUTER WING FRAME, 12' (RH)	1
5	0410-025	OUTER WING FRAME, 12' (LH)	1
6	0410-183	LEAD ARM, SHORT LH	3
7	0410-184	LEAD ARM, SHORT RH	3
8	CW9-183	LEAD ARM, X-LONG, LH	2
9	CW9-184	LEAD ARM, X-LONG, RH	2
10	0410-004	BACKBONE 12' CENTER	1
11	0410-005	BACKBONE 12' WING RH	1
12	0410-068	BACKBONE 12' WING LH	1
13	0415-052	BACKBONE, 12' OUTER WING, RH	1
14	0415-110	BACKBONE, 12' OUTER WING, LH	1

FORM mmyy-xxxx

SHANK LAYOUT

[Back to TOC](#)



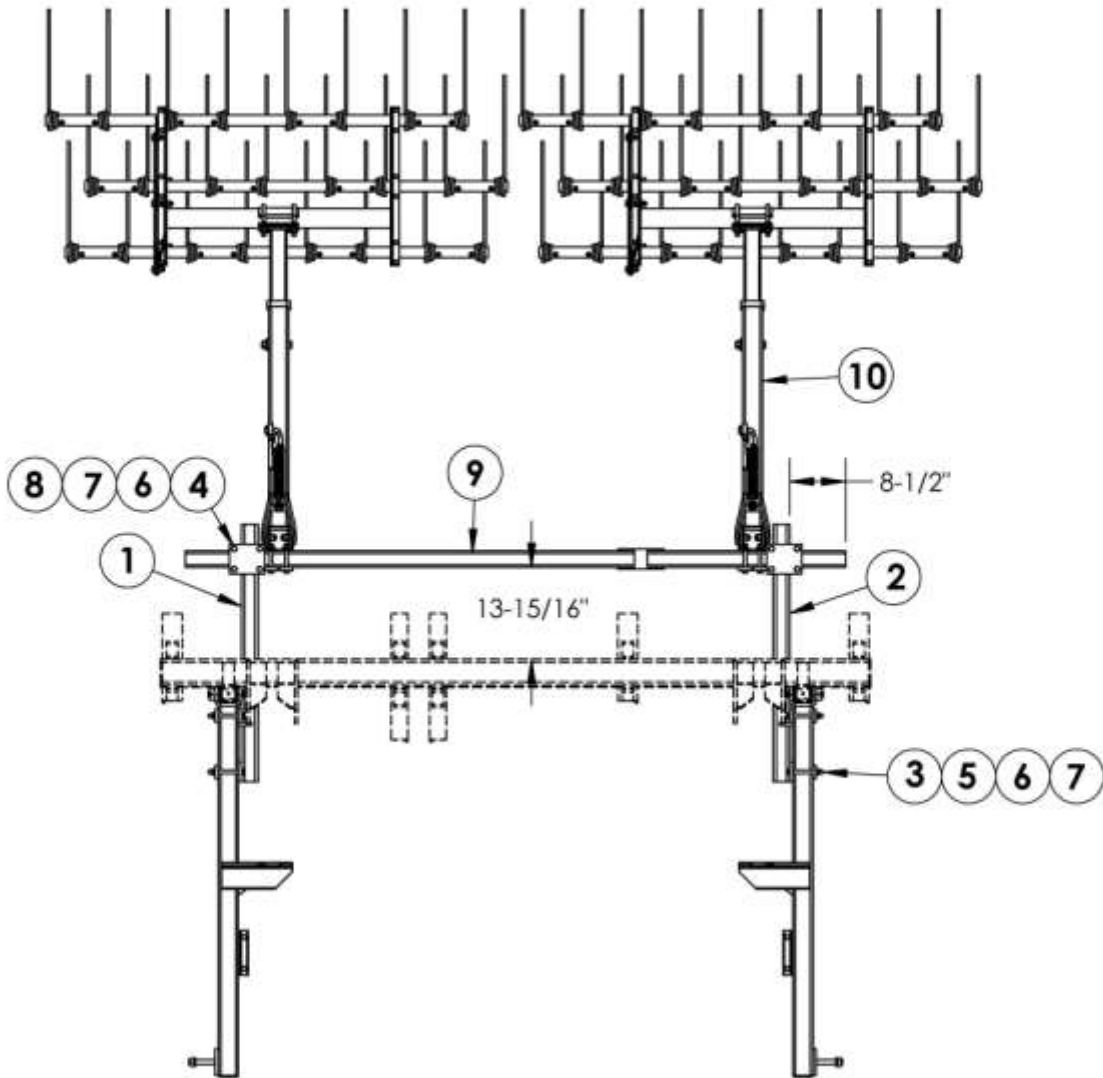
Title Here

[Back to TOC](#)

THIS PAGE LEFT INENTIONALLY BLANK

CENTER SECTION HARROW

[Back to TOC](#)



CENTER SECTION HARROW COMPONENTS

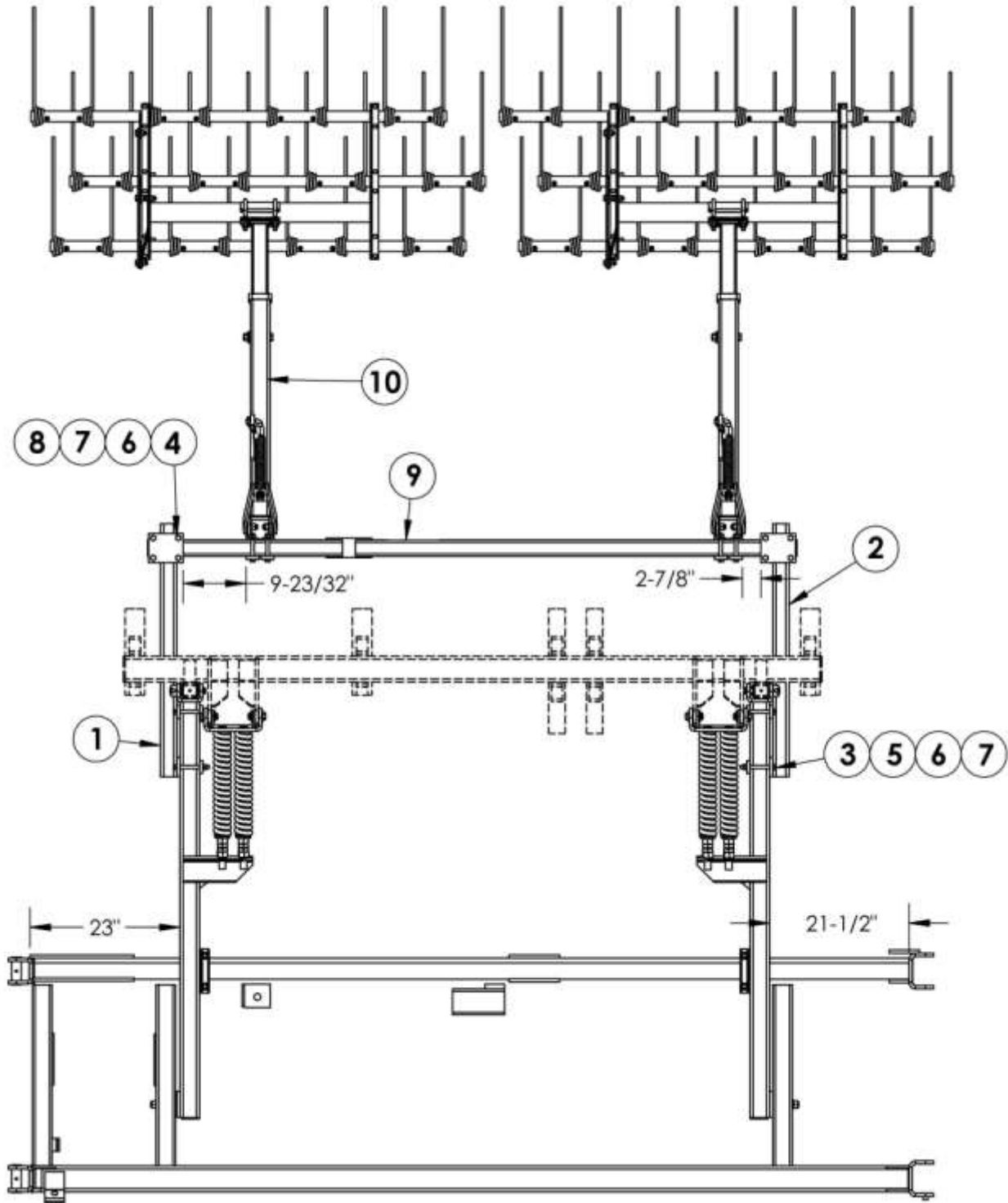
[Back to TOC](#)

Key	Part No.	Description	Qty
1	0410-086	HARROW MOUNT ARM RH	1
2	0410-087	HARROW MOUNT ARM LH	1
3	0410-058	MOUNT PLATE, 1/2 X 2 HRM	4
4	0200-994	TIE PLATE	8
5	7113-127	CAP SCREW, 1/2 NC x 5	8
6	7843-015	LOCK WASHER, 1/2	16
7	7723-015	HEX NUT, 1/2 NC	16
8	7113-141	CAP SCREW, 1/2 NC X 7	8
9	0410-084	HARROW MOUNT BAR, 100	1
10	TH20-006	6' TINE HARROW (GEN-4)	2

FORM mmyy-x

INNER WING RH HARROW

[Back to TOC](#)



INNER WING RH HARROW COMPONENTS

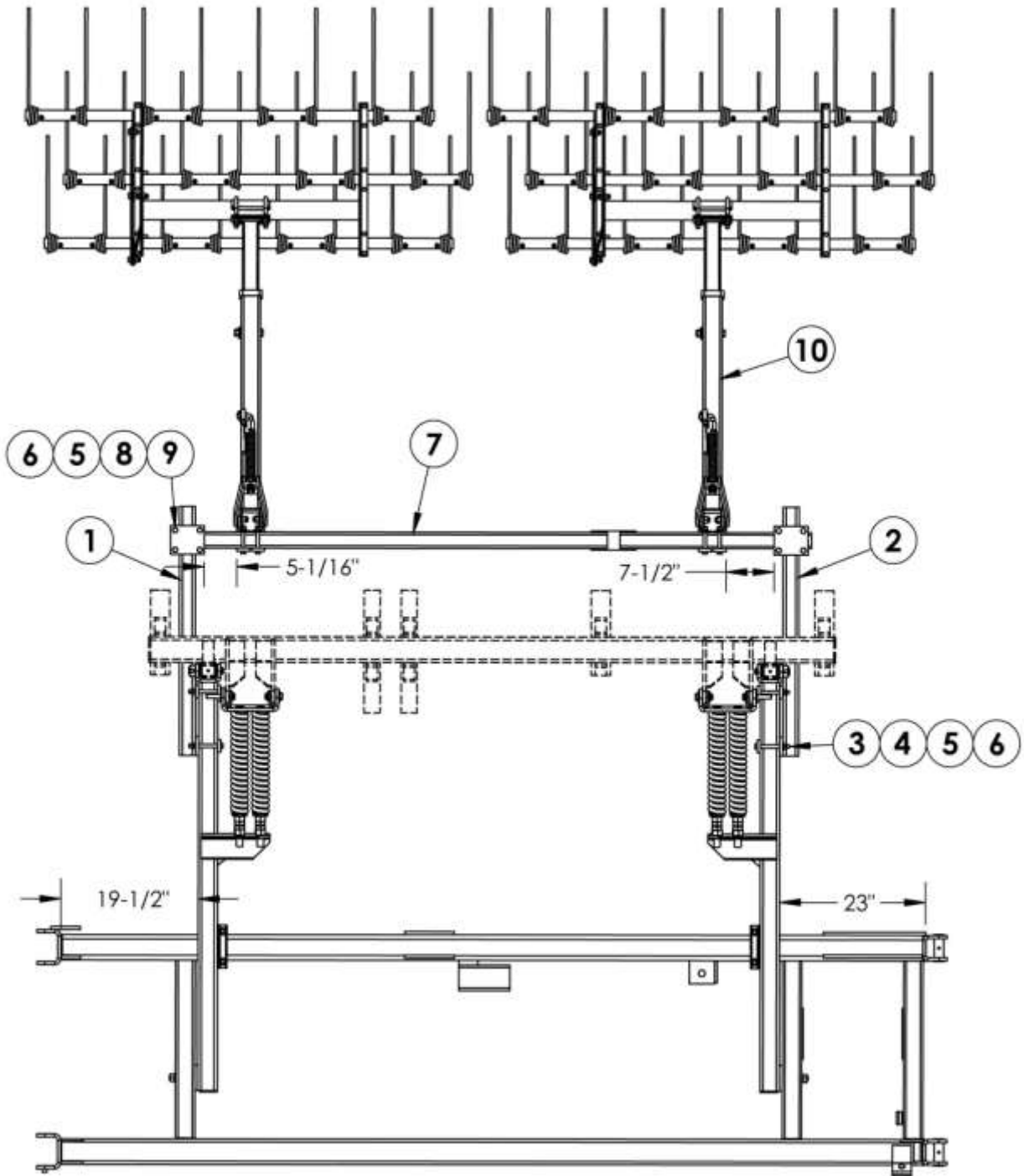
[Back to TOC](#)

Key	Part No.	Description	Qty
1	0410-087	HARROW MOUNT ARM LH	2
3	0410-058	MOUNT PLATE, 1/2 X 2 HRM	4
4	0200-994	TIE PLATE	4
5	7113-127	CAP SCREW, 1/2 NC x 5	8
6	7843-015	LOCK WASHER, 1/2	16
7	7723-015	HEX NUT, 1/2 NC	16
8	7113-141	CAP SCREW, 1/2 NC X 7	8
9	0410-084	HARROW MOUNT BAR, 100	1
10	TH20-006	6' TINE HARROW (GEN-4)	2

FORM mmyy-x

INNER WING LH HARROW

[Back to TOC](#)



INNER WING LH HARROW

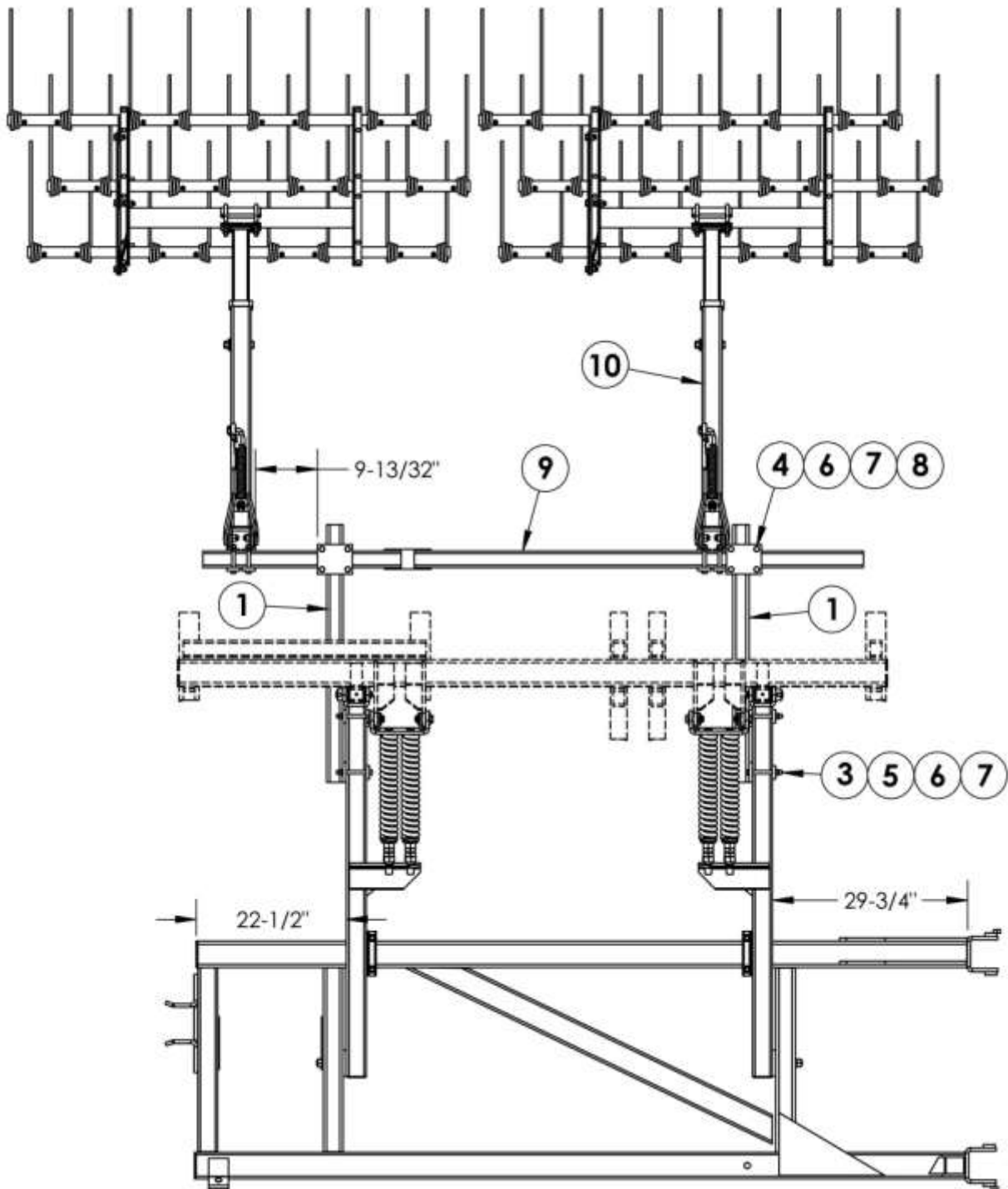
[Back to TOC](#)

Key	Part No.	Description	Qty
1	0410-086	HARROW MOUNT ARM RH	1
2	0410-087	HARROW MOUNT ARM LH	1
3	0410-058	MOUNT PLATE, 1/2 X 2 HRM	4
4	0200-994	TIE PLATE	4
5	7113-127	CAP SCREW, 1/2 NC x 5	8
6	7843-015	LOCK WASHER, 1/2	16
7	7723-015	HEX NUT, 1/2 NC	16
8	7113-141	CAP SCREW, 1/2 NC X 7	8
9	0410-084	HARROW MOUNT BAR, 100	1
10	TH20-006	6' TINE HARROW (GEN-4)	2

FORM mmyy-x

OUTER WING RH HARROW

[Back to TOC](#)



OUTER WING RH HARROW COMPONENTS

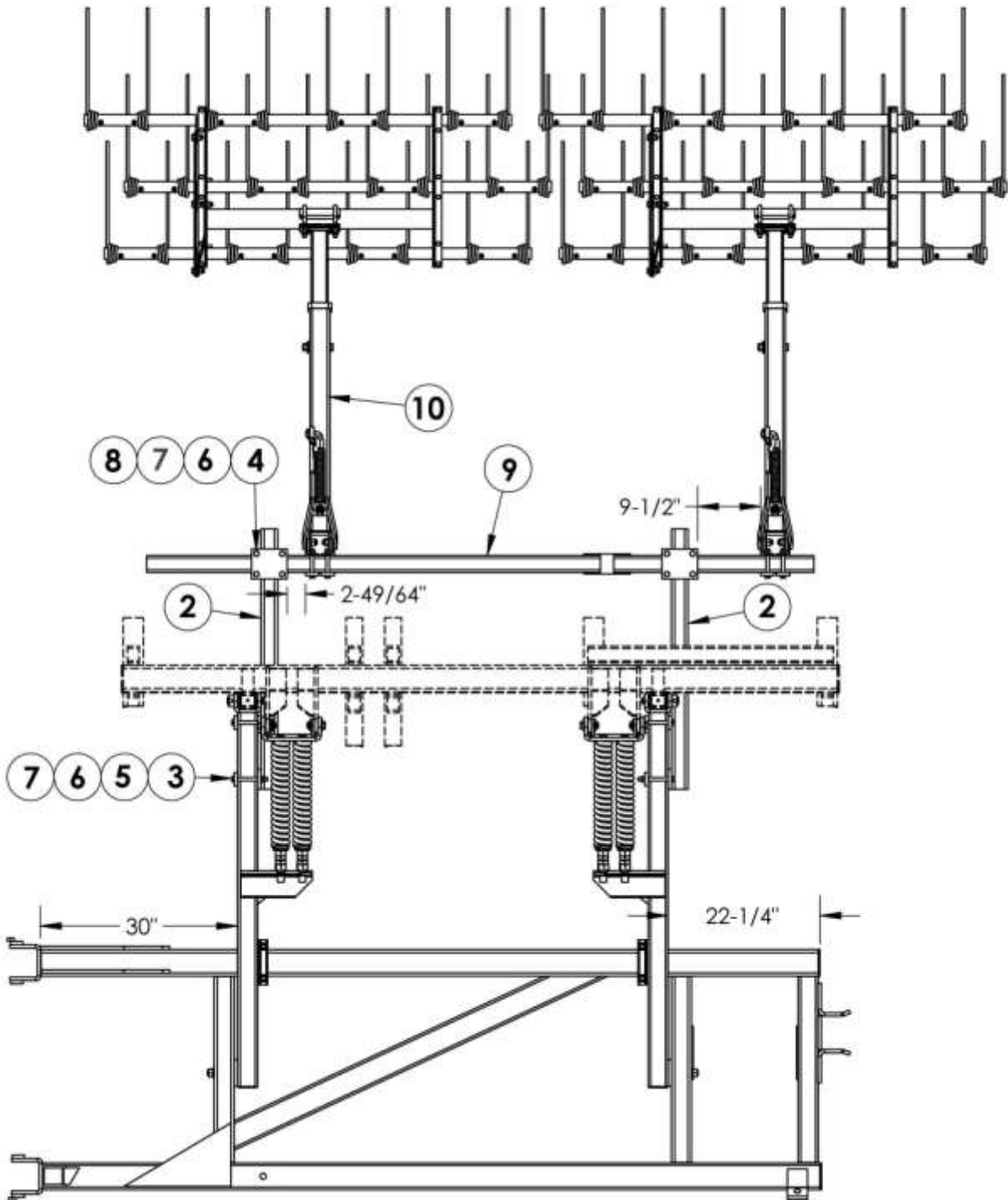
[Back to TOC](#)

Key	Part No.	Description	Qty
1	0410-087	HARROW MOUNT ARM LH	2
3	0410-058	MOUNT PLATE, 1/2 X 2 HRM	4
4	0200-994	TIE PLATE	4
5	7113-127	CAP SCREW, 1/2 NC x 5	8
6	7843-015	LOCK WASHER, 1/2	16
7	7723-015	HEX NUT, 1/2 NC	16
8	7113-141	CAP SCREW, 1/2 NC X 7	8
9	0410-084	HARROW MOUNT BAR, 100	1
10	TH20-006	6' TINE HARROW (GEN-4)	2

FORM mmyy-x

OUTER WING LH HARROW

[Back to TOC](#)



OUTER WING LH HARROW COMPONENTS

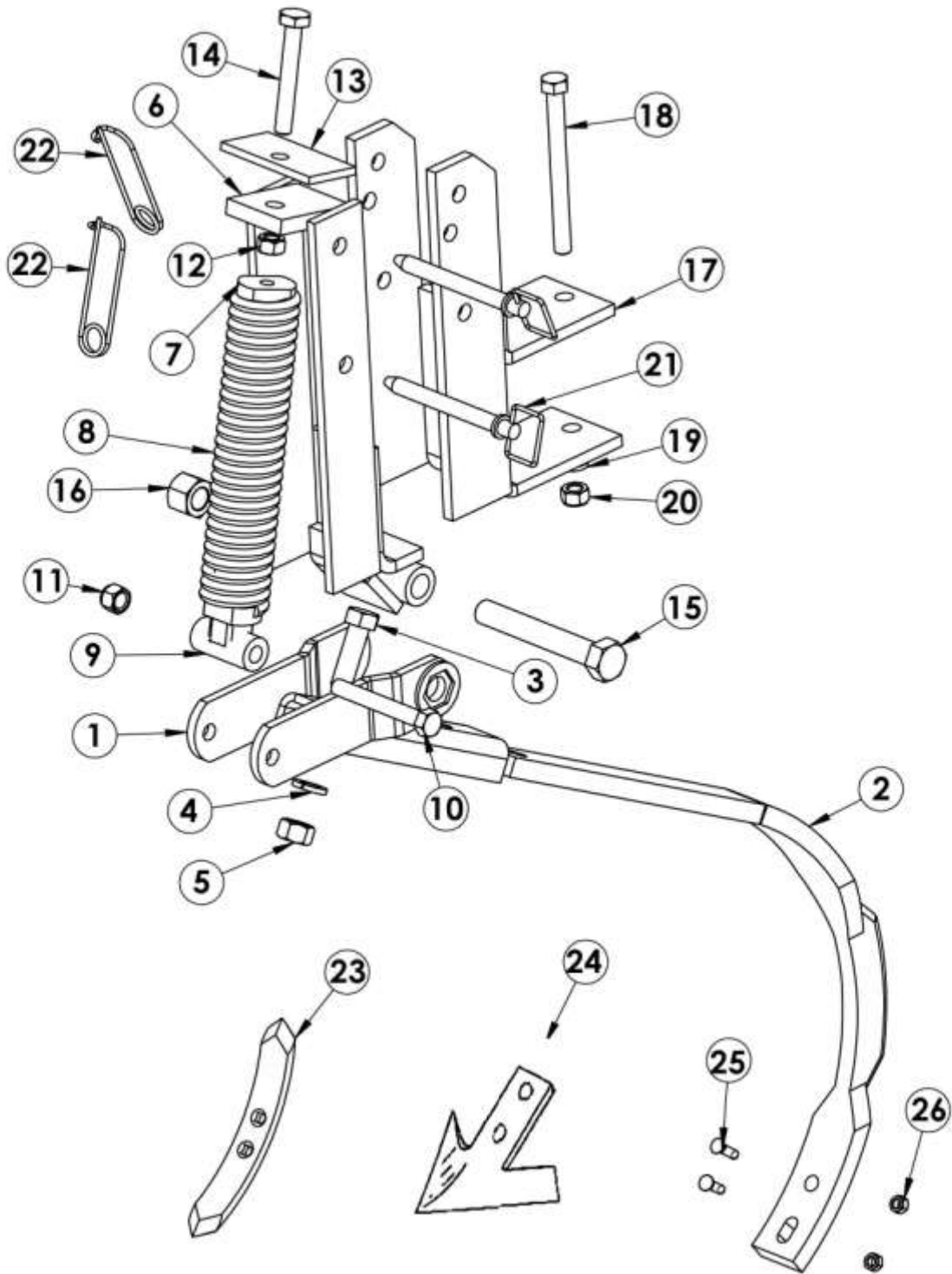
[Back to TOC](#)

Key	Part No.	Description	Qty
1	0410-086	HARROW MOUNT ARM RH	2
3	0410-058	MOUNT PLATE, 1/2 X 2 HRM	4
4	0200-994	TIE PLATE	4
5	7113-127	CAP SCREW, 1/2 NC x 5	8
6	7843-015	LOCK WASHER, 1/2	16
7	7723-015	HEX NUT, 1/2 NC	16
8	7113-141	CAP SCREW, 1/2 NC X 7	8
9	0410-084	HARROW MOUNT BAR, 100	1
10	TH20-006	6' TINE HARROW (GEN-4)	2

FORM mmyy-x

REMOVEABLE SHANK MOUNT

[Back to TOC](#)



REMOVEABLE SHANK MOUNT COMPONENTS

[Back to TOC](#)

Key	Part No.	Description	Qty
1	0201-062	SHANK MOUNT YOKE	1
2	5939-003	SPRING SHANK	1
3	7114-109	CAP SCREW, 5/8 NC X 2	1
4	7844-020	LOCK WASHER, 5/8	1
5	7724-005	HEX NUT, 5/8 NC	1
6	0410-055	SPRING MOUNT	1
7	6919-050	TOP INSERT CULTIVATOR SPRING SHANK	1
8	5123-002	SPRING, CULTIVATOR	1
9	6919-052	BOTTOM INSERT CULTIVATOR SPRING SHANK	1
10	7113-121	CAP SCREW, 1/2 NC X 3-3/4	1
11	7723-216	LOCK NUT, 1/2 NC, NYLOCK	1
12	7723-015	HEX NUT, 1/2 NC	1
13	0410-133	ROTATION STOP	1
14	7113-119	TAP BOLT, 1/2 NC X 3-1/2 FULL THREAD	1
15	7115-067	CAP SCREW, 3/4 NF X 5	1
16	7725-122	LOCK NUT, NYLOCK, 3/4 NF	1
17	0410-054	ROTATING SHANK MOUNT	1
18	7113-129	CAP SCREW, 1/2 NC x 5-1/2	1
19	7843-015	LOCK WASHER, 1/2	1
20	7723-015	HEX NUT, 1/2 NC	1
21	7920-012	HITCH PIN, 1/2 X 4.75 W/SAFETY PIN	2
22	7920-012SP	SAFETY PIN	2
23	5949-012	REVERSIBLE POINT, CULTIVATOR	1
24	5952-625	ULTRA WING SWEEP, 1/4 X 9	1
25	7272-058	PLOW BOLT, 7/16 NC X 1-1/2	2
26	7722-015	HEX NUT 7/16 NC	2

FORM mmyy-x