

25 Ft Header Cart



Phone: 509 635-1321 Fax: 509 635-1434

Parts Manual - 25 Ft Header Cart

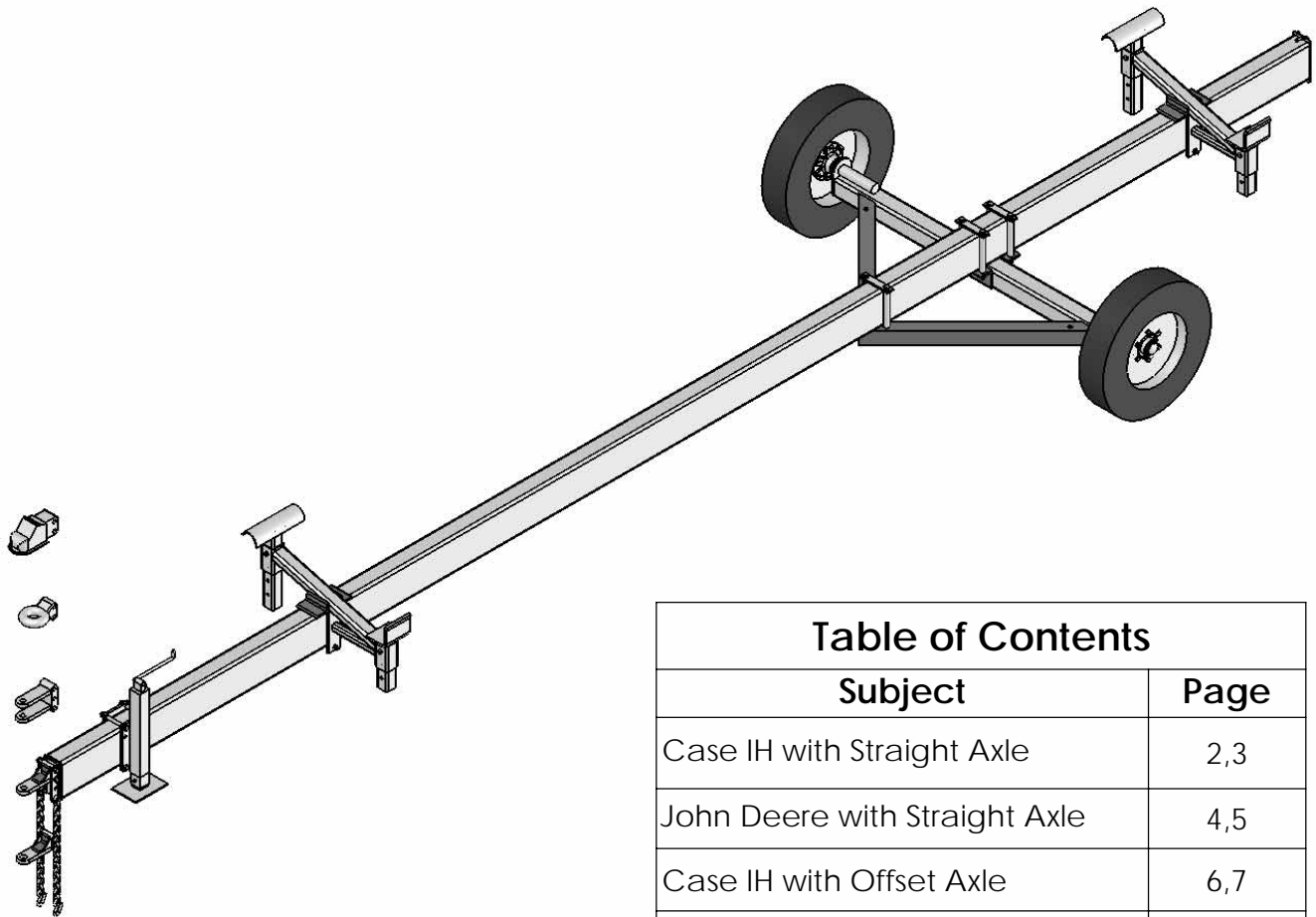
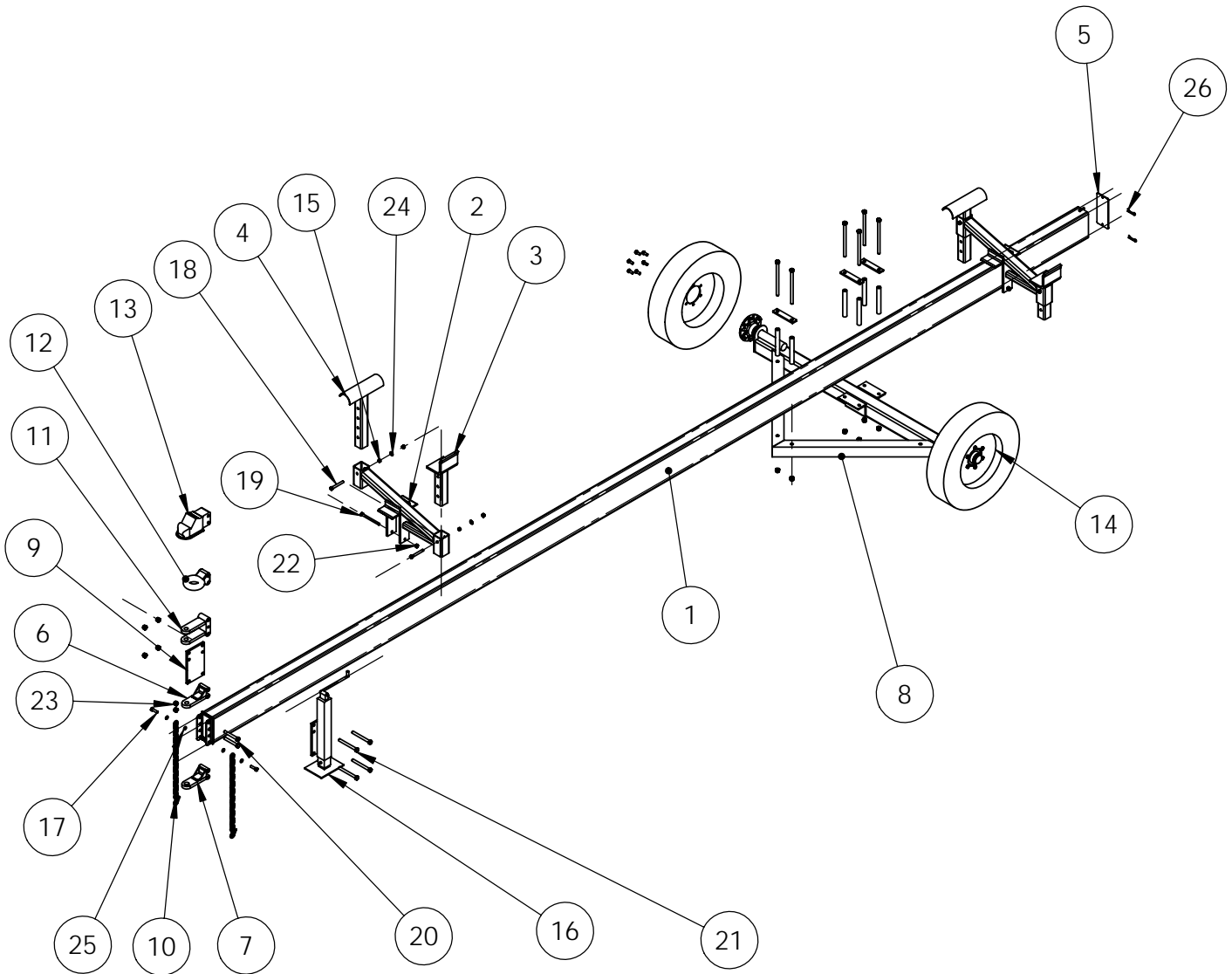


Table of Contents	
Subject	Page
Case IH with Straight Axle	2,3
John Deere with Straight Axle	4,5
Case IH with Offset Axle	6,7
John Deere with Offset Axle	8,9
Straight Axle Assembly	10
Offset Axle Assembly	11
6-Bolt Hub Assembly	12
Part Number Page Reference	13

25 Ft Header Cart

Case IH With Straight Axle



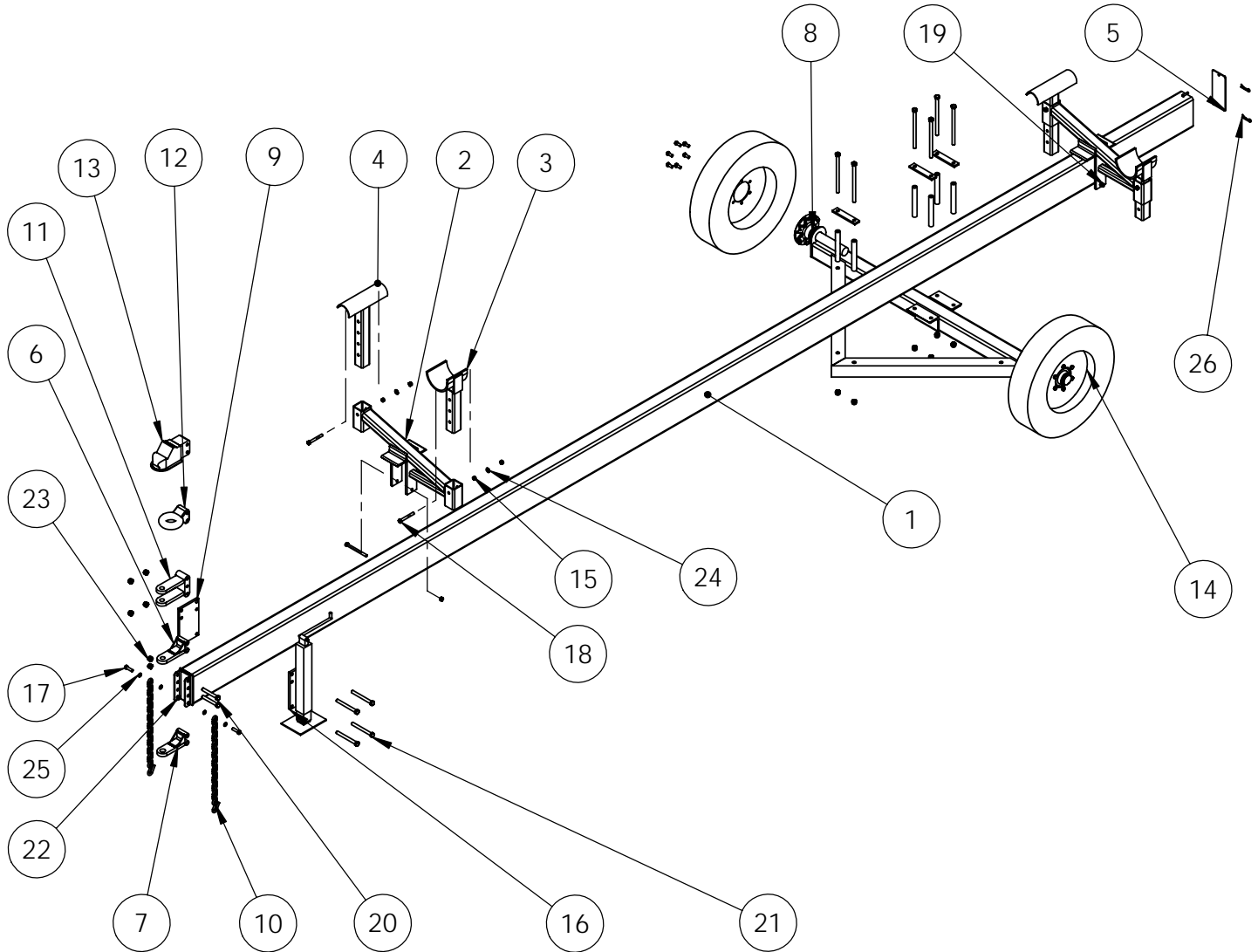
25 Ft Header Cart

Case IH With Straight Axle			
ITEM NO.	PART NUMBER	DESCRIPTION	QTY.
1	HC9-001	HEADER CART FRAME	1
2	HC9-006	HEADER SUPPORT	2
3	HC9-008	LOWER SUPPORT EXT.	2
4	HC9-011	UPPER SUPPORT EXTENSION	2
5	HC9-012	COVER PLATE	1
6	HC9-014	ADJUSTABLE HITCH	1
7	HC9-026	ADJUSTABLE HITCH	1
8	HC9-550	STRAIGHT AXLE ASSEMBLY	1
9	400-088	BACKING PLATE	1
10	5039-024	SAFETY CHAIN (3/8 X 24 WITH SAFETY HOOK)	2
11	5318-121	DOUBLE CLEVIS	1
12	5318-122	3" LUNETTE EYE	1
13	5318-123	2-5/16 BALL COUPLER	1
14	5639-584	TIRE & WHEEL 9.5L X 15 8 PLY RIB	2
15	6133-007	BUSHING	4
16	6329-055	TOPWIND TONGUE JACK	1
17	7113-103	CAP SCREW 1/2-13UNC X 1-3/4	2
18	7113-122	CAP SCREW 1/2-13UNC X 4	4
19	7113-135	CAP SCREW 1/2-13UNC X 6	2
20	7114-045	CAP SCREW 5/8-11UNC X 4-1/2	2
21	7114-060	CAP SCREW 5/8-11UNC X 6	4
22	7723-216	1/2" - 13 Hex Nut	8
23	7724-120	LOCK NUT 5/8-11UNC	6
24	7813-015	FLAT WASHER 1/2"	4
25	7893-004	MACH BSHG, 1/2 X 10GA NR	4
26	7920-003	#10 HITCH PIN	2



25 Ft Header Cart

John Deere Header with Straight Axle



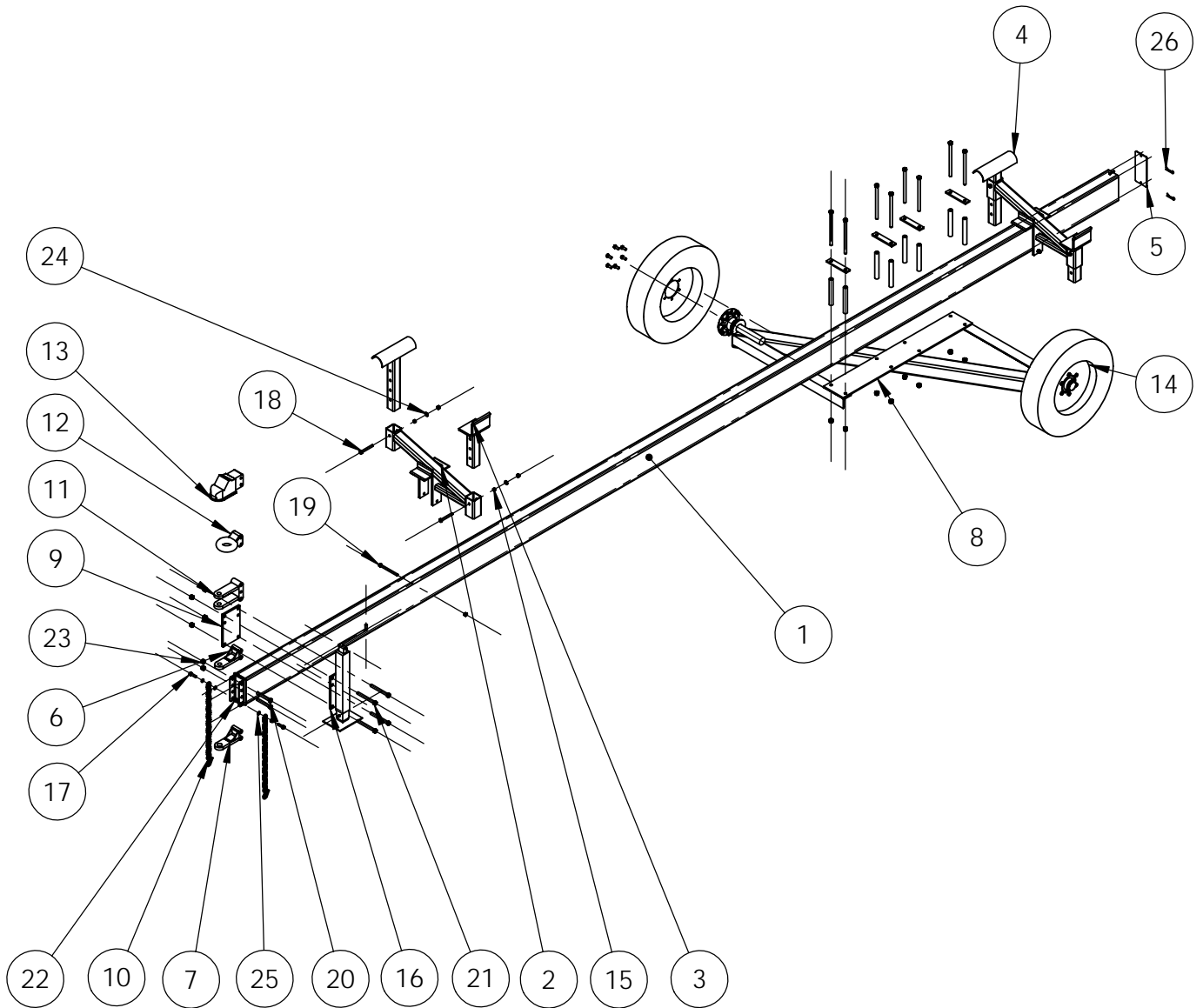
25 Ft Header Cart

John Deere Header with Straight Axle			
ITEM NO.	PART NUMBER	DESCRIPTION	QTY.
1	HC9-001	HEADER CART FRAME	1
2	HC9-006	HEADER SUPPORT	2
3	HC9-010	LOWER SUPPORT EXT.	2
4	HC9-011	UPPER SUPPORT EXTENSION	2
5	HC9-012	COVER PLATE	1
6	HC9-014	ADJUSTABLE HITCH	1
7	HC9-026	ADJUSTABLE HITCH	1
8	HC9-550	STRAIGHT AXLE ASSEMBLY	1
9	400-088	BACKING PLATE	1
10	5039-024	SAFETY CHAIN (3/8 X 24 WITH SAFETY HOOK)	2
11	5318-121	DOUBLE CLEVIS	1
12	5318-122	3" LUNETTE EYE	1
13	5318-123	2-5/16 BALL COUPLER	1
14	5639-584	TIRE & WHEEL 9.5L X 15 8 PLY RIB	2
15	6133-007	BUSHING	4
16	6329-055	TOPWIND TONGUE JACK	1
17	7113-103	CAP SCREW 1/2-13UNC X 1-3/4	2
18	7113-122	CAP SCREW 1/2-13UNC X 4	4
19	7113-135	CAP SCREW 1/2-13UNC X 6	2
20	7114-045	CAP SCREW 5/8-11UNC X 4-1/2	2
21	7114-060	CAP SCREW 5/8-11UNC X 6	4
22	7723-216	1/2" - 13 Hex Nut	8
23	7724-120	LOCK NUT 5/8-11UNC	6
24	7813-015	FLAT WASHER 1/2"	4
25	7893-004	MACH BSHG, 1/2 X 10GA NR	4
26	7920-003	#10 HITCH PIN	2



25 Ft Header Cart

Case I Header with Offset Axle



25 Ft Header Cart

Case IH Header with Offset Axle			
ITEM NO.	PART NUMBER	DESCRIPTION	25', Offset Axle, Case, Header Cart/QT.Y.
1	HC9-001	HEADER CART FRAME	1
2	HC9-006	HEADER SUPPORT	2
3	HC9-008	LOWER SUPPORT EXT.	2
4	HC9-011	UPPER SUPPORT EXTENSION	2
5	HC9-012	COVER PLATE	1
6	HC9-014	ADJUSTABLE HITCH	1
7	HC9-026	ADJUSTABLE HITCH	1
8	HC9-551	OFFSET AXLE ASSEMBLY	1
9	400-088	BACKING PLATE	1
10	5039-024	SAFETY CHAIN (3/8 X 24 WITH SAFETY HOOK)	2
11	5318-121	DOUBLE CLEVIS	1
12	5318-122	3" LUNETTE EYE	1
13	5318-123	2-5/16 BALL COUPLER	1
14	5639-584	TIRE & WHEEL 9.5L X 15 8 PLY RIB	2
15	6133-007	BUSHING	4
16	6329-055	TOPWIND TONGUE JACK	1
17	7113-103	CAP SCREW 1/2-13UNC X 1-3/4	2
18	7113-122	CAP SCREW 1/2-13UNC X 4	4
19	7113-135	CAP SCREW 1/2-13UNC X 6	2
20	7114-045	CAP SCREW 5/8-11UNC X 4-1/2	2
21	7114-060	CAP SCREW 5/8-11UNC X 6	4
22	7723-216	1/2" - 13 Hex Nut	8
23	7724-120	LOCK NUT 5/8-11UNC	6
24	7813-015	FLAT WASHER 1/2"	4
25	7893-004	MACH BSHG, 1/2 X 10GA NR	4
26	7920-003	#10 HITCH PIN	2



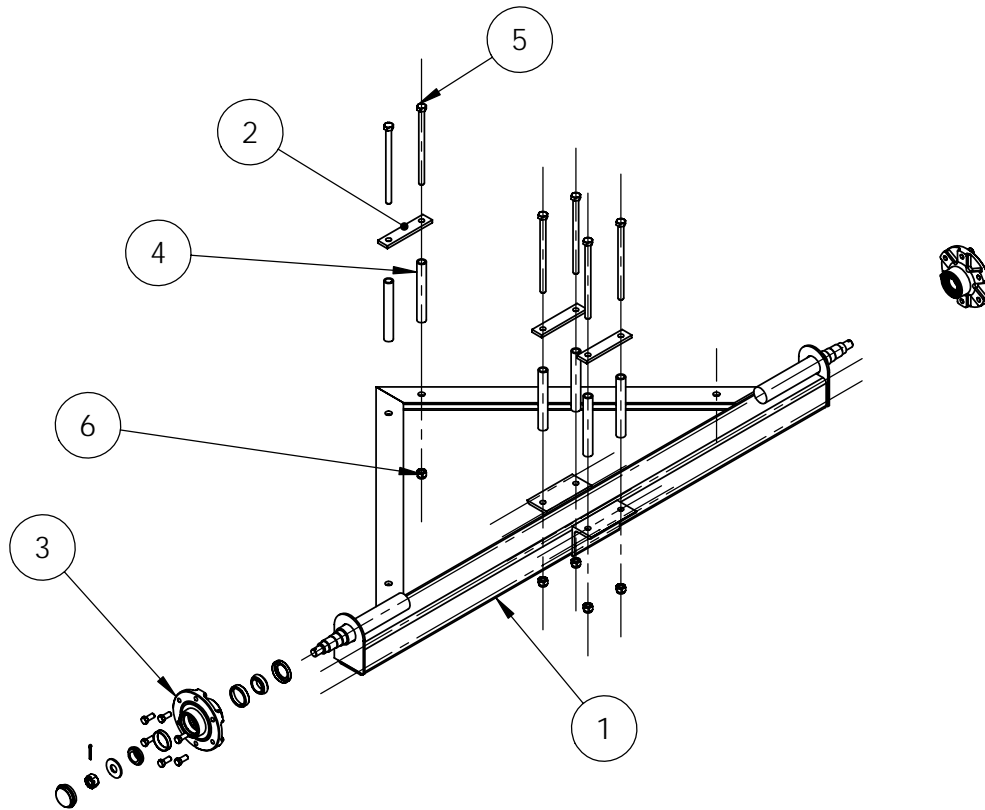
25 Ft Header Cart

John Deere Header with Offset Axle			
ITEM NO.	PART NUMBER	DESCRIPTION	QTY.
1	HC9-001	HEADER CART FRAME	1
2	HC9-006	HEADER SUPPORT	2
3	HC9-010	LOWER SUPPORT EXT.	2
4	HC9-011	UPPER SUPPORT EXTENSION	2
5	HC9-012	COVER PLATE	1
6	HC9-014	ADJUSTABLE HITCH	1
7	HC9-026	ADJUSTABLE HITCH	1
8	HC9-551	OFFSET AXLE ASSEMBLY	1
9	400-088	BACKING PLATE	1
10	5039-024	SAFETY CHAIN (3/8 X 24 WITH SAFETY HOOK)	2
11	5318-121	DOUBLE CLEVIS	1
12	5318-122	3" LUNETTE EYE	1
13	5318-123	2-5/16 BALL COUPLER	1
14	5639-584	TIRE & WHEEL 9.5L X 15 8 PLY RIB	2
15	6133-007	BUSHING	4
16	6329-055	TOPWIND TONGUE JACK	1
17	7113-103	CAP SCREW 1/2-13UNC X 1-3/4	2
18	7113-122	CAP SCREW 1/2-13UNC X 4	4
19	7113-135	CAP SCREW 1/2-13UNC X 6	2
20	7114-045	CAP SCREW 5/8-11UNC X 4-1/2	2
21	7114-060	CAP SCREW 5/8-11UNC X 6	4
22	7723-216	1/2" - 13 Hex Nut	8
23	7724-120	LOCK NUT 5/8-11UNC	6
24	7813-015	FLAT WASHER 1/2"	4
25	7893-004	MACH BSHG, 1/2 X 10GA NR	4
26	7920-003	#10 HITCH PIN	2



25 Ft Header Cart

Straight Axle Assembly P/N HC9-550

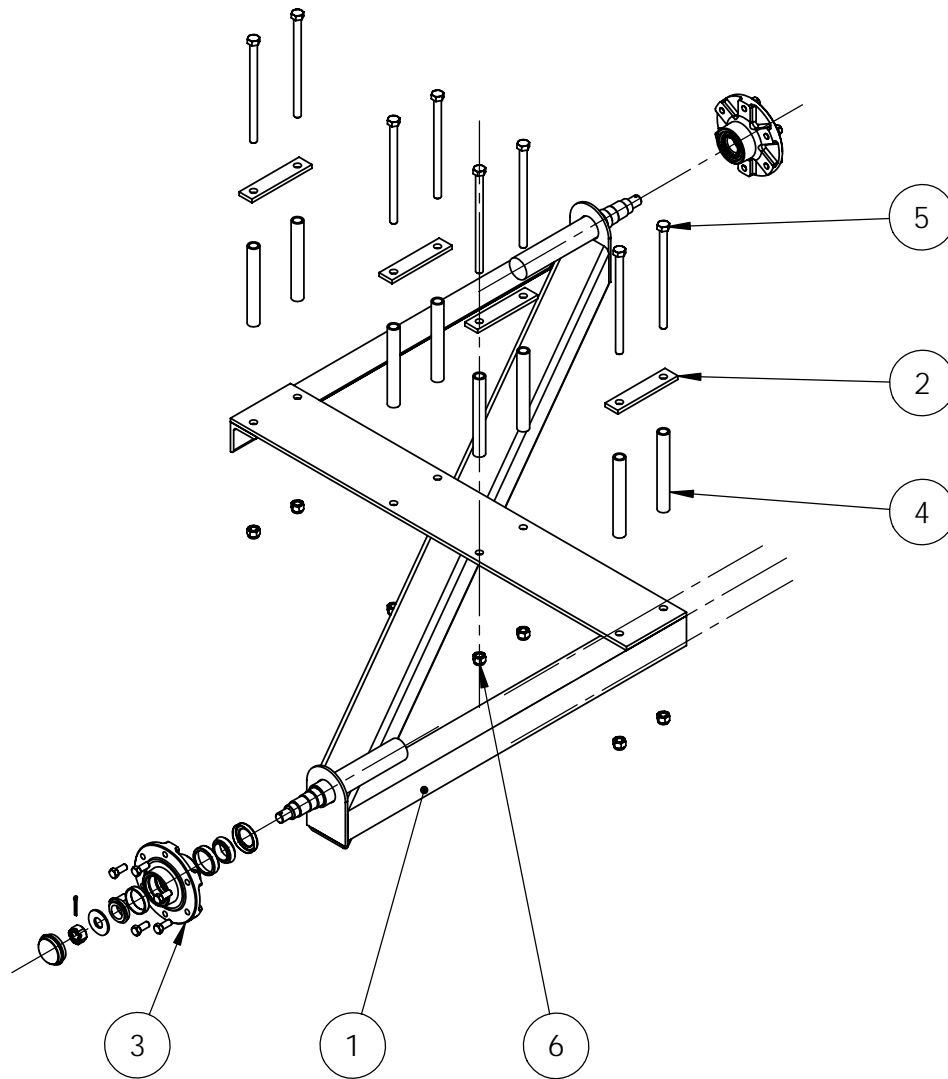


Straight Axle Parts Key P/N HC9-550			
ITEM NO.	PART NUMBER	DESCRIPTION	QTY.
1	HC9-004	STRAIGHT AXLE	1
2	HC9-028	BACKING PLATE (4.5 X 5/8)	3
3	5619-021	6-BOLT HUB ASSEMBLY	2
4	6143-020	BUSHING	6
5	7114-100	CAP SCREW 5/8-11UNC X 10	6
6	7724-120	LOCK NUT 5/8-11UNC	6



25 Ft Header Cart

Offset Axle Assembly P/N HC9-551



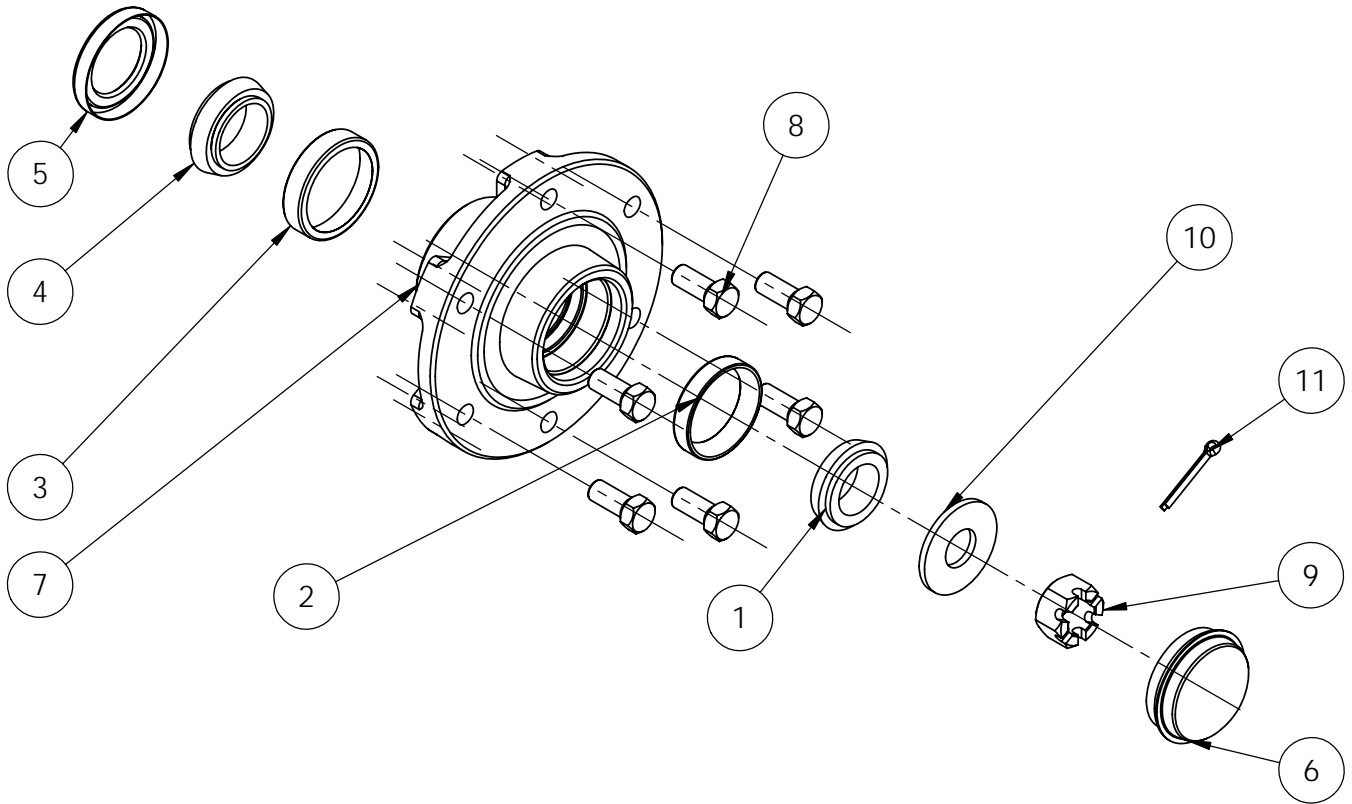
Offset Axle Parts Key P/N HC9-551

ITEM NO.	PART NUMBER	DESCRIPTION	QTY.
1	HC9-005	OFFSET AXLE	1
2	HC9-028	BACKING PLATE (4.5 X 5/8)	4
3	5619-021	6-BOLT HUB ASSEMBLY	2
4	6143-020	BUSHING	8
5	7114-100	CAP SCREW 5/8-11UNC X 10	8
6	7724-120	LOCK NUT 5/8-11UNC	8



25 Ft Header Cart

6-Bolt Hub Assembly P/N 5619-021



6-Bolt Hub Parts Key P/N 5619-021

ITEM NO.	PART NUMBER	DESCRIPTION	QTY.
1	5419-113	BEARING CONE, OUTER, 5/6-BOLT HUB	1
2	5419-118	CUP, OUTER, 6 BOLT HUB	1
3	5419-141	CUP, INNER, 6-BOLT HUB	1
4	5419-142	BEARING CONE, INNER, 6-BOLT HUB	1
5	5439-141	SEAL, 6-BOLT HUB	1
6	5469-006	HUB CAP, 6-BOLT HUB	1
7	5619-022	6-BOLT HUB, 6 BOLT CIRCLE	1
8	7333-006	1/2 X1 LUG BOLT	6
9	7715-875	7/8-14UNC SLOTTED NUT	1
10	7815-025	FLAT WASHER 7/8"	1
11	7910-162	COTTER PIN, 3/16 X 2 1/2	1



25 Ft Header Cart

Part Number Page Reference		
Part No.	Description	Page No.
400-088	BACKING PLATE	3,5,7,9
5039-024	SAFETY CHAIN (3/8 X 24 WITH SAFETY HOOK)	3,5,7,9
5318-121	DOUBLE CLEVIS	3,5,7,9
5318-122	3" LUNETTE EYE	3,5,7,9
5318-123	2-5/16 BALL COUPLER	3,5,7,9
5419-113	BEARING CONE, OUTER, 5/6 BOLT HUB	12
5419-118	CUP, OUTER, 6 BOLT HUB	12
5419-141	CUP, INNER, 6 BOLT HUB	12
5419-142	BEARING CONE	12
5439-141	SEAL, 6-BOLT HUB	12
5469-006	HUB CAP, 6-BOLT HUB	12
5619-021	6-BOLT HUB ASSEMBLY	10,11,12
5619-022	6-BOLT HUB, 6 BOLT CIRCLE	12
5639-584	TIRE & WHEEL 9.5L X 15 8 PLY RIB	3,5,7,9
6133-007	BUSHING	3,5,7,9
6143-020	BUSHING	10,11
6329-055	TOPWIND TONGUE JACK	3,5,7,9
7113-103	CAP SCREW 1/2-13UNC X 1-3/4	3,5,7,9
7113-122	CAP SCREW 1/2-13UNC X 4	3,5,7,9
7113-135	CAP SCREW 1/2-13UNC X 6	3,5,7,9
7114-045	CAP SCREW 5/8-11UNC X 4-1/2	3,5,7,9
7114-060	CAP SCREW 5/8-11UNC X 6	3,5,7,9
7114-100	CAP SCREW 5/8-11UNC X 10	10,11
7333-006	1/2 X1 LUG BOLT	12
7715-875	7/8-14UNC SLOTTED NUT	12
7723-216	1/2" - 13 Hex Nut	3,5,7,9
7724-120	LOCK NUT 5/8-11UNC	3,5,7,9
7813-015	FLAT WASHER 1/2"	3,5,7,9
7815-025	FLAT WASHER 7/8"	12
7893-004	MACH BSHG, 1/2 X 10GA NR	3,5,7,9
7910-162	COTTER PIN, 3/16 X 2 1/2	12
7920-003	#10 HITCH PIN	3,5,7,9
HC9-001	HEADER CART FRAME	3,5,7,9
HC9-004	STRAIGHT AXLE	10
HC9-005	OFFSET AXLE	11
HC9-006	HEADER SUPPORT	3,5,7,9
HC9-008	LOWER SUPPORT EXT.	3,7
HC9-010	LOWER SUPPORT EXT.	5,9
HC9-011	UPPER SUPPORT EXTENSION	3,5,7,9
HC9-012	COVER PLATE	3,5,7,9
HC9-014	ADJUSTABLE HITCH	3,5,7,9
HC9-026	ADJUSTABLE HITCH	3,5,7,9
HC9-028	BACKING PLATE (4.5 X 5/8)	10,11
HC9-550	STRAIGHT AXLE ASSEMBLY	10
HC9-551	OFFSET AXLE ASSEMBLY	11

