



**CDH, CFP AND CFP9XXX
LOVE FLEXIBLE FLOATING CUTTERBAR
PEA & LENTIL CUTTERBARS**

GARFIELD, WASHINGTON 99130-0188
(509)635-1321 ■ FAX: (509)635-1434

PRINTED IN U.S.A.

369CF-1/96.JEL

LOVE FLEXIBLE FLOATING CUTTERBARS

FOREWORD AND WARRANTY	1
SAFETY INTRODUCTION.....	2
INTRODUCTIONS	3, 4
CUTTERBAR MASTER KEY	5, 6, 7

CDH, CFP AND CFP9XXX CUTTERBAR PACKAGE.

SECTION 1

BARBACK, SICKLE AND LIFTER CHART	1-1
CDH, CFP AND CFP9XXX COMMON PARTS.....	1-2,3
CDH CUTTERBAR BARBACK, SICKLE AND RADIUS ROD PARTS	1-4, 5
CFP AND CFP9XXX BARBACK, SICKLE AND RADIUS ROD PARTS	1-6,7
LOVE E2 LIFTER PARTS	1-8

SICKLE DRIVE ASSEMBLIES.

SECTION 2

SICKLE DRIVE ASSEMBLIES CHART	2-1
CD300 POSI-GUIDE SICKLE DRIVE.....	2-2,3
CD306 POSI-ROLLER GUIDE SICKLE DRIVE	2-4,5
CF2306 POSI-ROLLER GUIDE SICKLE DRIVE.....	2-6,7
CF2650 POSI-ROLLER GUIDE SICKLE DRIVE.....	2-8,9
DUAL BALL JOINT DRIVE HEAD W/"CG" SICKLE	2-10
DUAL BALL JOINT DRIVE HEAD W/"CGB" SICKLE.....	2-11
DUAL BALL JOINT PITMANS	2-12, 13, 14, 15

SHOE ASSEMBLIES.

SECTION 3

SHOE ASSEMBLY CHART	3-1
CD7016 AND CD7018 SHOE ASSEMBLY PARTS	3-2
CM4018 SHOE ASSEMBLY PARTS.....	3-3
CM4053 SHOE ASSEMBLY PARTS.....	3-4

SPECIFIC MODEL KITS.

SECTION 4

THIS SECTION TO BE ADDED BY THE DEALER FOR COMBINE MAKE, MODEL AND HEADER WIDTH.
REFER TO CUTTERBAR MASTER KEY TO IDENTIFY KITS.



SAFETY INTRODUCTION

THE SAFETY-ALERT SYMBOL MEANS ATTENTION! BECOME ALERT! YOUR SAFETY IS INVOLVED! THIS SYMBOL IDENTIFIES IMPORTANT SAFETY MESSAGES IN THIS MANUAL. WHEN YOU SEE THIS SYMBOL, BE ALERT TO THE POSSIBILITY OF PERSONAL INJURY AND CAREFULLY READ THE MESSAGE THAT FOLLOWS.



DANGER

**ROTATING SHAFTS CAN CAUSE DEATH OR SEVERE INJURY.
- KEEP CLEAR - DO NOT OPERATE WITHOUT SHIELDS IN PLACE.**



CAUTION

BLOCK SECURELY

DO NOT PLACE YOURSELF UNDER ANY EQUIPMENT SUSPENDED HYDRAULICALLY, WITH MECHANICAL STOPS, JACKS OR HOISTS, WITHOUT BLOCKING SECURELY. MAKE SURE MACHINE CANNOT ROLL.



CAUTION

BEFORE POWER STARTING - CHECK TO INSURE THAT ALL BOLTS ARE PROPERLY TIGHTENED AND REEL IS FREE TO ROTATE. KEEP ALL PARTS OF BODY, CLOTHING AND ALL PERSONNEL CLEAR.



CAUTION

DO NOT SERVICE EQUIPMENT WHILE IT IS RUNNING. SHUT OFF POWER TO ADJUST, SERVICE OR CLEAN.

Introduction

CDH, CFP AND CFP9XXX LOVE CUTTERBARS

This manual is presented in the following sections:

1. Cutterbar Packages

CDH, CFP AND CFP9XXX

2. Sickle Drives

CD300, CD306, CF2306 and CF2650

3. Shoe Assemblies

CD7016, CD7018, CM 4018 and CM4053

4. Specific Model Kits

Kit numbers are listed in both the whole goods price list and the cutterbar master key. They may be ordered by combine make, model and header width.

Section I. Cutterbar packages

J. E. Love Company uses an Alpha-numerical identification system to identify its products and their components. Each part of the identification system provides specific information. Cutterbar package information is listed on the cutterbar master key. This list identifies the cutterbar package by combine make/model, header number or series, header width and if needed by serial number.

Currently all cutterbar packages are for left end drive combines. Meaning the left end facing the operational direction of travel.

Pea and lentil cutterbar packages will have an alpha identification of CDH or CFP. Followed by a numerical identification of either three (3) or four (4) numbers and a letter "C".

Examples:

CDH

Cutterbar packages have the sickle drive location at guard holes 7, 8, 9, 10.

CDH-240C

The "240" is the length of the cutterbar in inches.

"C" indicates chrome sickle, which will be identified with a prefix of CD or CH.

CFP

Cutterbar packages have the sickle drive location at guard holes 9, 10, 11, 12.

CFP-240C

Again the "240" is the length of the cutterbar in inches.

"C" indicates chrome. This cutterbar package will use replacement sickles prefixed with CF, CG and CGB.

CFP9240C

Cutterbar packages have the sickle drive location at guard holes 9, 10, 11, 12.

"9" indicates a dual ball joint pitman drive.

"240" is the length of the cutterbar.

"C" indicates a chrome sickle. This cutterbar package will use replacement sickles prefixed with CF, CG and CGB.

CDH, CFP AND CFP9XXX

Cutterbar packages utilize Love E2 lifters. The standard spacing for the E2 lifter is 12".

Section 2.

The following chart will assist in identifying the different drive assemblies available on Love Flexible Floating Cutterbars and clarifying which sickle drive head, sickles and components are used on which cutterbar packages.

**CDH, CFP AND CFP9XXX CUTTERBAR
SICKLE DRIVE ASSEMBLY CHART**

<u>SICKLE DRIVE ASSEMBLY</u>	<u>SICKLE DRIVE HEAD</u>	<u>DRIVE SHIELD</u>	<u>CUTTERBAR PACKAGE</u>
CD 300 POSI-GUIDE REFER	CF2123	CD287	CDH 1970-1975
CD 306 POSI-ROLLER GUIDE	CF2770	CD287	CDH 1976 & LATER
CF2306 POSI-ROLLER GUIDE	CF2770	CF2297	CFP 1976 & LATER, EXCEPT CFP9XXX
CF2650 POSI-ROLLER GUIDE, DUAL BALL JOINT PITMAN	CF2629	CF2647	CFP 9XXX SERIES

Note: Drive head CF2123 must be used on sickle drive assemblies equipped with CF2192 guide blocks.

Commencing 1995 Drive Head CF2770 will replace drive head CQ2003.

Commencing 1995 Drive Head CF2629 will replace drive head CQ2051.

Section 3. Shoe Assemblies

Following the sickle drive information will be a shoe assembly chart identifying by shoe assembly the specific kit and which each shoe assembly will fit. Also by header width (feet), the number of shoes needed for that kit.

Section 4. Specific Model Kit

Each combine make and model, header width and if needed serial number is identified by a specific model kit. Each kit contains mounting instructions and specific parts. These instructions may be ordered and added to this manual.

CDH, CFP AND CFP9XXX CUTTERBAR MASTER KEY

COMBINE MAKE, MODEL/PLATFORM	HEADER WIDTH (FEET)	CUTTERBAR PACKAGE	SPECIFIC MODEL KIT	SLOWDOWN EQUIPMENT	HEADER ANGLE
A.C. GLEANER - HILLSIDE - CDH					
MH, MH2, MH3	18	CDH-216C	ACH-6	NOT REQ'D	CD264
MH, MH2, MH3	20	CDH-240C	ACH-7	NOT REQ'D	CD263
MH, MH2, MH3	22	CDH-264C	ACH-9	NOT REQ'D	CD278

A.C. GLEANER - N MODELS - NOT INTENDED FOR USE with LOVE HEADER ANGLE ADAPTER KITS

(1982 on, Series 3) - CFP (SERIAL #'s 8101-19300)

N5, N6, N7	16	CFP-192C	AC-26	CD1039	NOT REQ'D
N5, N6, N7	18	CFP-216C	AC-27	CD1039	NOT REQ'D
N5, N6, N7	20	CFP-240C	AC-28	CD1039	NOT REQ'D
N5, N6, N7	22	CFP-264C	AC-29	CD1039	NOT REQ'D
N5, N6, N7	24	CFP-288C	AC-30	CD1039	NOT REQ'D

A.C. GLEANER - N MODELS - TO BE INSTALLED with LOVE HEADER ANGLE ADAPTER KITS

(1982 on, SERIES 3) - CFP (SERIAL #'s 8101-19300)

N5, N6, N7	18	CFP-216C	AC-27	w/H.A.	CF523
N5, N6, N7	20	CFP-240C	AC-28	w/H.A.	CF522
N5, N6, N7	22	CFP-264C	AC-29	w/H.A.	CF521
N5, N6, N7	24	CFP-288C	AC-30	w/H.A.	CF520

A.C. GLEANER - N & R MODELS

(1985 on, SERIES 3) - CFP (SERIAL #'s 19301 & UP)

N5, N6, N7	20	CFP9240C	AC-34	w/H.A.	CF522
N5, N6, N7	22	CFP9264C	AC-35	w/H.A.	CF521
N5, N6, N7	24	CFP9288C	AC-36	w/H.A.	CF520

A.C. GLEANER - 400 SERIES HEADERS

20
22
25

CASE-IH LEVEL LAND AND 1670 HILLSIDE

1010 HEADERS ON MODELS

1640, 1660, 1670, 1680	17½	CFP9210C	CAH-17	SEE NOTE*	CF524
1640, 1660, 1670, 1680	20	CFP9240C	CAH-20	SEE NOTE*	CF525
1640, 1660, 1670, 1680	22½	CFP9270C	CAH-22	SEE NOTE*	CF526
1640, 1660, 1670, 1680	25	CFP9300C	CAH-25	SEE NOTE*	CF527

(*NOTE: HEADER NEEDS TO BE EQUIPPED WITH CASE-IH 1316047C1 TO OBTAIN 500 CPM SPEED.
IF EQUIPPED WITH CASE-IH 1316045C1 (600 CPM) ORDER THE 1316047C1 PULLEY ASSEMBLY FROM DEALER.)

IHC - LEVEL LAND AND 1470 HILLSIDE CFP - NOT INTENDED FOR USE with LOVE HEADER ANGLE ADAPTER KITS

(1974 THRU 1981 QUICK-ATTACH HEADERS WITH 600 CPM SICKLE DRIVES)

(NOTE: ASSUMES 'C' WIDTH PULLEY, IF 'D' WIDTH PULLEY, PLEASE SPECIFY.)

1440, 1460, 1470, 1480	17½	CFP-207C	IHH-7	CD1023	NOT REQ'D
1440, 1460, 1470, 1480	20	CFP-237C	IHH-4	CD1023	NOT REQ'D
1440, 1460, 1470, 1480	22½	CFP-267C	IHH-5	CD1023	NOT REQ'D
1440, 1460, 1470, 1480	24	CFP-285C	IHH-6	CD1023	NOT REQ'D

(1982 and LATER 810 QUICK-ATTACH HEADERS (SMALL AUGER) WITH 600 CPM SICKLE DRIVES)

1440, 1460, 1470, 1480	17½	CFP-207C	IHH-7	CD1032+ CD1035V	NOT REQ'D
1440, 1460, 1470, 1480	20	CFP-237C	IHH-4	CD1032+ CD1035V	NOT REQ'D
1440, 1460, 1470, 1480	22½	CFP-267C	IHH-5	CD1032+ CD1035V	NOT REQ'D
1440, 1460, 1470, 1480	24	CFP-285C	IHH-6	CD1032+ CD1035V	NOT REQ'D

CDH, CFP AND CFP9XXX CUTTERBAR MASTER KEY

COMBINE MAKE, MODEL/PLATFORM	HEADER WIDTH (FEET)	CUTTERBAR PACKAGE	SPECIFIC MODEL KIT	SLOWDOWN EQUIPMENT	HEADER ANGLE
---------------------------------	---------------------------	----------------------	-----------------------	-----------------------	-----------------

IHC - LEVEL LAND AND 1470 HILLSIDE CFP - NOT INTENDED FOR USE with LOVE HEADER ANGLE ADAPTER KITS
(1974 THRU 1981 QUICK-ATTACH HEADERS WITH 600 CPM SICKLE DRIVES)
(NOTE: ASSUMES 'C' WIDTH PULLEY, IF 'D' WIDTH PULLEY, PLEASE SPECIFY.)

(1983 and LATER 810 SPECIAL QUICK-ATTACH HEADERS (LARGE AUGER) WITH 600 CPM SICKLE DRIVES)

1440, 1460, 1470, 1480.....	17½	CFP-207C	IHH-10	CD1032+ RVC96	NOT REQ'D
1440, 1460, 1470, 1480.....	20	CFP-237C	IHH-11	CD1032+ RVC96	NOT REQ'D
1440, 1460, 1470, 1480.....	22½	CFP-267C	IHH-12	CD1032+ RVC96	NOT REQ'D
1440, 1460, 1470, 1480.....	24	CFP-285C	IHH-13	CD1032+ RVC96	NOT REQ'D

IHC - LEVEL LAND AND 1470 HILLSIDE - CFP - TO BE INSTALLED with LOVE HEADER ANGLE ADAPTER KITS
(1974 thru 1981 810 QUICK-ATTACH HEADERS WITH 600 CPM SICKLE DRIVES)
(NOTE: ASSUMES 'C' WIDTH PULLEY, IF 'D' WIDTH PULLEY, PLEASE SPECIFY.)

1440, 1460, 1470, 1480.....	17½	CFP-207C	IHH-7	w/H.A.	CF303
1440, 1460, 1470, 1480.....	20	CFP-237C	IHH-4	w/H.A.	CF300
1440, 1460, 1470, 1480.....	22½	CFP-267C	IHH-5	w/H.A.	CF301
1440, 1460, 1470, 1480.....	24	CFP-285C	IHH-6	w/H.A.	CF302

(1982 and LATER 810 QUICK-ATTACH HEADERS (SMALL AUGER) WITH 600 CPM SICKLE DRIVES)

1440, 1460, 1470, 1480.....	17½	CFP-207C	IHH-7	w/H.A.	CF512
1440, 1460, 1470, 1480.....	20	CFP-237C	IHH-4	w/H.A.	CF513
1440, 1460, 1470, 1480.....	22½	CFP-267C	IHH-5	w/H.A.	CF514
1440, 1460, 1470, 1480.....	24	CFP-285C	IHH-6	w/H.A.	CF515

(1983 and LATER 810 SPECIAL QUICK-ATTACH HEADERS (LARGE AUGER) WITH 600 CPM SICKLE DRIVES)

1440, 1460, 1470, 1480.....	17½	CFP-207C	IHH-10	w/H.A.	CF516
1440, 1460, 1470, 1480.....	20	CFP-237C	IHH-11	w/H.A.	CF517
1440, 1460, 1470, 1480.....	22½	CFP-267C	IHH-12	w/H.A.	CF518
1440, 1460, 1470, 1480.....	24	CFP-285C	IHH-13	w/H.A.	CF519

JOHN DEERE - HILLSIDE - CDH

6602, 6622.....	18	CDH-213C	JDH-8	NOT REQ'D	CD254
6602, 6622.....	20	CDH-237C	JDH-9	NOT REQ'D	CD258

JOHN DEERE - 222 and 224 HILLSIDE HEADERS - CFP

6622, 7722.....	22	CFP9261C	JD-96	CD1025	CD271
7722.....	24	CFP9285C	JD-97	CD1025	CD276

JOHN DEERE - LEVEL LAND - CFP

200 SERIES QUICK-ATTACH HEADER ON MODELS

3300, 4400, 6600, Side Hill 6600, 7700, 4420, 6620, Side Hill 6620, 7720, 8820

216.....	16	CFP9189C	JD-93	CD1025	NA
218.....	18	CFP9213C	JD-94	CD1025	NA
220.....	20	CFP9237C	JD-95	CD1025	CD270
222.....	22	CFP9261C	JD-96	CD1025	CD271
224.....	24	CFP9285C	JD-97	CD1025	CD276

*NOTE: Beginning with 1991 production, LOVEBARS for John Deere 200 Series platforms will come equipped with 900 Series improvements which include heavier drive and bearing components and a double ball joint pitman. Older 200 Series LOVEBARS can be upgraded with the purchase of these parts.

WHEN ORDERING, SPECIFY COMBINE MAKE, MODEL, YEAR, HEADER MODEL, AND LENGTH. TYPE OF SICKLE DRIVE INCLUDING PULLEY SIZE AND CPM SICKLE SPEED MAY BE REQUIRED INFORMATION FOR SOME HEADERS.

CDH, CFP AND CFP9XXX CUTTERBAR MASTER KEY

COMBINE MAKE, MODEL/PLATFORM	HEADER WIDTH (FEET)	CUTTERBAR PACKAGE	SPECIFIC MODEL KIT	SLOWDOWN EQUIPMENT	HEADER ANGLE
JOHN DEERE - LEVEL LAND - CFP					
900 SERIES QUICK-ATTACH HEADER ON MODELS 9400, 9500, 9600					
918.....	18	CFP9213C	JD-94	SEE NOTE*	NA
920.....	20	CFP9237C	JD-95	SEE NOTE*	CD270
922.....	22	CFP9261C	JD-96	SEE NOTE*	CD271
924.....	24	CFP9285C	JD-97	SEE NOTE*	CD276
925.....	25	CFP9303C	JD-98	SEE NOTE*	CD277

*NOTE: A John Deere change from round to hexagonal shafting for the sickle drive determines which 10^{3/8}" O.D. slowdown sheave to use. The LOVE CD 1025 (round bore) is required on the following headers up to the serial number referenced: 913,-925338; 915,-625648; 918,-625711; 920,-626102; 922,-626169; 924,-626456; 924HH,-626169. 900 series headers after serial number 635101 should be fitted with John Deere sheave #AH124526 (hex bore), 10^{3/8}" O.D.

WHEN ORDERING, SPECIFY COMBINE MAKE, MODEL, YEAR, HEADER MODEL, AND LENGTH. TYPE OF SICKLE DRIVE INCLUDING PULLEY SIZE AND CPM SICKLE SPEED MAY BE REQUIRED INFORMATION FOR SOME HEADERS.

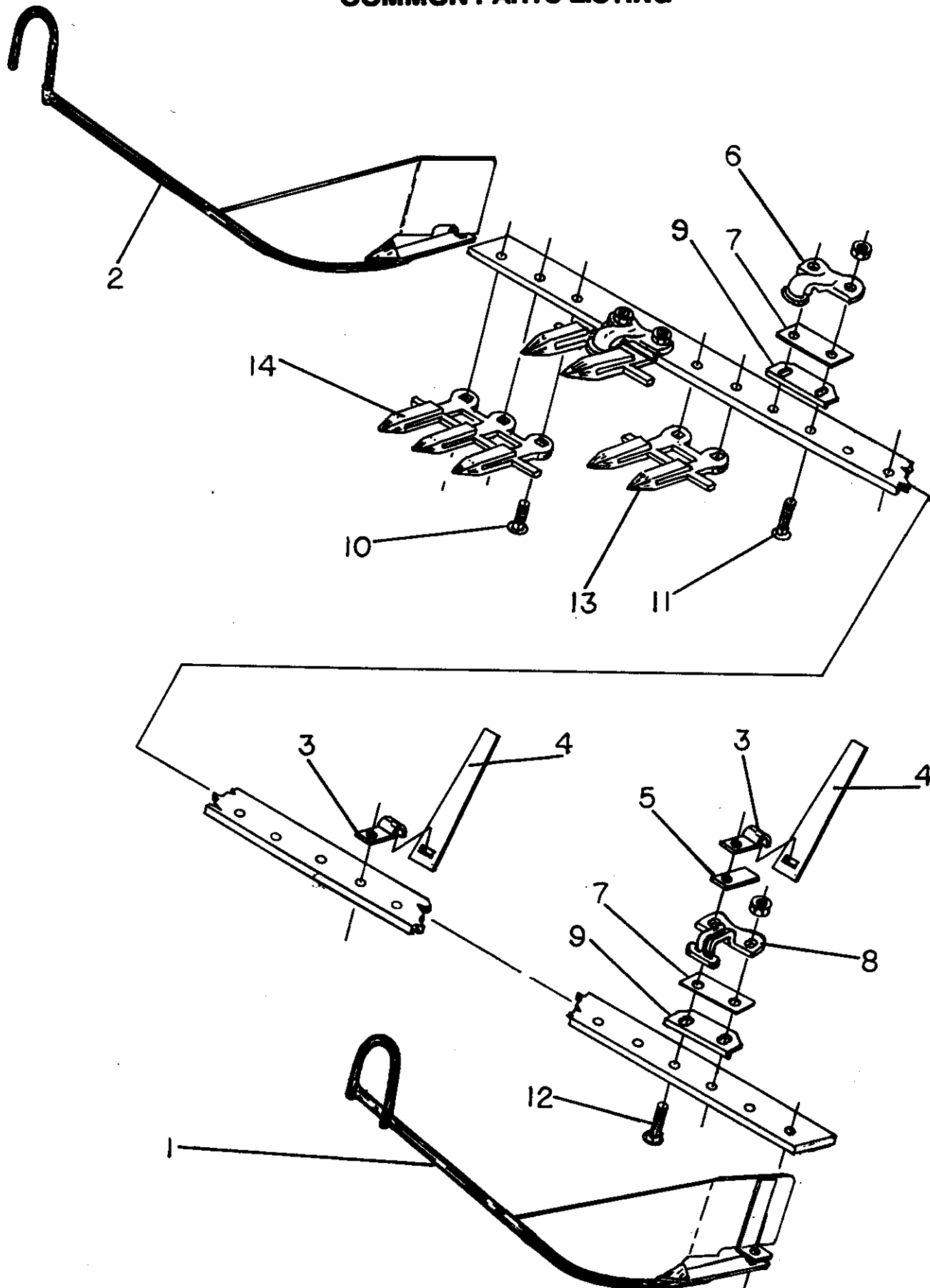
SECTION 1

**CDH, CFP AND CFP9XXX
CUTTERBAR PACKAGE
BARBACK, SICKLE AND LIFTER CHART**

CUTTERBAR PACKAGE NUMBER	HEADER WIDTH (FEET)	BARBACK NUMBER	SICKLE NUMBER [1]	NUMBER OF LIFTERS
CDH-213C	18	CD7213	CH 18 B/C	18
CDH-216C	18	CD7216	CH 18 B/C	18
CDH-237C	20	CD7237	CH 20 B/C	20
CDH-240C	20	CD7240	CH 20 B/C	22
CDH-264C	22	CD7264	CH 22 B/C	22
CFP-192C	16	CF7192	CG 16 B/C	16
CFP-207C	17	CF7207	CG 17 B/C	17
CFP-216C	18	CF7216	CG 18 B/C	18
CFP-237C	20	CF9237	CG 20 B/C	20
CFP-240C	20	CF9240	CG 20 B/C	20
CFP-264C	22	CF9264	CG 22 B/C	22
CFP-267C	22	CF9267	CG 22 B/C	22
CFP-285C	24	CF9285	CG 24 B/C	24
CFP-288C	24	CF9288	CG 24 B/C	24
CFP9189C	16	CF7189	CG 16 B/C	16
CFP9210C	17-1/2	CF7210	CG 17-1/2 B/C	17
CFP9213C	18	CF7213	CG 18 B/C	18
CFP9237C	20	CF9237	CG 20 B/C	20
CFP9240C	20	CF9240	CG 20 B/C	20
CFP9261C	22	CF9261	CG 22 B/C	22
CFP9270C	22-1/2	CF9270	CG 22-1/2 B/C	22
CFP9285C	24	CF9285	CG 24 B/C	24
CFP9300C	25	CF9300	CG 25 B/C	25
CFP9303C	25	CF9303	CG 25 B/C	25

[1] - B Sickles are black sections
C Sickles are chrome sections

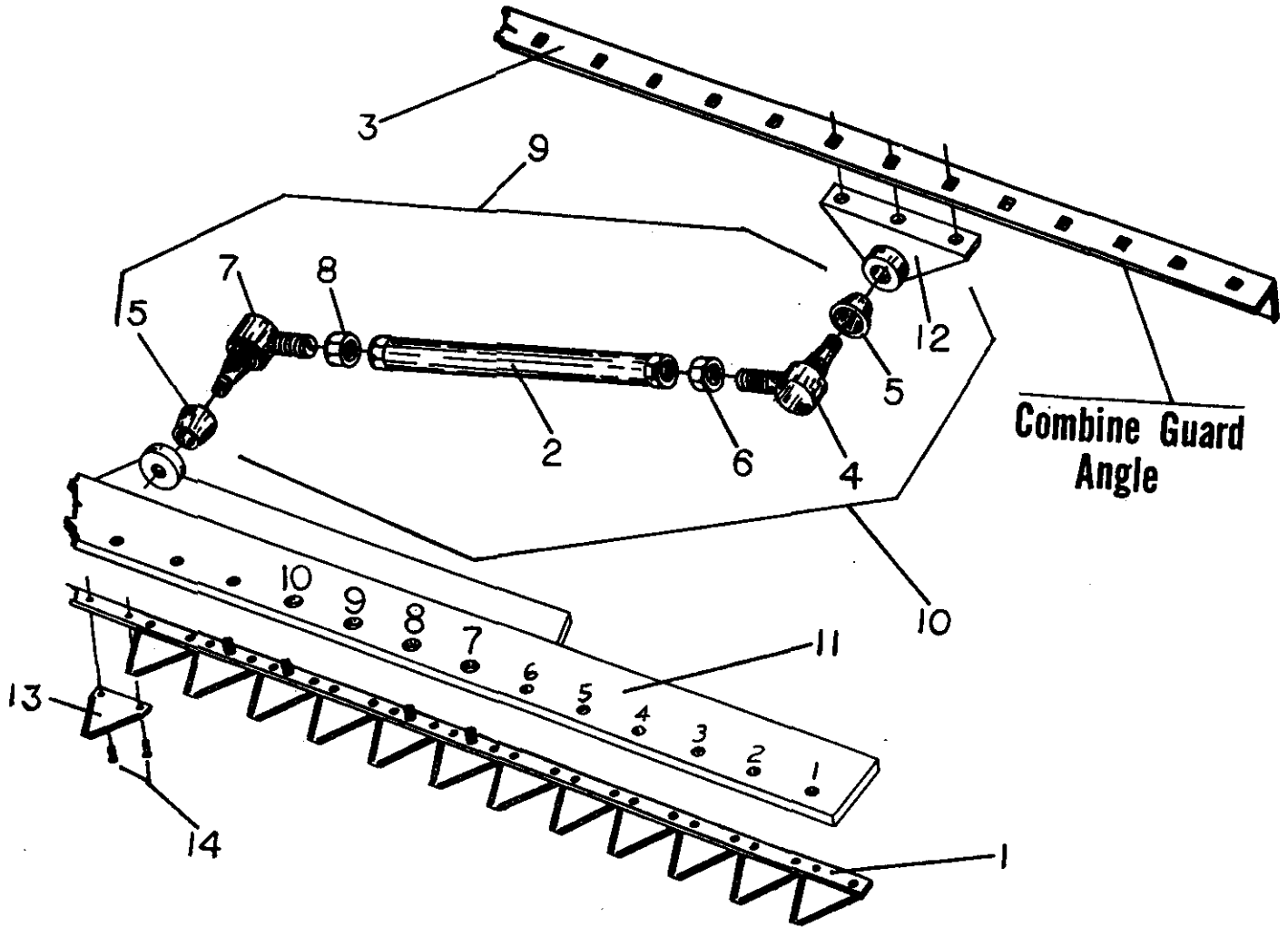
CDH, CFP AND CFP9XXX CUTTERBAR COMMON PARTS LISTING



CDH, CFP AND CFP9XXX CUTTERBAR COMMON PARTS LISTING

<u>KEY</u>	<u>PART NUMBER</u>	<u>DESCRIPTION</u>	<u>WT LBS.</u>
1	CF2161	OUTER DIVIDER, L.E.	3.75
2	CF2162	OUTER DIVIDER, R.E.	3.75
3	CF2189	HINGE, HOLD DOWN	0.10
4	CF2193	HINGE FEATHER	0.20
5	CF2195	BASE PLATE, HINGE FEATHER	0.10
6	L221A	KNIFE CLIP, STD	0.75
7	L221S	SHIM, KNIFE CLIP	0.10
8	L222	KNIFE CLIP, HIGH BRIDGE	0.75
9	L260	WEAR PLATE, STD	0.25
10	L316	GUARD BOLT, 7/16" X 1-3/8" 25/BOX	2.50
11	L318	GUARD BOLT, 7/16" X 1-5/8" 25/BOX	2.65
12	L320	GUARD BOLT, 7/16" X 2" 25/BOX	3.00
13	LB214	GUARD, DROP FORGED - DOUBLE	1.25
14	LB215	GUARD, DROP FORGED - TRIPLE	1.75

CDH CUTTER BAR BARBACK, SICKLE AND RADIUS ROD



<u>KEY</u>	<u>PART NUMBER</u>	<u>DESCRIPTION</u>	<u>WT LBS.</u>
1*	CD18B	SICKLE, 18 FT - L192D SECTION W/L325B RIVET	18
	CD18C	SICKLE, 18 FT - L192DC SECTION W/L325B RIVET	18
	CH18B	SICKLE, 18 FT - L193 SECTION W/L326C RIVET	18
	CH18C	SICKLE, 18 FT - L193C SECTION W/L326C RIVET	18
	CD20B	SICKLE, 20 FT - L192D SECTION W/L325B RIVET	20
	CD20C	SICKLE, 20 FT - L192DC SECTION W/L325C RIVET	20
	CH20B	SICKLE, 20 FT - L193 SECTION W/L326C RIVET	20
	CH20C	SICKLE, 20 FT - L193C SECTION W/L326C RIVET	20
	CD22B	SICKLE, 22 FT - L192D SECTION W/L325B RIVET	22
	CD22C	SICKLE, 22 FT - L192DC SECTION W/L325B RIVET	22
	CH22B	SICKLE, 22 FT - L193 SECTION W/L326C RIVET	22
	CH22C	SICKLE, 22 FT - L193C SECTION W/L326C RIVET	22
2	CD45	COUPLER, RADIUS ROD	1.5

*REFER TO BARBACK, SICKLE AND LIFTER CHART

CDH CUTTER BAR BARBACK, SICKLE AND RADIUS ROD

<u>KEY</u>	<u>PART NUMBER</u>	<u>DESCRIPTION</u>	<u>WT LBS.</u>
3 **	CD254	HEADER ANGLE, JD 6602, 6622 - 18 FT.	27
	CD258	HEADER ANGLE, JD 6602, 6622 - 20 FT.	30
	CD263	HEADER ANGLE, AGCO MH, MH2, MH3 - 20 FT.	30
	CD264	HEADER ANGLE, AGCO MH, MH2, MH3 - 18 FT.	27
	CD278	HEADER ANGLE, AGCO MH, MH2, MH3 - 22 FT.	33

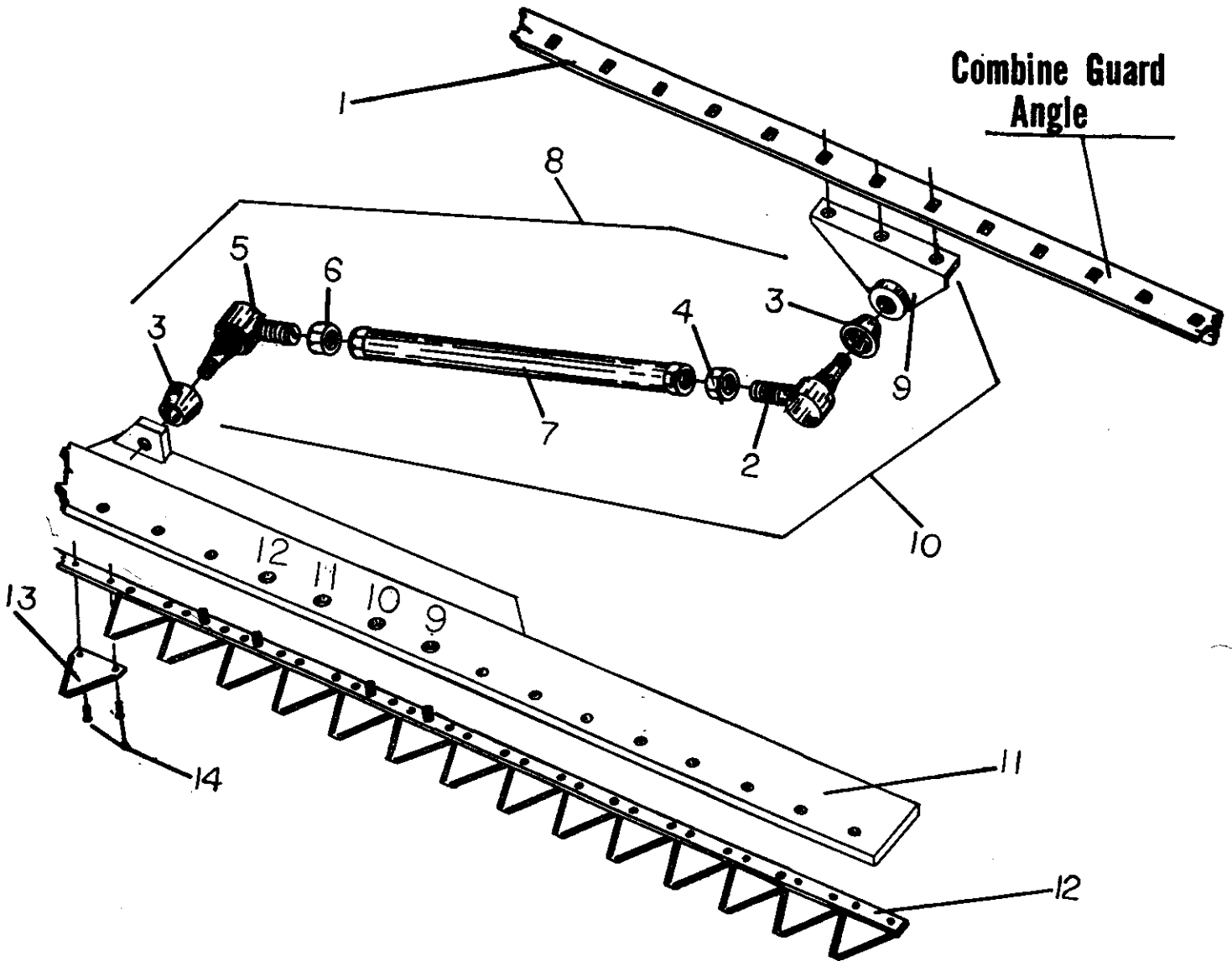
LOVE HEADER ANGLES ARE AVAILABLE AS AN OPTION FOR QUICK CHANGE OVER FROM PEAS - LENTILS TO REGULAR WHEAT GUARDS. OTHERWISE THE STANDARD COMBINE GUARD ANGLE MAY BE USED TO MOUNT THE CUTTERBAR.

4	CD550	BALL JOINT, R.H.	1.5
5	CD550R	SEAL, RUBBER (INCLUDED W/CD550 & CD553)	0.02
6	CD552	NUT, JAM, R.H.	0.01
7	CD553	BALL JOINT, L.H.	1.5
8	CD574	NUT, JAM, R.H.	0.01
9	CD7035	RADIUS ROD ASSEMBLY	3.5
10	CD7036	RADIUS ROD ASSEMBLY, W/HEADER ANCHOR	4.5
11*	CDH7213	BARBACK, 213"	68.0
	CDH7216	BARBACK, 216"	70.0
	CDH7237	BARBACK, 237"	75.60
	CDH7240	BARBACK, 240"	77.50
	CDH7264	BARBACK, 264"	84.25
12	CF7033	HEADER ANCHOR, RADIUS ROD	1.0
13	L192D	SECTION, SICKLE, BLACK - UNDERSERRATED, 3" - 25/BX	4.0/BX
	L192DC	SECTION, SICKLE, CHROME - UNDERSERRATED, 3" - 25/BX	4.0/BX
	L193	SECTION, SICKLE, BLACK - OVERSERRATED, 3" - 25/BX	4.0/BX
	L193C	SECTION, SICKLE, CHROME, OVERSERRATED, 3" - 25/BX	4.0/BX
14	L325B	RIVET, CSK - #5-1/2 X 5/8", 1 LB. BOX	1.0
	L326C	RIVET, OVAL HEAD - 7/32" X 5/8", 1 LB. BOX	1.0

* REFER TO BARBACK SICKLE & LIFTER CHART

** REFER TO MASTER CUTTERBAR KEY

CFP AND CFP9XXX BARBACK, SICKLE AND RADIUS ROD



<u>KEY</u>	<u>PART NUMBER</u>	<u>DESCRIPTION</u>	<u>WT LBS.</u>
1	CDXXX CFXXX	HEADER ANGLE, REFER TO CUTTERBAR MASTER KEY HEADER ANGLE, REFER TO CUTTERBAR MASTER KEY	
2	CD550	BALL JOINT, R.H.	1.5
3	CD550R	SEAL, RUBBER (INCLUDED W/CD550 & CD553)	0.02
4	CD552	NUT, JAM, R.H.	0.01
5	CD553	BALL JOINT, L.H.	1.5
6	CD574	NUT, JAM, L.H.	0.01
7	CF7034	RADIUS ROD COUPLER	1.75
8	CF7035	RADIUS ROD ASSEMBLY	3.75

CFP AND CFP9XXX BARBACK, SICKLE AND RADIUS ROD

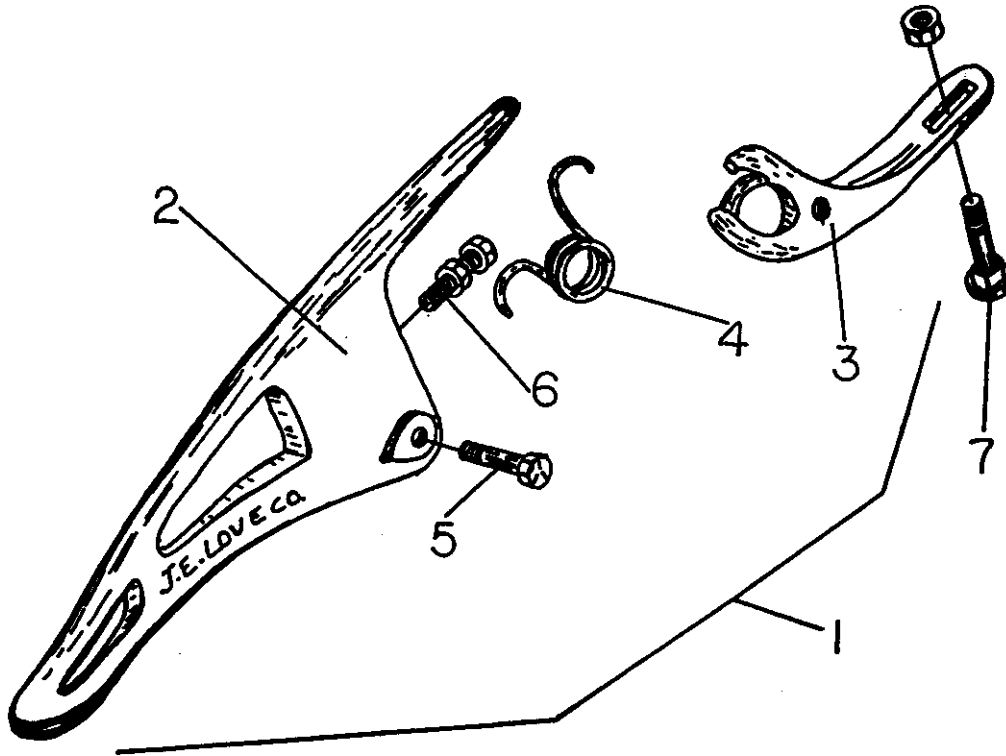
<u>KEY</u>	<u>PART NUMBER</u>	<u>DESCRIPTION</u>	<u>WT LBS.</u>
9	CF7050	HEADER ANCHOR, RADIUS ROD	1.0
10	CF7051	RADIUS ROD ASSEMBLY, W/HEADER ANCHOR	4.75
11*	CF7XXX	BARBACK	4.0/FT
	CF9XXX	BARBACK, 9XXX SERIES	
12*	CGXXB	SICKLE, L193 SECTIONS, BLACK, L326C RIVET	1.37/FT
	CGXXC	SICKLE, L193 SECTIONS, CHROME, L326C RIVET	
	CGBXXB	SICKLE, L193 SECTIONS, BLACK, BOLT-ON	
	CGBXXC	SICKLE, L193 SECTIONS, CHROME, BOLT-ON	
13	L193	SECTION, SICKLE, BLACK, OVERSERRATED, 3" - 25/BX	4.0/BX
	L193C	SECTION, SICKLE, CHROME, OVERSERRATED, 3" - 25/BX	4.0/BX
14	L326C	RIVET, OVAL HEAD, 7/32" X 5/8", 1 LB. BOX	1.0

NOTE: CG SICKLES USE L326C RIVETS.

CGB SICKLES USE: X2NS1, BOLT (ON SECTIONS), ORDER BY PART NO. L428 - 25/BX
 X2NS3, BOLT (ON DRIVE HEAD), ORDER BY PART NO. L429 - 25/BX
 X2NS2, NUT, ORDER BY PART NO. L430 - 25/BX

* REFER TO BARBACK, SICKLE AND LIFTER CHART

LOVE E2 LIFTER



<u>KEY</u>	<u>PART NUMBER</u>	<u>DESCRIPTION</u>	<u>WT LBS.</u>
1	E2	LIFTER, COMPLETE	3.40
2	E10	HEAD, LIFTER E2	2.25
3	E11	SHANK, LIFTER E2	1.00
4	E12	SPRING, LIFTER E2	0.10
5	E13	PIVOT BOLT, LIFTER E2	0.15
6	E63	ADJUSTMENT BOLT, LIFTER E2	0.15
7	X2B0430200*	BOLT, CARRIAGE, 7/16" X 2", 25/BX	3.50
	X2B0430225*	BOLT, CARRIAGE, 7/16" X 2-1/4", 25/BX	3.75
	X2B0430275*	BOLT, CARRIAGE, 7/16: X 2-3/4", 25/BX	4.40

*NOT PART OF E2 LIFTER

SECTION 2

LOVE FLEXIBLE FLOATING CUTTERBAR SICKLE DRIVE ASSEMBLY CHART

The following chart will assist in identifying the different drive assemblies available on Love Flexible Floating Cutterbars and clarifying which sickle drive head, sickles and components are used on which cutterbar packages.

<u>SICKLE DRIVE ASSEMBLY</u>	<u>SICKLE DRIVE HEAD</u>	<u>DRIVE SHIELD</u>	<u>CUTTERBAR PACKAGE</u>
CD 300 POSI-GUIDE REFER	CF2123	CD287	CDH 1970-1975
CD 306 POSI-ROLLER GUIDE	CF2770	CD287	CDH 1976 & LATER
CF2306 POSI-ROLLER GUIDE	CF2770	CF2297	CFP 1976 & LATER, EXCEPT CFP9XXX
CF2650 POSI-ROLLER GUIDE, DUAL BALL JOINT PITMAN	CF2629	CF2647	CFP 9XXX SERIES

Note: Drive head CF2123 must be used on sickle drive assemblies equipped with CF2192 guide blocks.

Commencing 1995 Drive Head CF2770 will replace drive head CQ2003.

Commencing 1995 Drive Head CF2629 will replace drive head CQ2051.

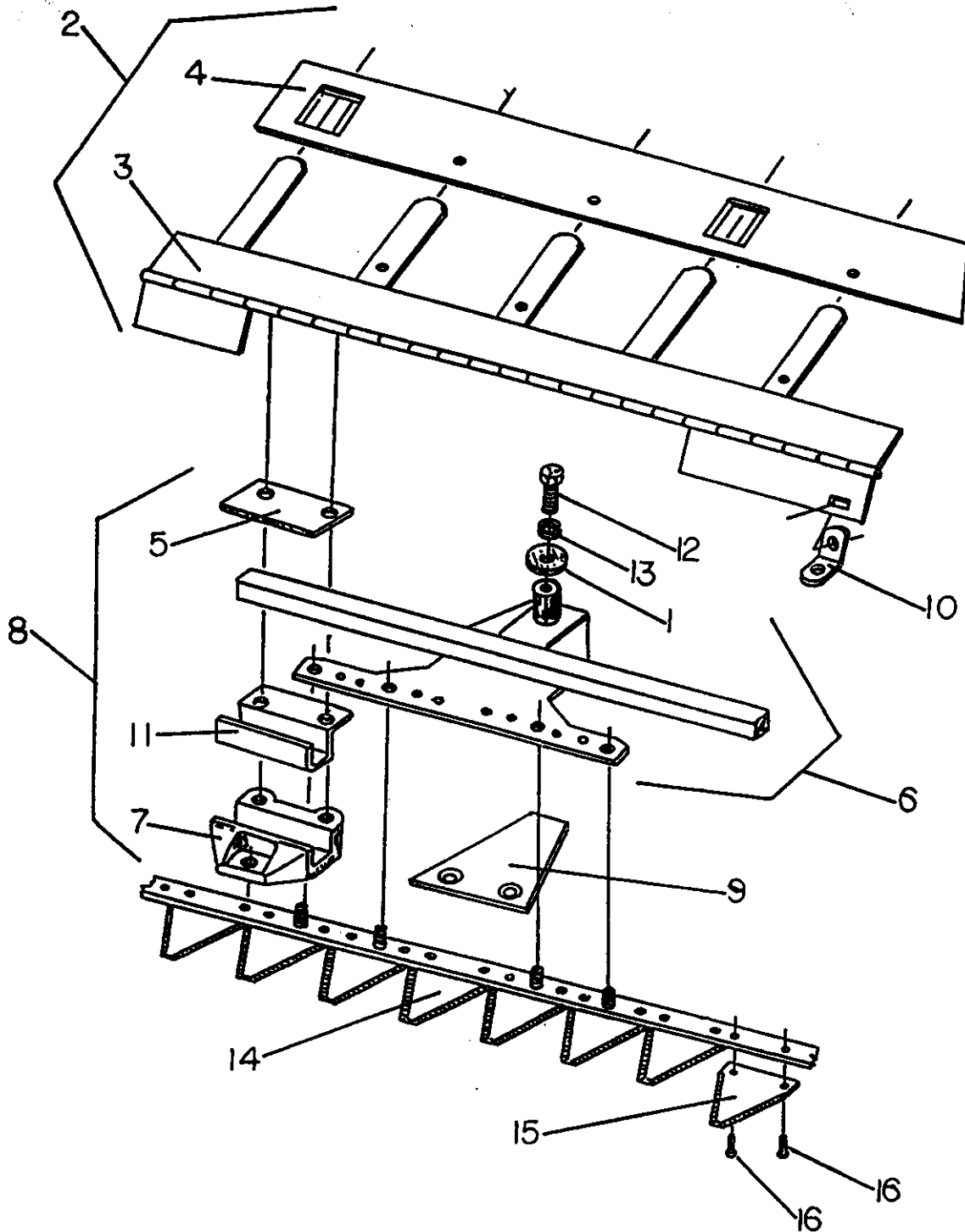


CAUTION: TURN OFF THE MACHINE COMPLETELY AND SECURELY BLOCK THE PLATFORM (HEADER PRIOR TO MAKING ANY ADJUSTMENTS.

The key points to successful operation are:

1. Properly time sickles - point of section moves from guard point to guard point.
2. Make sure bar is free to float with no binding in drive linkage or shoe suspension. The bar should be loose. A stiff bar causes excessive dirt to flow over the bar.
3. Make sure the cutting platform is level and parallel with the combine wheels. A low corner will cause excessive dirt to flow over the bar.
4. Set float springs so that the suspension chains are loose when the bar is off the ground. Extra support is obtained by moving the retainers forward. This will encourage the bar to ride over soft spots instead of going through them.
5. Make sure all shoe assemblies are in good shape, particularly the skid plates.
6. Adjust the bar angle so that when the bar is just resting on a hard flat surface (platform elevated to maximum point without picking up bar) there is a minimum of 3/4" clearance under the guard points. The shoe skid plates must be resting on the ground when this measurement is made. The guard point clearance can be varied by raising and lowering the rear of the shoe frames.

**POSI-GUIDE SICKLE DRIVE ASSEMBLY
CD300
USED ON LOVE PEABARS 1970 THROUGH 1975
(CD INDICATES THE DRIVE IS LOCATED AT GUARD HOLES 7, 8, 9, 10)**



POSI-GUIDE SICKLE DRIVE ASSEMBLY
CD300
USED ON LOVE PEABARS 1970 THROUGH 1975
(CD INDICATES THE DRIVE IS LOCATED AT GUARD HOLES 7, 8, 9, 10)

<u>KEY</u>	<u>PART NO</u>	<u>DESCRIPTION</u>
1	CD218	WASHER, STEEL
2	CD287	SHIELD ASSEMBLY, DRIVE
3	CD288	SHIELD, HINGED LOWER
4	CD289	SHIELD, UPPER DRIVE END
5	CD296	COVER PLATE, GUIDE
6	CF2123	KNIFE HEAD, W/CS & WASHERS
7	CF2191	GUIDE, LESS COVER PLATE & SHIMS
8	CF2192	GUIDE, W/COVER PLATE & SHIM - ALUMINUM
9	CQ2004	WEAR PLATE, DRIVE
10	L62	CLIP, HINGED HOLD DOWN
11	R1036	SHIM, GUIDE BLOCK
12	X2A0500100	CAP SCREW, 1/2" X 1" UNC
13	X3B050	WASHER, LOCK 1/2"

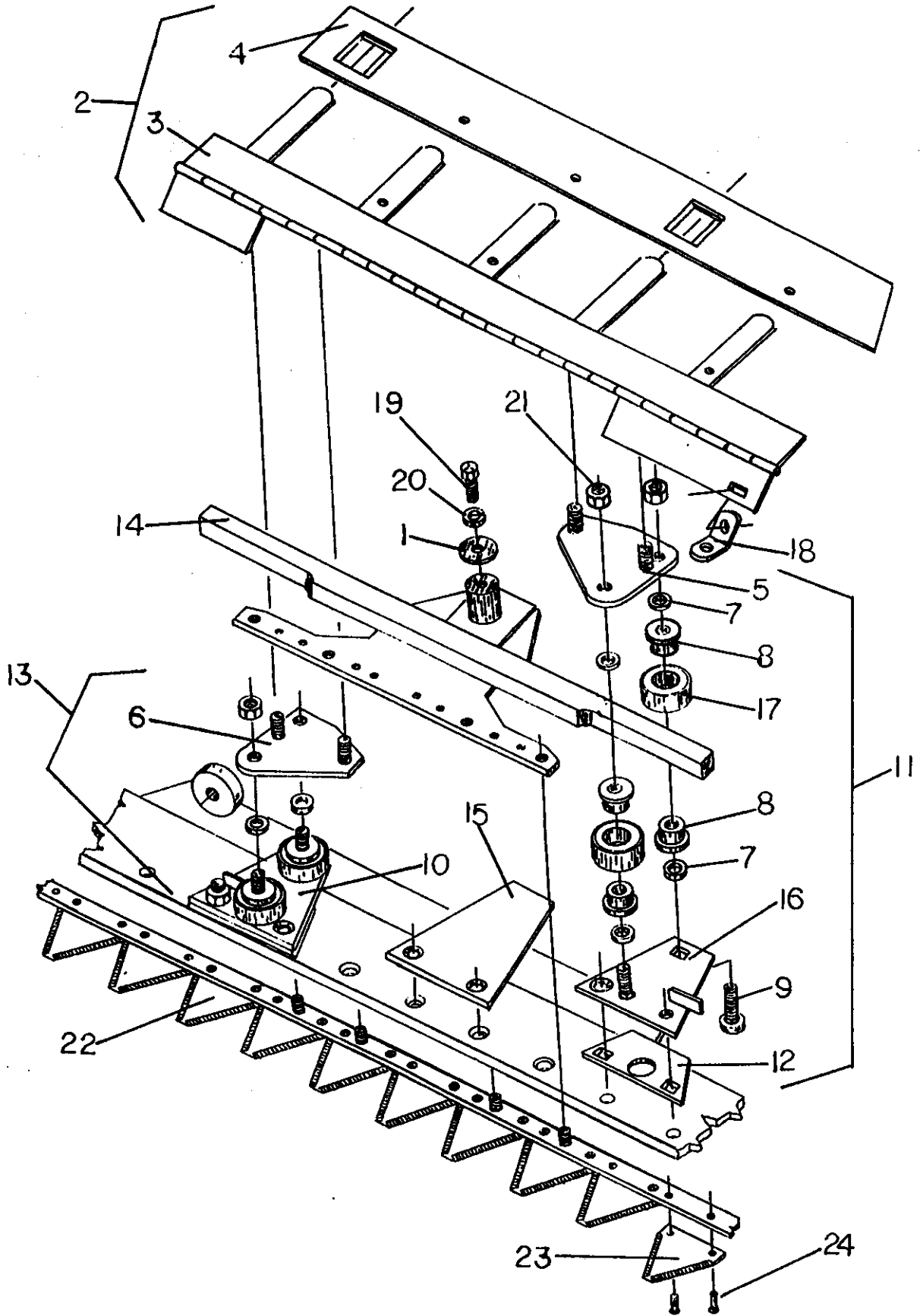
NOTE: CD SICKLES ARE ASSEMBLED WITH FLAT HEAD RIVETS L325B AND USES L192D SECTIONS WHICH ARE COUNTERSUNK. CD SICKLE DRIVE HEAD LOCATION IS AT 7, 8, 9, 10 SECTION IN FROM LEFT END.

14	CDXXB	SICKLE, L192D SECTIONS OF "XX" LENGTH IN FT.
	CDXXC	SICKLE, L192DC SECTIONS OF "XX" LENGTH IN FT.
15	L192D	SECTION, BLACK
	L192DC	SECTION, CHROME
16	L325B	RIVET, 5-1/2 X 3/4 CSK

POSI-ROLLER GUIDE SICKLE DRIVE ASSEMBLY

CD306

USED ON LOVE PEABARS 1976 AND LATER



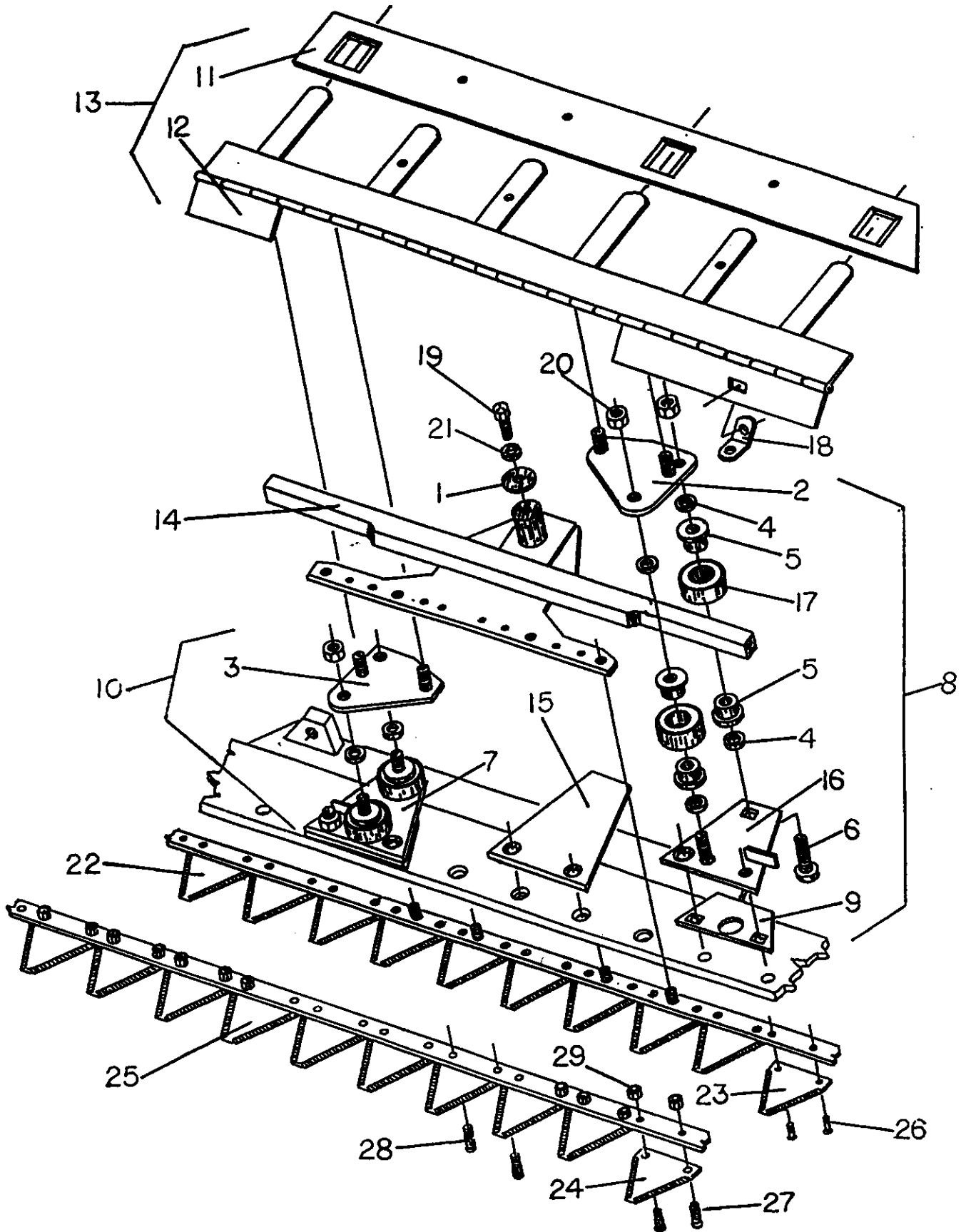
**POSI-ROLLER GUIDE SICKLE DRIVE ASSEMBLY
CD306
USED ON LOVE PEABARS 1976 AND LATER**

<u>KEY</u>	<u>PART NO</u>	<u>DESCRIPTION</u>
1	CD218	WASHER, STEEL
2	CD287	SHIELD, ASSEMBLY DRIVE
3	CD288	SHIELD, HINGED LOWER
4	CD289	SHIELD, UPPER DRIVE END
	CD307	POSI-ROLLER GUIDE SET (CF2212 & CF2245)
5	CF2116	TOP PLATE, LEFT SIDE
6	CF2117	TOP PLATE, RIGHT SIDE
7	CF2128	MACHINE BUSHING
8	CF2129	BEARING BUSHING
9	CF2132	CARRIAGE BOLT, 7/16-14 UNC - MODIFIED
10	CF2146	BOTTOM PLATE, RIGHT SIDE
11	CF2212	GUIDE ASSEMBLY, LEFT SIDE
12	CF2219	SPACER PLATE
13	CF2245	GUIDE ASSEMBLY, RIGHT SIDE
14	CF2770	DRIVE HEAD, SICKLE
15	CQ2004	WEAR PLATE, DRIVE HEAD
16	CQ2005	BOTTOM PLATE, LEFT SIDE
17	H7022	BEARING
18	L62	CLIP, HINGED HOLD DOWN
19	X2A0500100	CAP SCREW, 1/2" X 1"
20	X3B050	WASHER, 1/2"
21	X2D043	NUT, JAM 7/16-14 UNC

NOTE: CD SICKLES ARE ASSEMBLED WITH FLAT HEAD RIVETS L325B AND USES L192D SECTIONS WHICH ARE COUNTERSUNK. CD SICKLE DRIVE HEAD LOCATION IS AT 7, 8, 9, 10 SECTION IN FROM LEFT END.

22	CDXXB	SICKLE, L192D SECTIONS OF "XX" LENGTH IN FT.
	CDXXC	SICKLE, L192DC SECTIONS OF "XX" LENGTH IN FT.
23	L192D	SECTION, BLACK
	L192DC	SECTION, CHROME
24	L325B	RIVET, 5-1/2 X 3/4 CSK

POSI-ROLLER GUIDE SICKLE DRIVE ASSEMBLY
CF2306
USED ON LOVE PEABARS 1976 AND LATER
(CF INDICATES THE DRIVE IS LOCATED AT GUARD HOLES 9, 10, 11, 12)



**POSI-ROLLER GUIDE SICKLE DRIVE ASSEMBLY
CF2306**

USED ON LOVE PEABARS 1976 AND LATER

<u>KEY</u>	<u>PART NO</u>	<u>DESCRIPTION</u>
1	CD218	WASHER, STEEL
2	CF2116	TOP PLATE, LEFT SIDE
3	CF2117	TOP PLATE, RIGHT SIDE
4	CF2128	MACHINE BUSHING
5	CF2129	BEARING BUSHING
6	CF2132	CARRIAGE BOLT, 7/16-14 UNC, MODIFIED
7	CF2146	BOTTOM, PLATE RIGHT SIDE
8	CF2212	GUIDE ASSEMBLY, LEFT SIDE
9	CF2219	SPACER PLATE
10	CF2245	GUIDE ASSEMBLY, RIGHT SIDE
11	CF2294	SHIELD, UPPER DRIVE END
12	CF2295	SHIELD, HINGED LOWER
13	CF2297	SHIELD, ASSEMBLY DRIVE
14	CF2770	DRIVE HEAD, SICKLE
15	CQ2004	WEAR PLATE, DRIVE HEAD
16	CQ2005	BOTTOM PLATE, LEFT SIDE
17	H7022	BEARING
18	L62	CLIP, HINGED HOLD DOWN
19	X2A0500100	CAP SCREW, 1/2" X 1"
20	X2D043	NUT, JAM 7/16-14 UNC
21	X3B050	WASHER, 1/2"

NOTE:

CF SICKLES Are assembled with flat head rivets L325B and uses L192D sections which are countersunk. L192D sections with L325B rivets can be used on CG sickles as replacement parts. Both CF & CG sickles drive head locations are at 9, 10, 11, 12 sections in from left end (first sickle stud at 25-1/2" from left end.)

22	CFXXB	SICKLE, L192D SECTIONS OF "XX" LENGTH
	CFXXC	SICKLE, L192DC SECTIONS OF "XX" LENGTH IN FT.
23	L192D	SECTION, BLACK
	L192DC	SECTION, CHROME
26	L325B	RIVET, 5-1/2 X 3/4 CSK

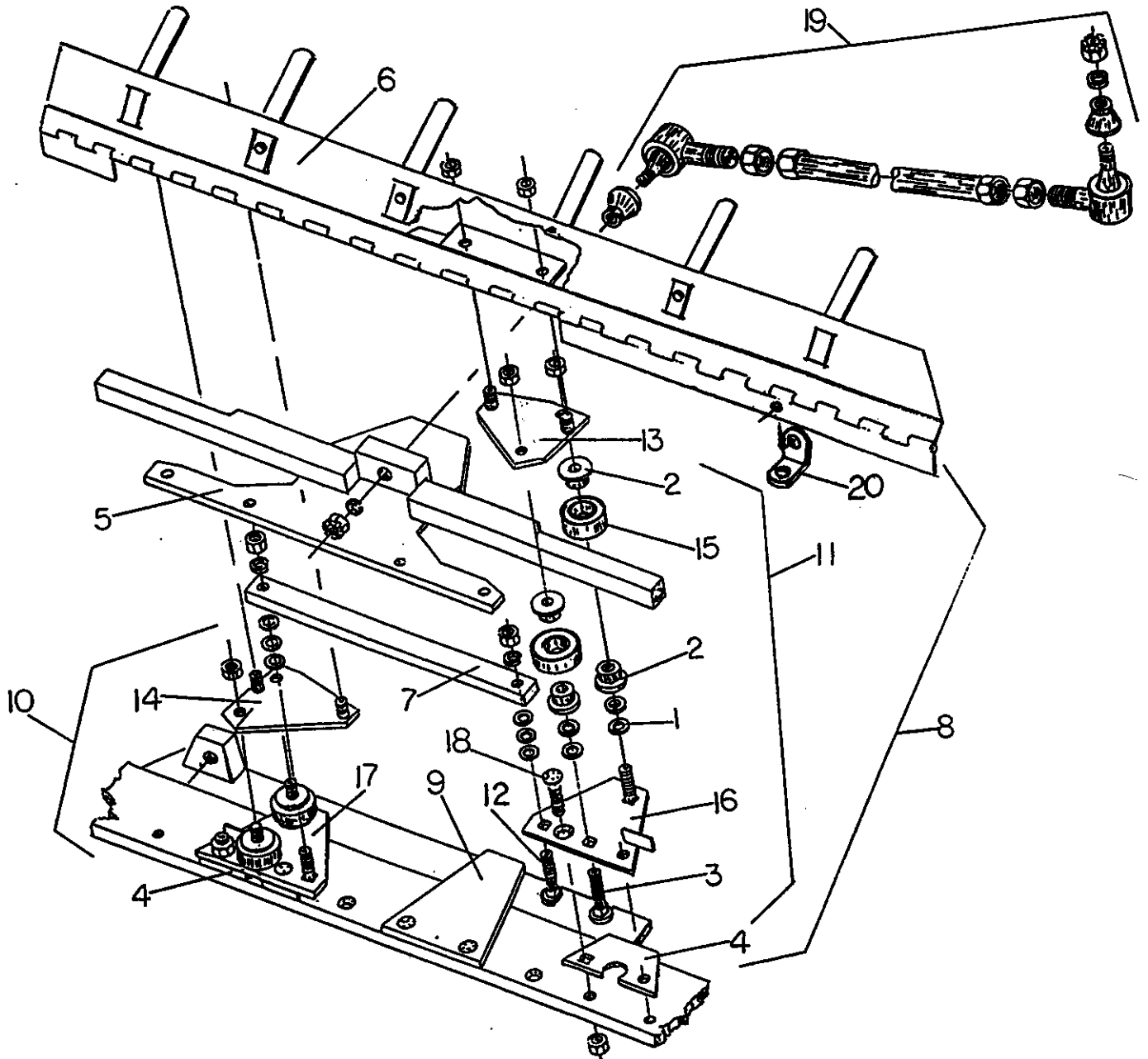
CG SICKLES Are assembled with oval head rivets instead of flat head rivets. The sickles use L193 sections which are not countersunk. CG sickles are interchangeable with CF sickles on Cutterbars equipped with LB214 guards.

22	CGXXB	SICKLE, L193 SECTIONS OF "XX" LENGTH IN FT.
	CGXXC	SICKLE, L193C SECTIONS OF "XX" LENGTH IN FT.
24	L193	SECTION, BLACK
	L193C	SECTION, CHROME
26	L326C	RIVET, ROUND HEAD

CGB SICKLES Are assembled with section bolts instead of rivets. The sickles use L193 sections which are not countersunk. CGB sickles are interchangeable with CF & CG sickles on Cutterbars equipped with LB214 guards and L221A knife clips. Sickle drive head must be able to accommodate section bolts as the CGB sickle does not have 4 studs for sickle drive head. Commencing 1995 CF2629 drive heads will replace CQ2051 drive heads. Commencing 1995 CF2770 Drive Heads will replace CQ2003 Drive Heads.

<u>KEY</u>	<u>PART NO.</u>	<u>DESCRIPTION</u>
25	CGBXXB	SICKLE, BOLT ON L193 SECTIONS OF "XX" LENGTH IN FEET
	CGBXXC	SICKLE, BOLT ON L193C SECTIONS OF "XX" LENGTH IN FEET
24	L193	SECTION, BLACK
	L193C	SECTION, CHROME PLATED
27	X2NS1	BOLT, SECTION
28	X2NS3	BOLT, DRIVE HEAD
29	X2NS2	NUT, SECTION & DRIVE HEAD

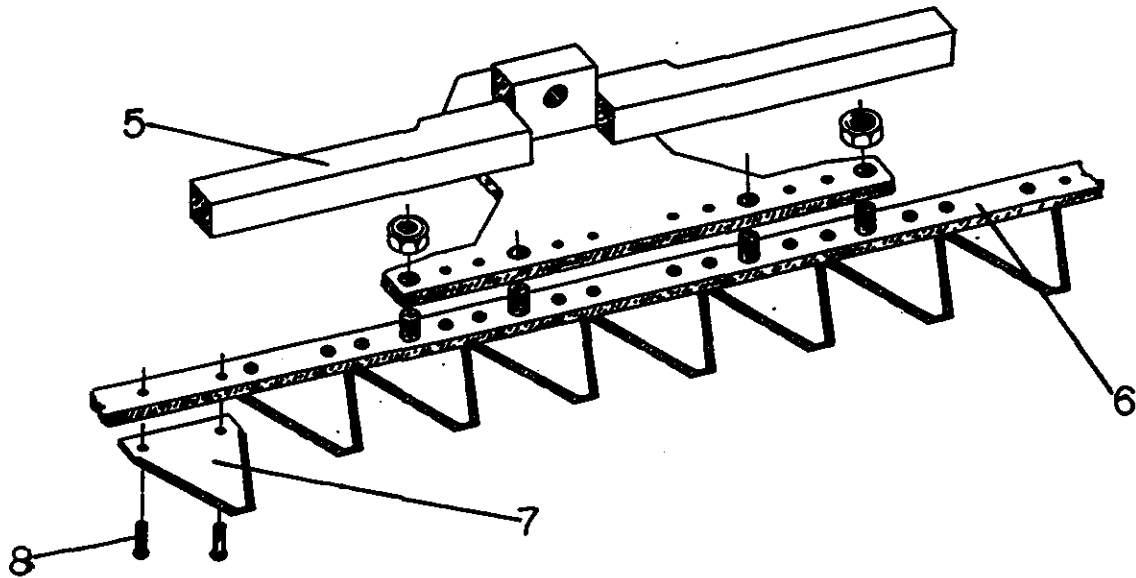
**POSI-ROLLER GUIDE (PRG) KIT
DUAL BALL JOINT DRIVE
CF2650**



**POSI-ROLLER GUIDE (PRG) KIT
DUAL BALL JOINT DRIVE
CF2650**

<u>KEY</u>	<u>PART NO.</u>	<u>DESCRIPTION</u>
1	CF2128	MACHINE BUSHING
2	CF2129	BUSHING, BEARING
3	CF2132	CARRIAGE BOLT, 7/16-14 UNC X 1-3/4" -MODIFIED
4	CF2219	SPACER PLATE
5	CF2629	DRIVE HEAD, POSI-ROLLER GUIDE
6	CF2647	SHIELD, DRIVE
7	CF2649	BAR, SICKLE HEAD HOLD DOWN
8	CF2650	POSI-ROLLER GUIDE KIT
9	CQ2004	WEAR PLATE, DRIVE HEAD
10	CQ2053	POSI-ROLLER GUIDE ASSY. RIGHT SIDE
11	CQ2054	POSI-ROLLER GUIDE ASSY. LEFT SIDE
12	CQ2055	CARRIAGE BOLT, 7/16-14 UNC X 1-1/2" - MODIFIED
13	CQ2056	TOP PLATE, LEFT SIDE
14	CQ2057	TOP PLATE, RIGHT SIDE
15	CQ2060	BEARING, POSI-ROLLER GUIDE
16	CQ2061	BOTTOM PLATE, LEFT SIDE
17	CQ2062	BOTTOM PLATE, RIGHT SIDE
18	L318	GUARD BOLT, 7/16-UNF X 1-5/8"
19		PITMAN, DUAL BALL JOINT (NOT INCLUDED IN PRG. KIT CF2650, REFER TO SPECIFIC MODEL KIT)
20	L62	SHIELD STOP

DUAL BALL JOINT DRIVE DRIVE HEAD W/"CG" SICKLE



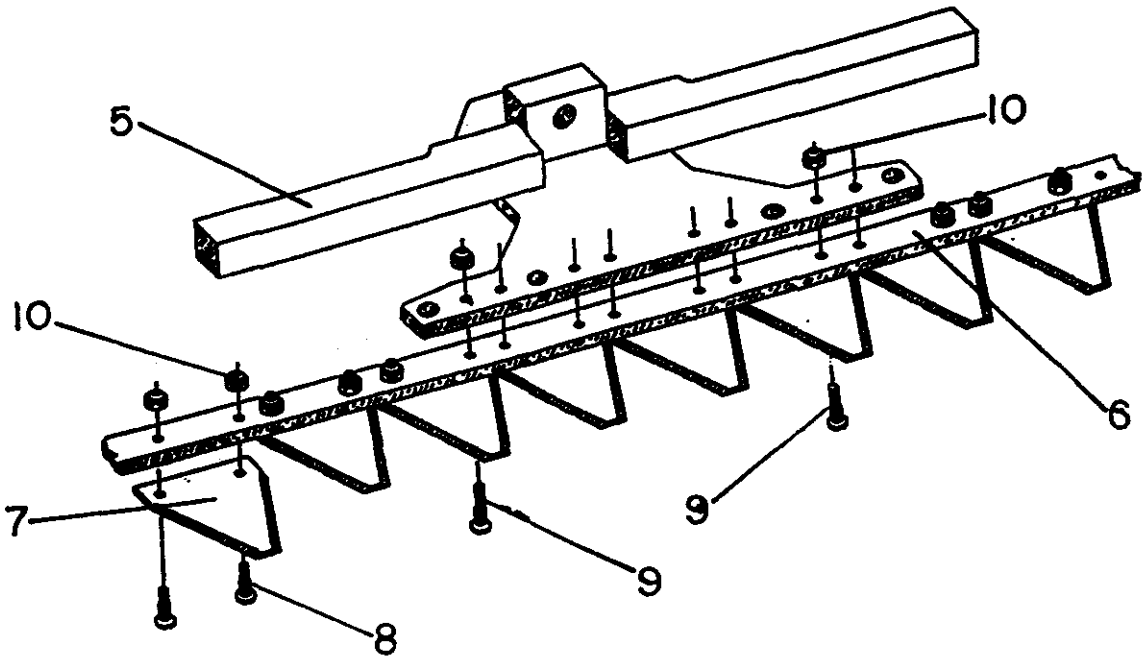
<u>KEY</u>	<u>PART NO.</u>	<u>DESCRIPTION</u>
5	CF2629	DRIVE HEAD, POSI-ROLLER GUIDE
6	CGXXB	SICKLE, L193 SECTIONS OF "XX" LENGTH IN FEET
	CGXXC	SICKLE, L193C SECTIONS OF "XX" LENGTH IN FEET
7	L193	SECTION, BLACK
	L193C	SECTION, CHROME PLATED
8	L326C	RIVET, ROUND HEAD

NOTE:

CG SICKLES Are assembled with oval head rivets instead of flat head rivets. The sickles use L193 sections which are not countersunk. CG sickles are interchangeable with CF sickles on Cutterbars equipped with LB214 guards.

CF SICKLES Are assembled with flat head rivets L325B and uses L192D sections which are countersunk. L192D sections with L325B rivets can be used on CG sickles as replacement parts. Both CF & CG sickles drive head locations are at 9, 10-12, 13 sections in from left end (first sickle stud at 25-1/2" from left end.)

DUAL BALL JOINT DRIVE DRIVE HEAD W/"CGB" SICKLE

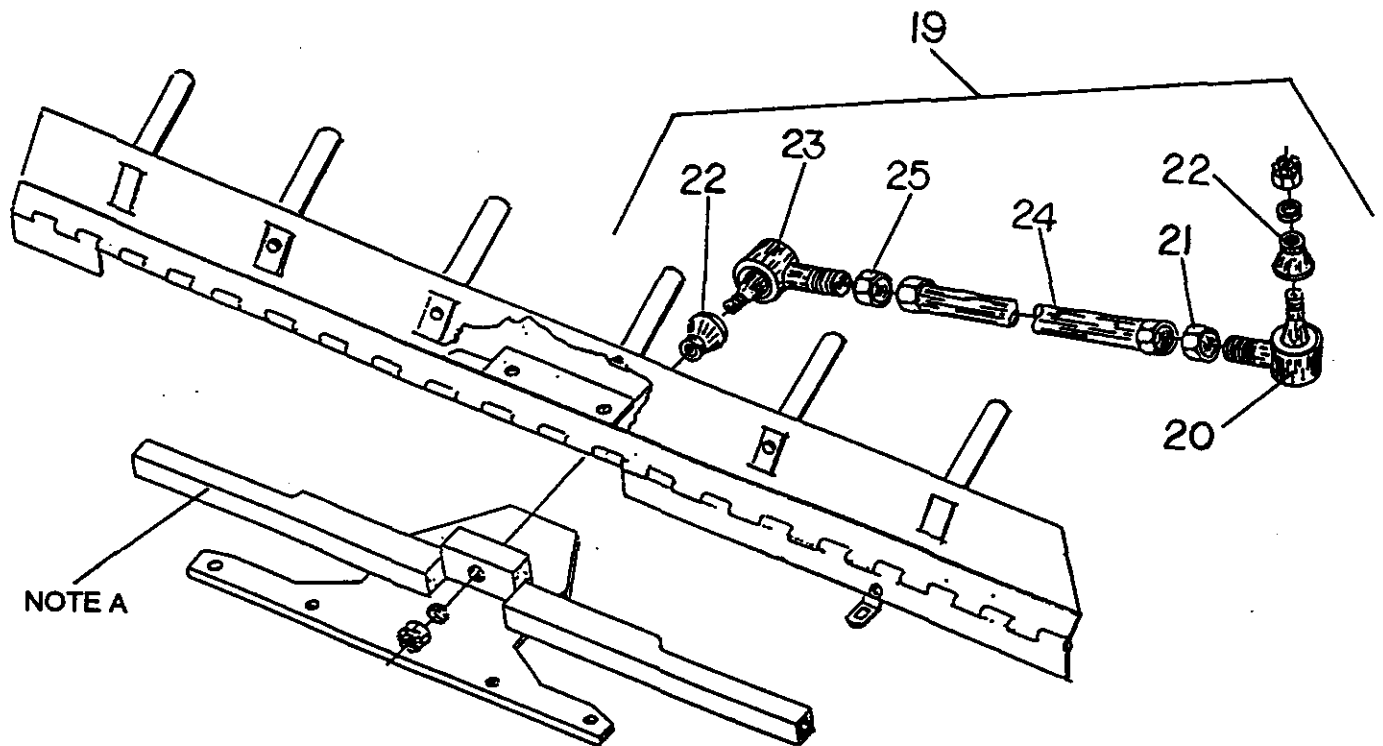


KEY	PART NO.	DESCRIPTION
5	CF2629	DRIVE HEAD, POSI-ROLLER GUIDE
6	CGBXXB	SICKLE, BOLT ON L193 SECTIONS OF "XX" LENGTH IN FEET
	CGBXXC	SICKLE, BOLT ON L193C SECTIONS OF "XX" LENGTH IN FEET
7	L193	SECTION, BLACK
	L193C	SECTION, CHROME PLATED
8	X2NS1	BOLT, SECTION
9	X2NS3	BOLT, DRIVE HEAD
10	X2NS2	NUT, SECTION & DRIVE HEAD

NOTE:

CGB SICKLES Are assembled with section bolts instead of rivets. The sickles use L193 sections which are not countersunk. CGB sickles are interchangeable with CF & CG sickles on Cutterbars equipped with LB214 guards and L221A knife clips. Sickle drive head must be able to accommodate section bolts as the CGB sickle does not have 4 studs for sickle drive head. Commencing 1995 CF2629 drive heads will replace CQ2051 drive heads.

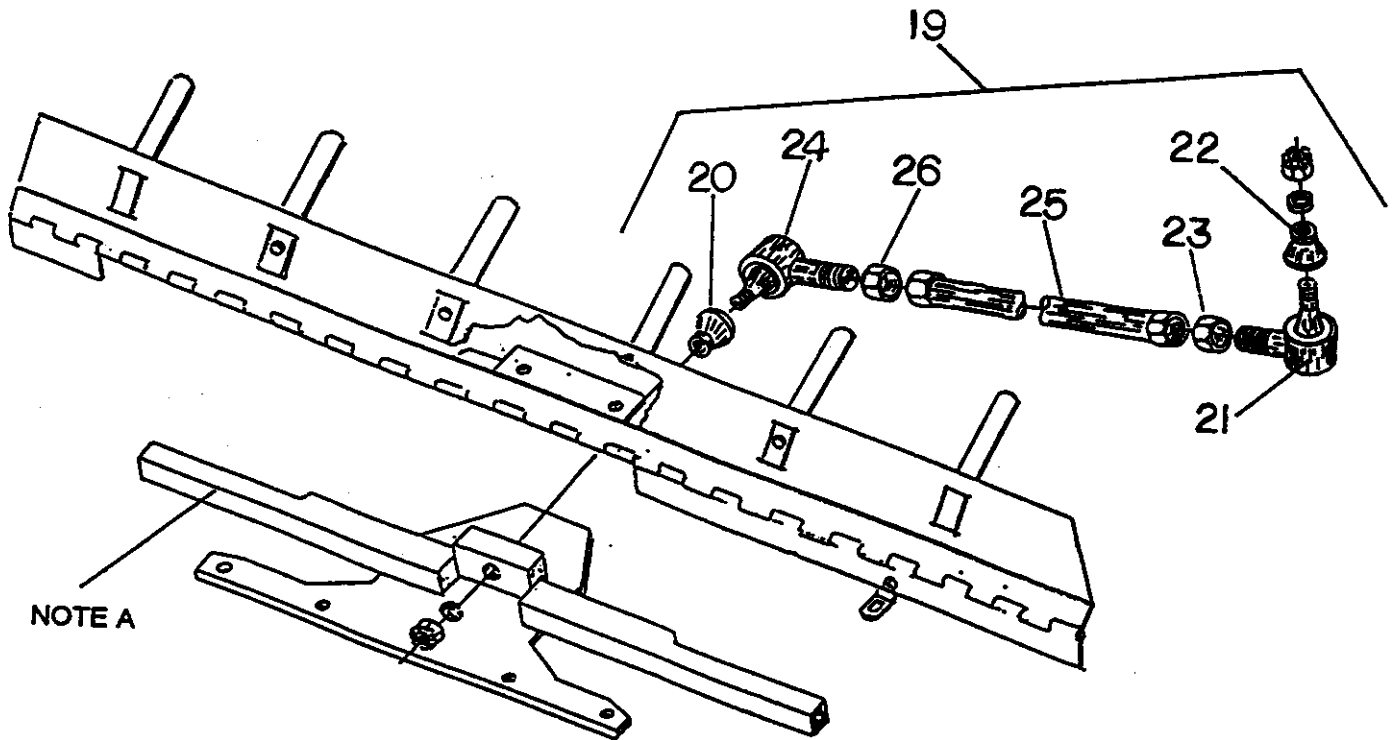
**SPECIFIC MODEL
DUAL BALL JOINT PITMAN DRIVE
AGCO - SERIES 3 HEADERS
SER. NO 19301 & LATER
AC-36**



<u>KEY</u>	<u>PART NO.</u>	<u>DESCRIPTION</u>
19	CF2656	PITMAN, COMPLETE
20	CD500	BALL JOINT, 7/8" -18 RH
21	CD500A	JAM NUT, 7/8 -18 RH
22	CD500R	RUBBER SEAL
23	CD565	BALL JOINT, 7/8" -18 LH
24	CF2655	PITMAN, TUBE ONLY
25	R10128	JAM NUT, 7/8" -18 LH

NOTE A: COMMENCING 1995 CF2629 DRIVE HEAD POSI-ROLLER GUIDE WILL REPLACE DRIVE HEAD CQ2051.

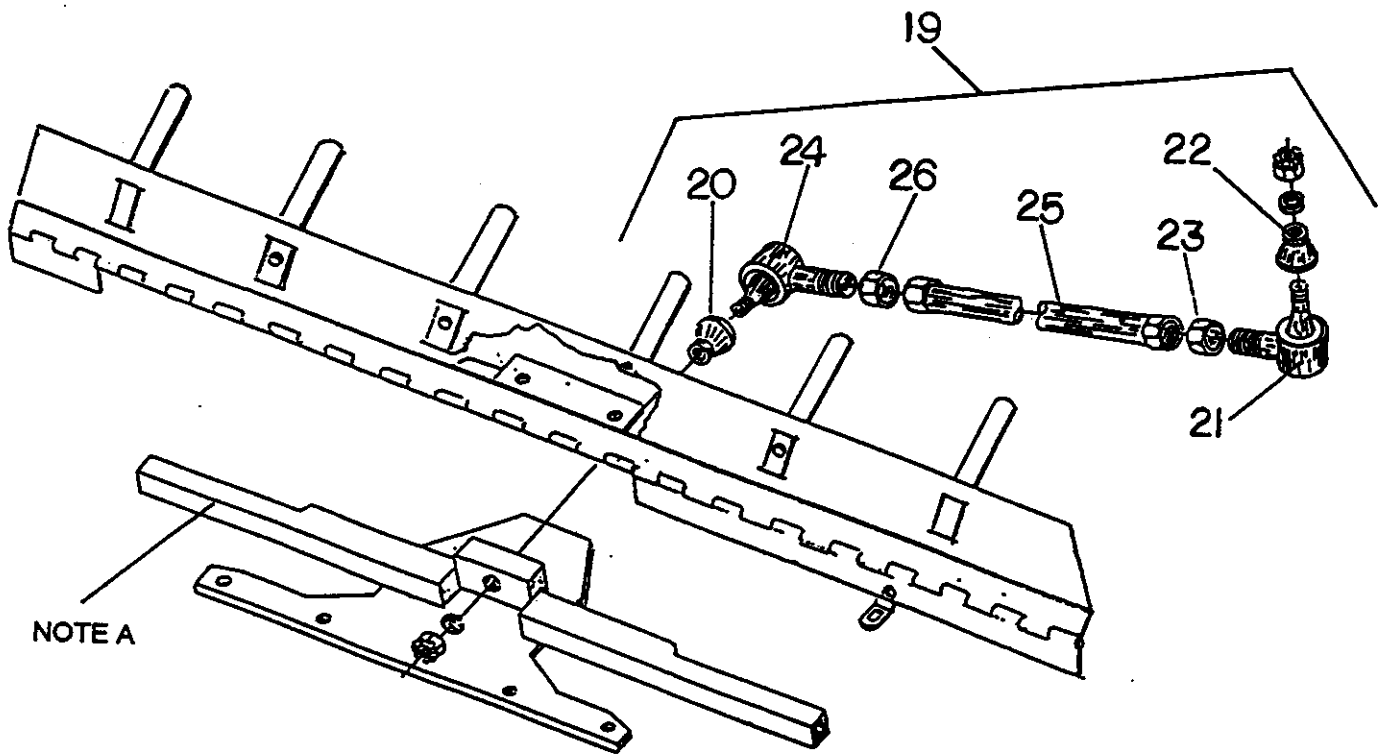
**SPECIFIC MODEL
DUAL BALL JOINT PITMAN DRIVE
CASE/IH 810 HEADERS
WITH LOVE WOBBLE BOX CONVERSION**



<u>KEY</u>	<u>PART NO</u>	<u>DESCRIPTION</u>
19	CF2652	PITMAN, COMPLETE
20	CD500R	RUBBER SEAL
21	CD535	BALL JOINT, 1" -16 RH
22	CD535R	RUBBER SEAL
23	CD537	JAM NUT, 1" -16 RH
24	CD565	BALL JOINT, 7/8" -18 LH
25	CF2653	PITMAN, TUBE ONLY
26	R10128	JAM NUT, 7/8" -18 LH

NOTE A: COMMENCING 1995 CF2629 DRIVE HEAD POSI-ROLLER GUIDE WILL REPLACE DRIVE HEAD CQ2051.

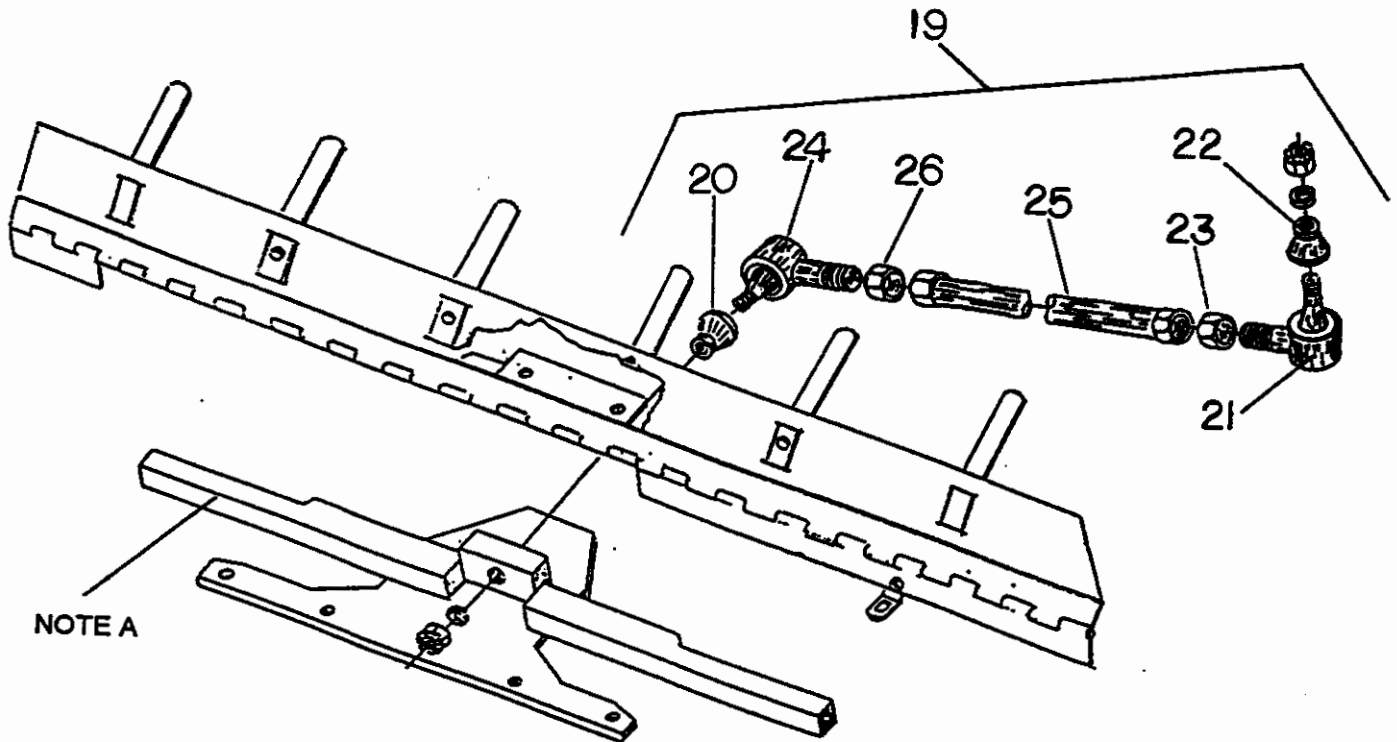
**SPECIFIC MODEL
DUAL BALL JOINT PITMAN DRIVE
CASE/IH 1010 HEADERS
CAH-17 THROUGH CAH-25**



<u>KEY</u>	<u>PART NO.</u>	<u>DESCRIPTION</u>
19	CF2637	PITMAN, COMPLETE
20	CD500R	RUBBER SEAL
21	CD535	BALL JOINT, 1" -16 RH
22	CD535R	RUBBER SEAL
23	CD537	JAM NUT, 1" -16 RH
24	CD565	BALL JOINT, 7/8" -18 LH
25	CF2631	PITMAN, TUBE ONLY
26	R10128	JAM NUT, 7/8" -18 LH

NOTE A: COMMENCING 1995 CF2629 DRIVE HEAD POSI-ROLLER GUIDE WILL REPLACE DRIVE HEAD CQ2051.

**SPECIFIC MODEL
DUAL BALL JOINT PITMAN DRIVE
JOHN DEERE 200 & 900 SERIES HEADERS
JD 91 THROUGH JD 98**



<u>KEY</u>	<u>PART NO</u>	<u>DESCRIPTION</u>
19	CF2652	PITMAN, COMPLETE
20	CD500R	RUBBER SEAL
21	CD535	BALL JOINT, 1" -16 RH
22	CD535R	RUBBER SEAL
23	CD537	JAM NUT, 1" -16 RH
24	CD565	BALL JOINT, 7/8" -18 LH
25	CF2653	PITMAN, TUBE ONLY
26	R10128	JAM NUT, 7/8" -18 LH

NOTE A: COMMENCING 1995 CF2629 DRIVE HEAD POSI-ROLLER GUIDE WILL REPLACE DRIVE HEAD CQ2051.

SECTION 3

**CDH, CFP AND CFP9XXX
CUTTERBAR
SHOE ASSEMBLY CHART**

SHOE ASSEMBLY CD 7016

SPECIFIC MODEL KIT	HEADER WIDTH (FT)	NUMBER OF SHOES
JDH-8	18	4
JDH-9	20	7

SHOE ASSEMBLY CM4018

SPECIFIC MODEL KIT	HEADER WIDTH (FT)	NUMBER OF SHOES
IHH-10	17-1/2	6
IHH-11	20	6
IHH-12	22	7
IHH-13	24	7

SHOE ASSEMBLY CD7018

JDH-8	18	2
-------	----	---

SHOE ASSEMBLY CM4018

ACH-6	18	6
ACH-7	20	7
ACH-9	22	7
AC-26	16	6
AC-27	18	6
AC-28	20	6
AC-29	22	7
AC-30	24	7
AC-34	20	6
AC-35	22	7
AC-36	24	7

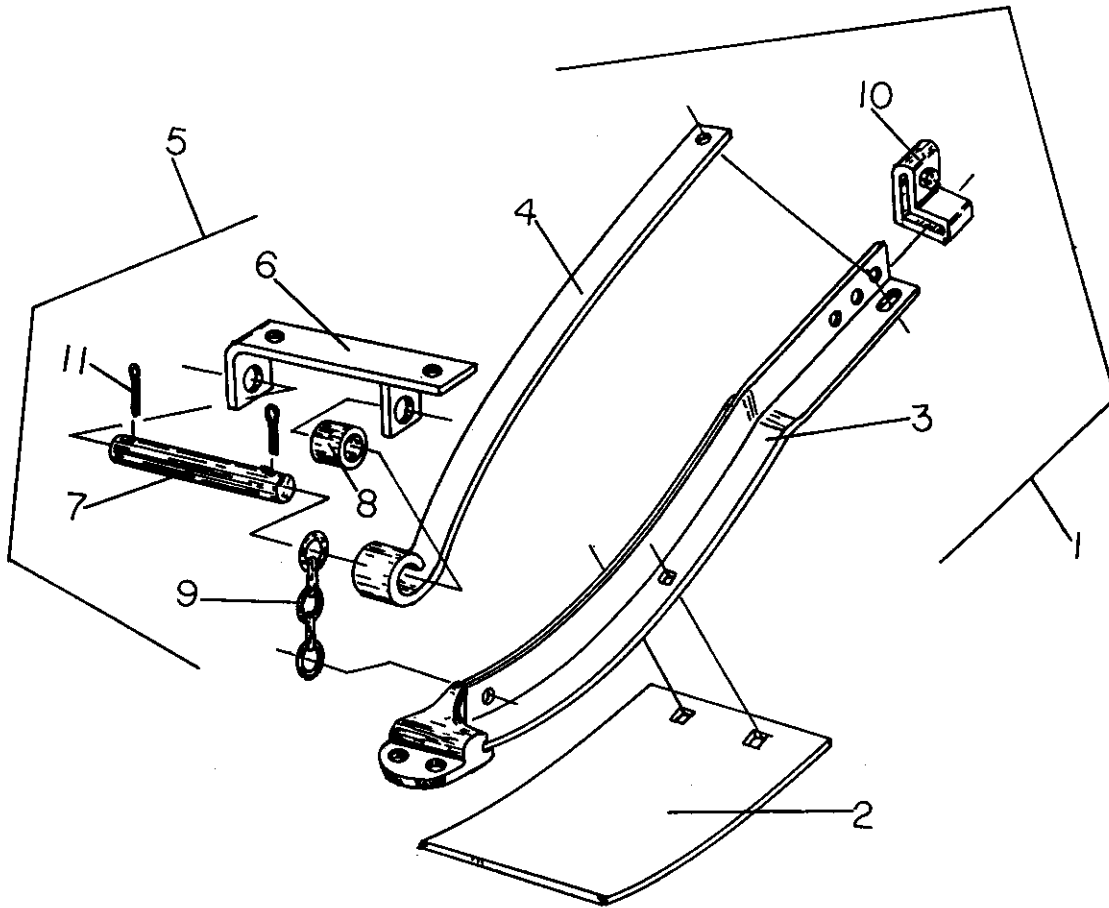
SHOE ASSEMBLY CM4053

JD-93	16	6
JD-94	18	6
JD-95	20	6
JD-96	22	7
JD-97	24	7
JD-98	25	7

CAH-17	17-1/2	6
CAH-20	20	6
CAH-22	22-1/2	7
CAH-25	25	7

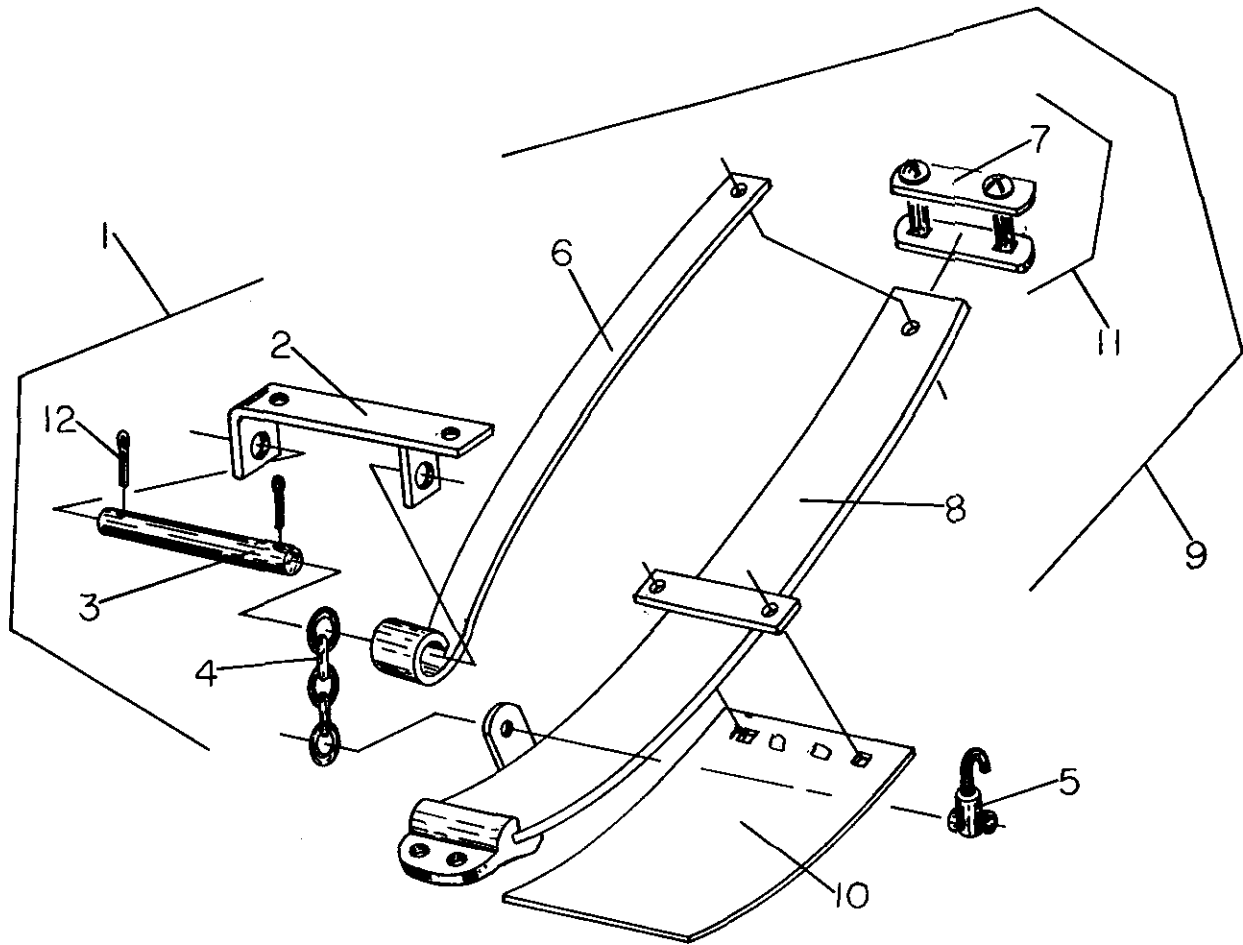
IHH-7	17-1/2	6
IHH-4	20	6
IHH-5	22-1/2	7
IHH-6	24	7

CD7016 AND CD7018 SHOE ASSEMBLY



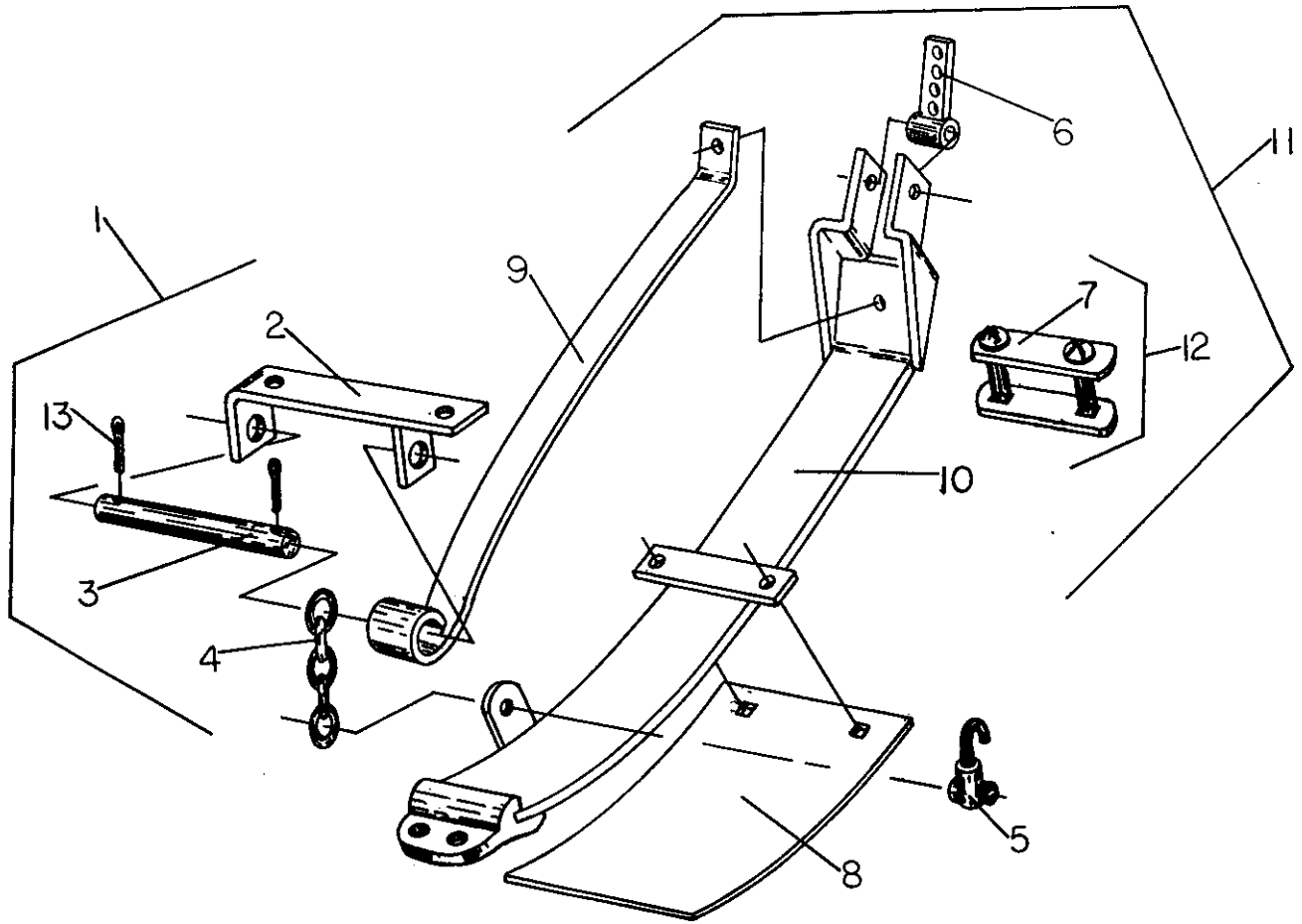
<u>KEY</u>	<u>PART NUMBER</u>	<u>DESCRIPTION</u>	<u>WT LBS.</u>
1	CD7016	SHOE ASSEMBLY, 38" WITH 8" SKID	25.0
	CD7017	SHOE ASSEMBLY, 38" W/O SKID	19.0
	CD7018	SHOE ASSEMBLY, 36" WITH 8" SKID	25.0
	CD7019	SHOE ASSEMBLY, 36" W/O SKID	19.0
2	CD7012	SHOE SKID 8"	6.0
3	CD7020	SHOE FRAME FOR CD7016	13.0
	CD7022	SHOE FRAME FOR CD7018	13.0
4	CD7021	SHOE SPRING, FOR CD7018	3.5
	CF2104	SHOE SPRING, FOR CD7016	3.5
5	CF2101	ASSEMBLY, FRONT SHOE HANGER	2.40
6	CF2101A	SHOE HANGER FRAME	1.5
7	CF2101B	SHOE HANGER PIN, W/COTTER PINS	0.75
8	CF2101C	SPACER, FRONT SHOE HANGER	0.15
9	CF2102	SHOE CHAIN	0.25
10	L17H	CLIP, SHOE SPRING	0.25
11	X3A25-125	COTTER PIN, 1/4 X 1-1/4	

CM4018 SHOE ASSEMBLY



<u>KEY</u>	<u>PART NUMBER</u>	<u>DESCRIPTION</u>	<u>WT LBS.</u>
1	CF2101	ASSEMBLY, FRONT SHOE	2.4
2	CF2101A	SHOE HANGER FRAME	1.5
3	CF2101B	SHOE HANGER PIN	0.75
4	CF2102	SHOE CHAIN	0.25
5	CF2124	SHOE LOCK UP ASSEMBLY (OPTIONAL)	1.50
6	CM4001	SHOE SPRING, 27"	3.50
7	CM4006	CLIP, SHOE SPRING	0.25
8	CM4017	FLAT ARC SHOE FRAME, WELDMENT	13.0
9	CM4018	SHOE ASSEMBLY, WITH 12" SKID W/O LOCK UP	24.0
	CM4022	SHOE ASSEMBLY, W/O LOCK UP OR SKID	18.5
	CM4063	SHOE ASSEMBLY, WITH LOCK UP W/O SKID	20.00
10	CM4021	SHOE SKID, 12"	8.00
	CF7005	SHOE SKID, 18" OPTIONAL	11.70
11	CM4064	SHOE SPRING CLAMP ASSEMBLY	0.75
12	X3A25-125	COTTER PIN, 1/4 X 1-1/4	

CM4053 SHOE ASSEMBLY



<u>KEY</u>	<u>PART NUMBER</u>	<u>DESCRIPTION</u>	<u>WT LBS.</u>
1	CF2101	ASSEMBLY, FRONT SHOE HANGER	2.4
2	CF2101A	SHOE HANGER FRAME	1.5
3	CF2101B	SHOE HANGER PIN	0.75
4	CF2102	SHOE CHAIN	0.25
5	CF2124	SHOE LOCK UP ASSEMBLY (OPTIONAL)	1.05
6	CF2621	SHOE TAIL, JOHN DEERE	0.50
7	CM4006	CLIP, SHOE SPRING	0.25
8	CM4021	SHOE SKID, 12"	8.0
	CF7005	SHOE SKID, 18" (OPTIONAL)	11.7
9	CM4048	SHOE SPRING, JD	3.5
10	CM4049	SHOE FRAME WELDMENT	14.0
11	CM4054	SHOE ASSEMBLY, W/O LOCK UP OR SKID	19.0
	CM4053	SHOE ASSEMBLY, WITH 12" SKID W/O LOCK UP	27.0
	CM4062	SHOE ASSEMBLY, WITH LOCK UP W/O SKID	20.5
12	CM4064	SHOE SPRING CLAMP ASSEMBLY	0.75
13	X3A25-125	COTTER PIN, 1/4 X 1-1/4	