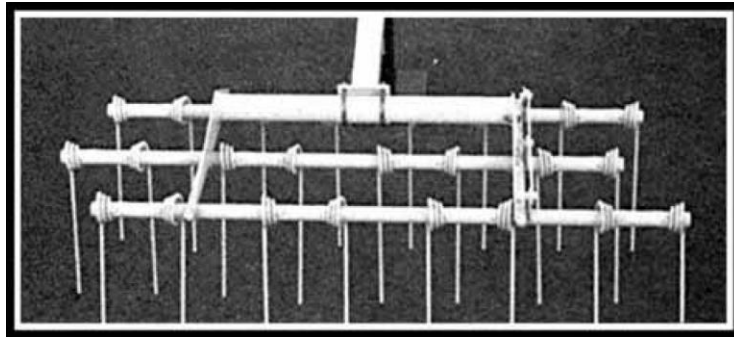




SPRING TINE HARROW

Parts Manual



J.E. LOVE COMPANY
LOVE®

309 W. CALIFORNIA STREET
P.O. BOX 188
GARFIELD, WASHINGTON 99130-0188
(509) 635-1321 FAX: (509) 635-1434
www.jeloveco.com

CAUTION

BLOCK SECURELY

Do not place yourself under any equipment suspended hydraulically, with mechanical stops, jacks or hoists, without blocking securely.

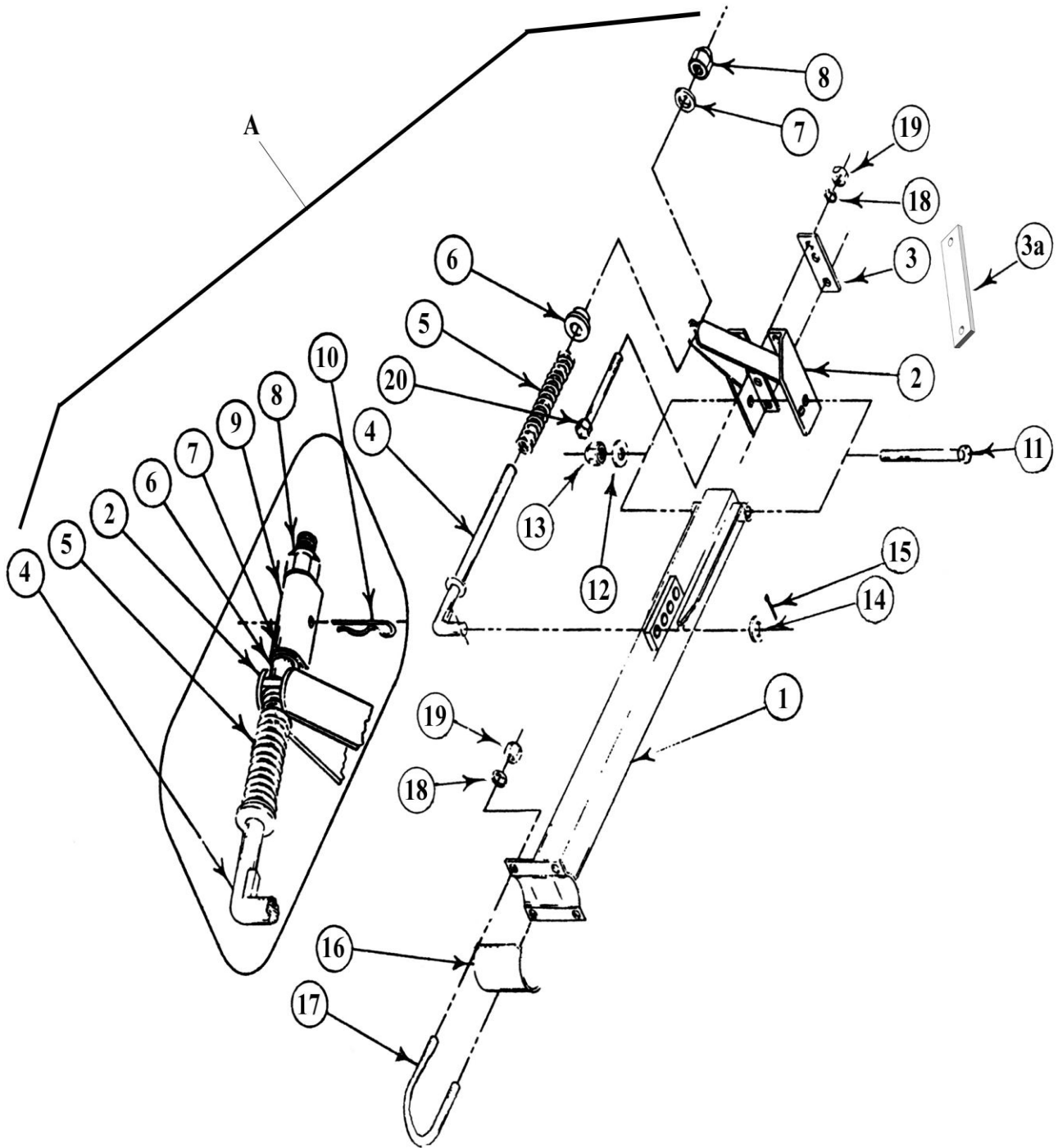
Make sure machine cannot roll.

Table of Contents

Title	Page
Table of Contents (TOC).....	3
GEN-1 Harrow Carrier Arm	4, 5
GEN-2 Harrow Carrier Arm	6, 7
GEN-3 Harrow Carrier Arm	8, 9
GEN-4 Harrow Carrier Arm	10, 11
Section Carrier Assembly	12, 13
Harrow Extension	14, 15
Part number page reference	16, 17, 18, 19

GEN-1 Harrow Carrier Arm

[Back to TOC](#)

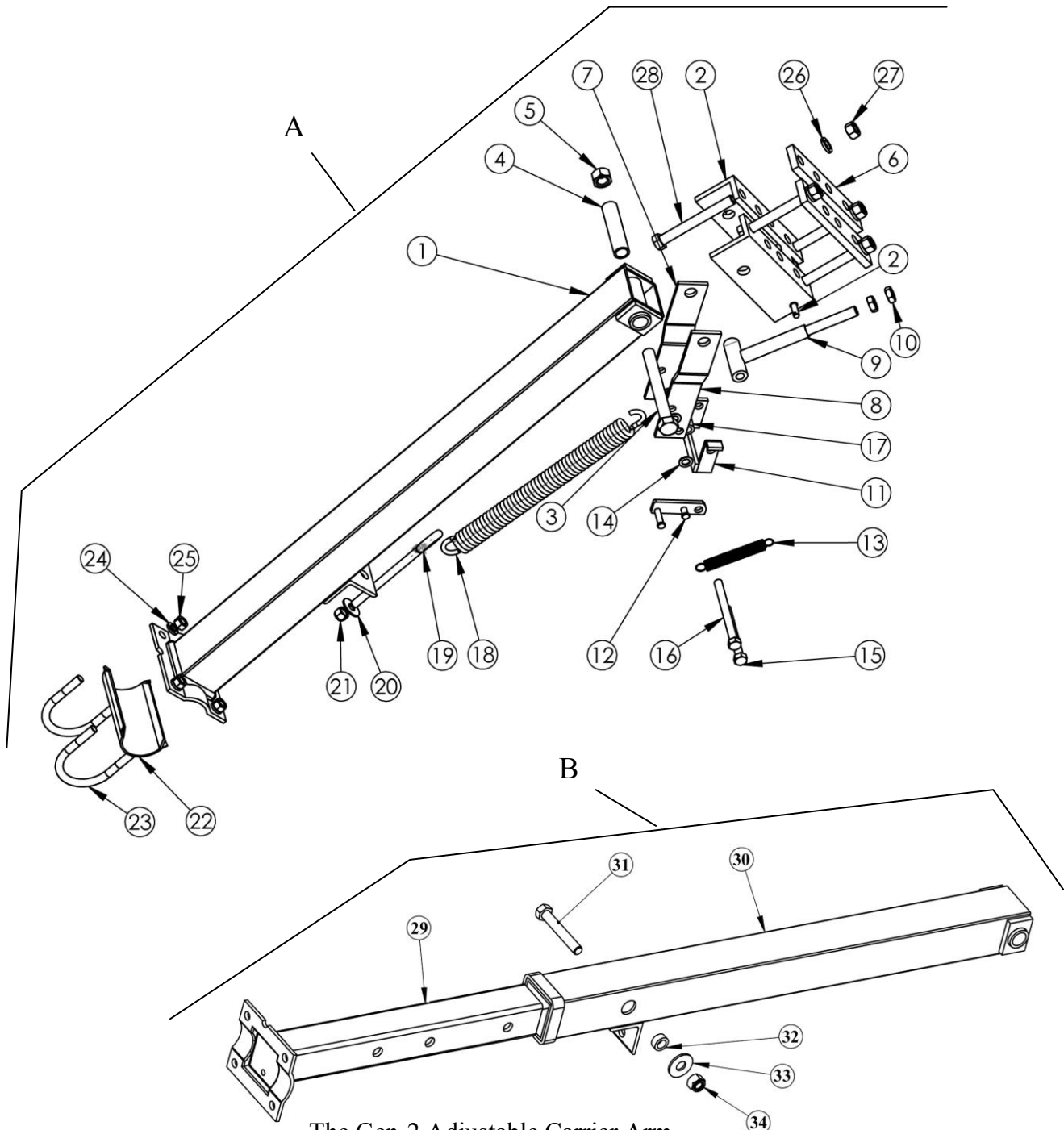


GEN-1 Harrow Carrier Arm

KEY	DESCRIPTION	PART NO.
A	CARRIER ARM ASSEMBLY, (GEN-1) (1980 - 1989)	0450-500
1	CARRIER ARM, (GEN-1)	0450-013
2	HARROW CARRIER	0450-003
3	MOUNT PLATE, FOR 2-1/4 " & 4" TUBING	0450-001
3a	MOUNT PLATE, FOR 6" TUBING	0450-002
4	L-BOLT ADJUSTMENT ARM	0450-007
5	COMPRESSION SPRING	5111-001
6	BUSHING	6135-030
7	MACH. BUSHING, 3/4" 10GA WR	7895-111
8	NYLOCK LOCK NUT, 3/4" NC	7725-120
9	TRANSPORT LOCK	0450-018
10	HITCH PIN CLIP, #8	7920-002
11	CAP SCREW, 5/8" NC X 7-1/2"	7114-076
12	FLAT WASHER, 5/8"	7814-015
13	NYLOCK LOCK NUT, 5/8" NC	7724-120
14	MACH. BUSHING, 3/4" 14GA NR	7895-100
15	COTTER PIN, 1/8" X 1-1/4"	7910-145
16	CLAMP	0450-011
17	U-BOLT, 1/2" NC	5213-010
18	LOCK WASHER, 1/2"	7843-015
19	HEX NUT, 1/2" NC	7723-015
20	CAP SCREW, 1/2" NC X 4" (FOR 2-1/2" TUBING)	7113-122
	CAP SCREW, 1/2" NC X 4-1/2" (FOR 3" TUBING)	7113-124
	CAP SCREW, 1/2" NC X 5-1/2" (FOR 4" TUBING)	7113-129

GEN-2 Harrow Carrier Arm

[Back to TOC](#)



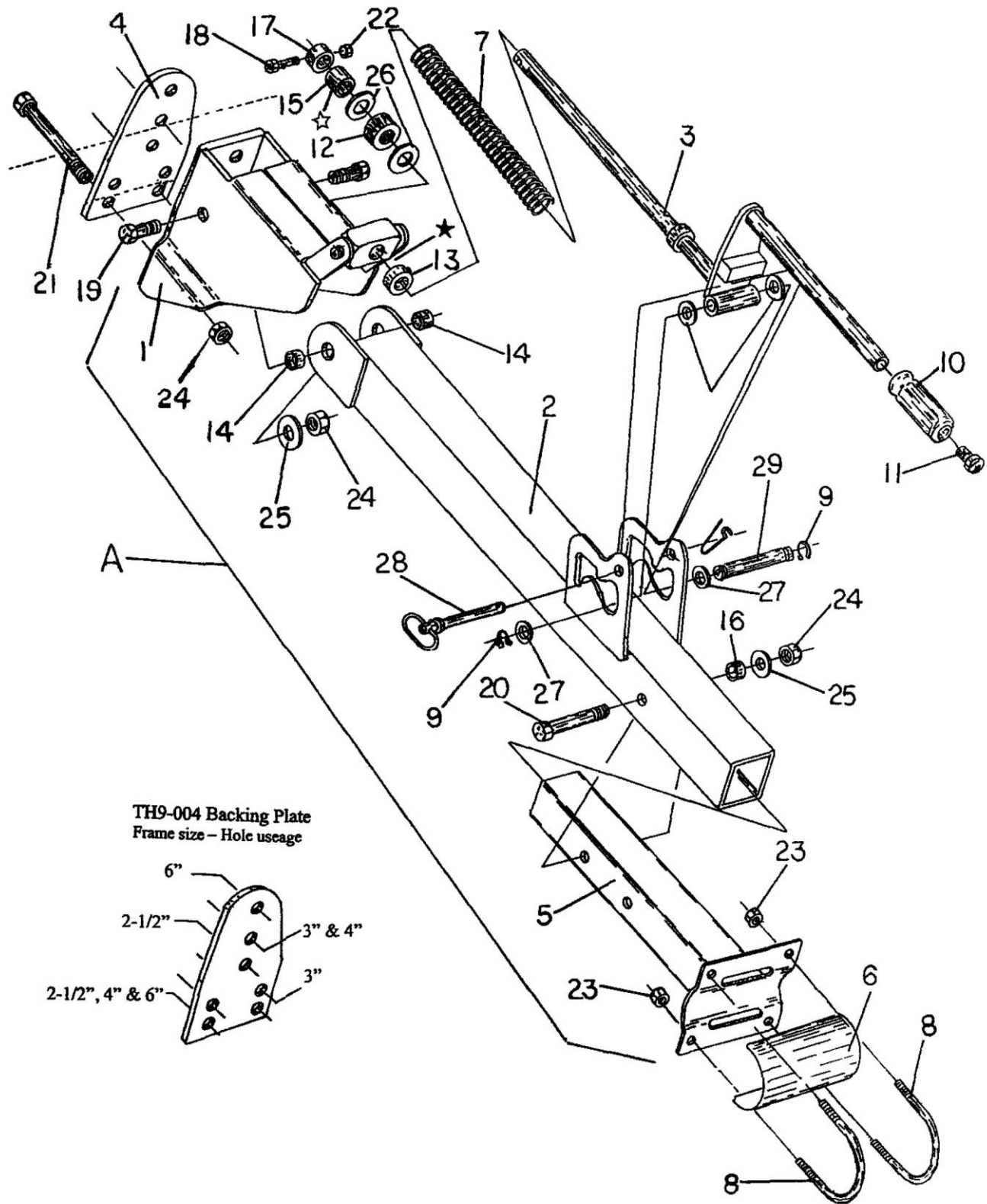
The Gen-2 Adjustable Carrier Arm was introduced in 1995 to replace the non-adjustable arm.

GEN-2 Harrow Carrier Arm

KEY	DESCRIPTION	PART NO.
A	CARRIER ARM ASSEMBLY, (GEN-2) (1989-1995)	0450-505
	ADJUSTABLE CARRIER ARM ASSEMBLY, (GEN-2) (1995-1998)	0450-515
B	ADJUSTABLE CARRIER ARM (Introduced in 1995)	0450-550
1	CARRIER ARM, (GEN-2)	0450-025
2	HARROW CARRIER BRACKET, (GEN-2)	0450-021
3	CAP SCREW, 3/4" NC X 6-1/2"	7115-071
4	NYLATRON BUSHING	6135-610
5	NYLOCK LOCK NUT, 3/4" NC	7725-120
6	BACKING PLATE	0450-029
7	ADJUSTMENT LINK (RH)	0450-024
8	ADJUSTMENT LINK (LH)	0450-026
9	ADJUSTMENT SCREW	0450-030
10	JAM NUT, 5/8" NC	7724-105
11	TRANSPORT LOCK	0450-023
12	ACTUATOR TRANSPORT LOCK	0450-022
13	EXTENSION SPRING	5111-010
14	MACH. BUSHING, 1/2" 14GA NR	7893-001
15	CAP SCREW, 1/2" NC X 4-1/2"	7113-124
16	CAP SCREW, 1/2" NC X 5-1/2"	7113-129
17	BUSHING	6135-611
18	EXTENSION SPRING	5129-003
19	EYE BOLT, 1/2" NC	7313-005
20	FLAT WASHER, 1/2"	7813-015
21	NYLOCK LOCK NUT, 1/2" NC	7723-216
22	CLAMP	0450-011
23	U-BOLT, 1/2" NC	5213-010
24	LOCK WASHER, 1/2"	7843-015
25	HEX NUT, 1/2" NC	7723-015
26	LOCK WASHER, 5/8"	7844-020
27	HEX NUT, 5/8" NC	7724-005
28	CAP SCREW, 5/8" NC X 4" (FOR 2-1/2" TUBING)	7114-040
	CAP SCREW, 5/8" NC X 4-1/2" (FOR 3" TUBING)	7114-045
	CAP SCREW, 5/8" NC X 5-1/2" (FOR 4" TUBING)	7114-055
29	LOWER CARRIER ARM	0450-033
30	UPPER CARRIER ARM	0450-034
31	CAP SCREW, 5/8" NC X 4"	7114-040
32	BUSHING	6144-001
33	FLAT WASHER, 5/8"	7814-015

GEN-3 Harrow Carrier Arm

[Back to TOC](#)

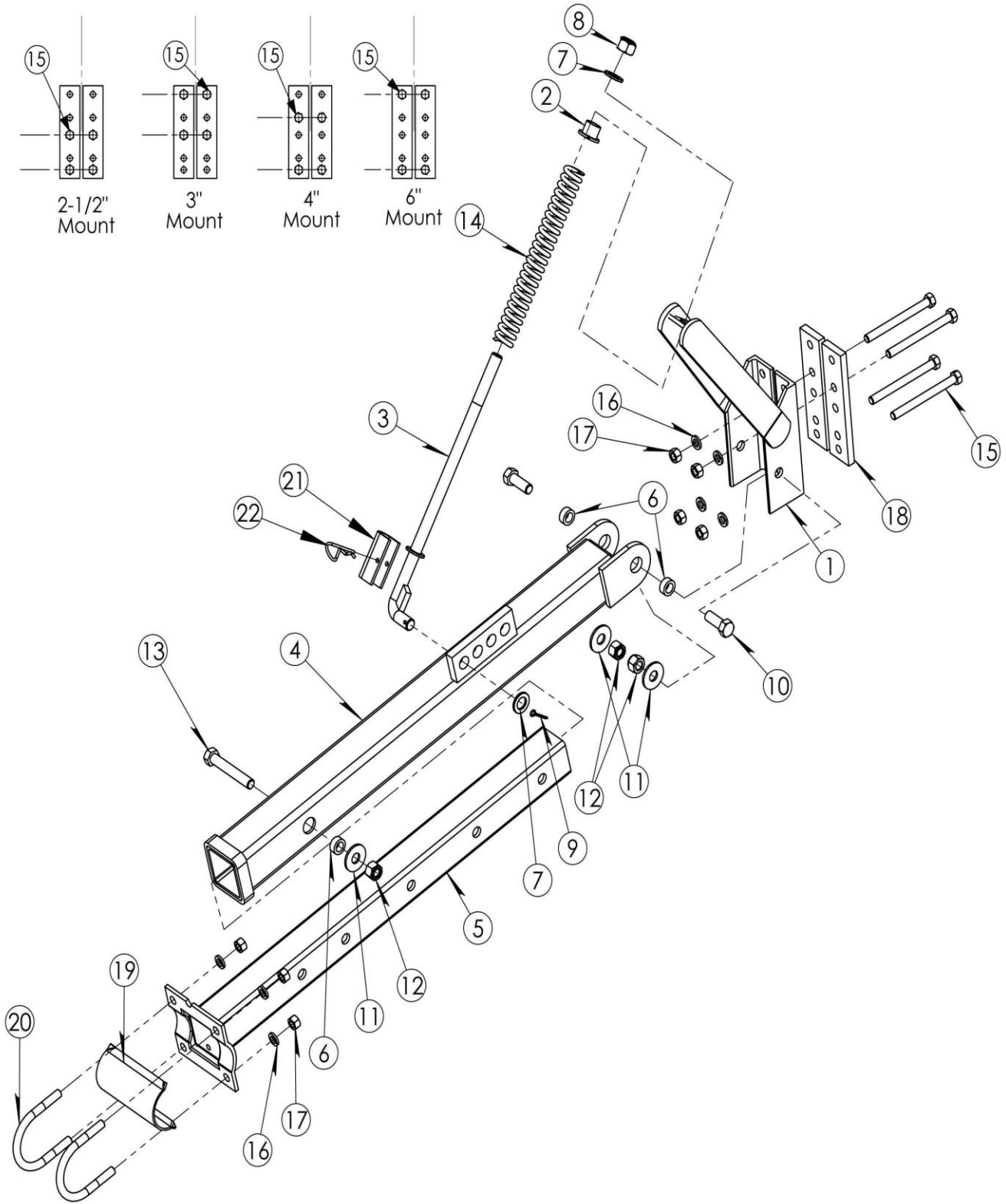


GEN-3 Harrow Carrier Arm

KEY	DESCRIPTION	PART NO.
A	TINE HARROW CARRIER ARM ASSEMBLY, (GEN-3) (1999-2008)	TH9-550
1	CARRIER ARM MOUNT	TH9-001
2	UPPER CARRIER ARM	TH9-002
3	HANDLE	TH9-003
4	BACKING PLATE	TH9-004
5	LOWER CARRIER ARM MOUNT	TH9-005
6	CLAMP	0450-011
7	COMPRESSION SPRING	5111-001
8	U-BOLT, 1/2" NC	5213-010
9	SNAP RING, 3/4"	5459-075
10	BLACK FOAM GRIP	5461-004
11	BLACK FINISHING PLUG	5461-005
12	POLYURETHANE WASHER	5461-006
13	SHAFT COLLAR, 3/4"	5486-075
14	BUSHING	6143-007
15	BUSHING <u>Note:</u> ☆ Bushing location for cultivators & weeders <u>Note:</u> ★ Bushing location for plows	6143-055
16	BUSHING	6144-001
17	SHAFT COLLAR, 3/4", cross drilled	6486-075
18	CAP SCREW, 5/16" NC X 1-1/2"	7111-023
19	CAP SCREW, 5/8" NC X 1-3/4"	7114-006
20	CAP SCREW, 5/8" NC X 4"	7114-040
21	CAP SCREW, 5/8" NC X 4-1/2" (FOR 2-1/2" TUBING)	7114-045
	CAP SCREW, 5/8" NC X 5" (FOR 3" TUBING)	7114-050
	CAP SCREW, 5/8" NC X 6" (FOR 4" TUBING)	7114-060
22	LOCK NUT, 5/16" NC	7721-008
23	NYLOCK LOCK NUT, 1/2" NC	7723-216
24	NYLOCK LOCK NUT, 5/8" NC	7724-120
25	FLAT WASHER, 5/8"	7814-015
26	FLAT WASHER, 3/4"	7815-016
27	MACH. BUSHING, 3/4" 14GA WR	7895-101
28	HITCH PIN, 1/2" X 4", w/SAFETY PIN	7920-012
29	SHAFT	8025-004

GEN-4 Harrow Carrier Arm

[Back to TOC](#)

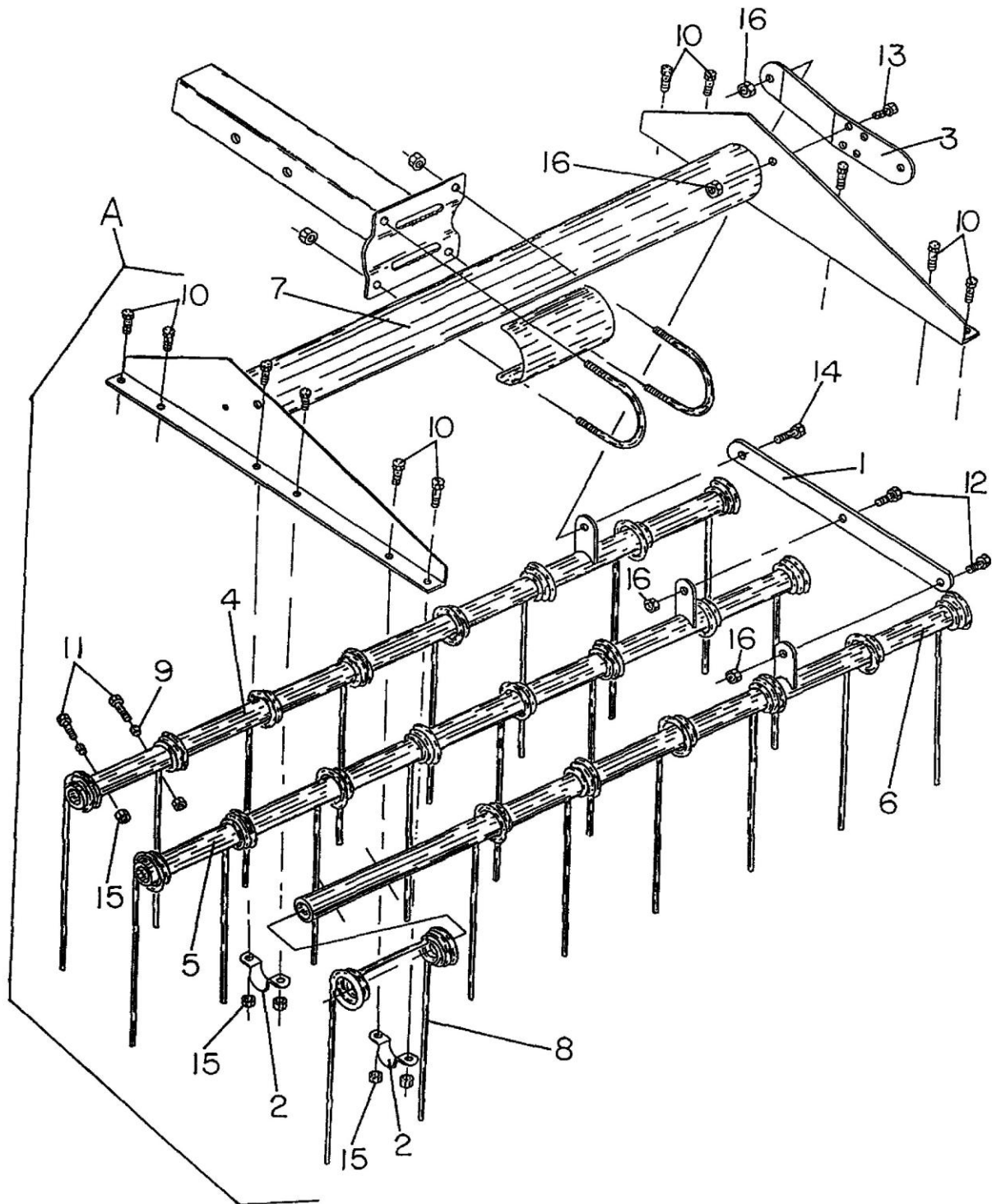


GEN-4 Harrow Carrier Arm

KEY	DESCRIPTION	PART NO.
A	TINE HARROW CARRIER ARM ASSEMBLY, (GEN-4) (2009 -)	TH9-560
1	HARROW CARRIER ARM MOUNT	0450-040
2	BUSHING	6135-030
3	L-BOLT ADJUSTMENT ARM	0450-007
4	CARRIER ARM	TH9-006
5	LOWER CARRIER ARM	0450-033
6	BUSHING	6144-001
7	MACH. BUSHING, 3/4" 10GA NR	7895-110
8	NYLOCK LOCK NUT, 3/4" NC	7725-120
9	COTTER PIN, 1/8" X 1-1/2"	7910-150
10	CAP SCREW, 5/8" NC X 1-3/4"	7114-006
11	FLAT WASHER, 5/8"	7814-015
12	NYLOCK LOCK NUT, 5/8" NC	7724-120
13	CAP SCREW, 5/8" NC X 4"	7114-040
14	COMPRESSION SPRING	5111-001
15	CAP SCREW, 1/2" NC X 4" (FOR 2-1/2" TUBING)	7113-122
	CAP SCREW, 1/2" NC X 4-1/2" (FOR 3" TUBING)	7113-124
	CAP SCREW, 1/2" NC X 5-1/2" (FOR 4" TUBING)	7113-129
16	LOCK WASHER, 1/2"	7843-015
17	HEX NUT, 1/2" NC	7723-015
18	BACKING PLATE	TH9-007
19	CLAMP	0450-011
20	U-BOLT, 1/2" NC	5213-010
21	TRANSPORT LOCK <i>(Standard on Center, Optional on Wings)</i>	0450-018
22	HITCH PIN CLIP, #10 <i>(Transport Lock Only)</i>	7920-003

Section Carrier Assembly

[Back to TOC](#)

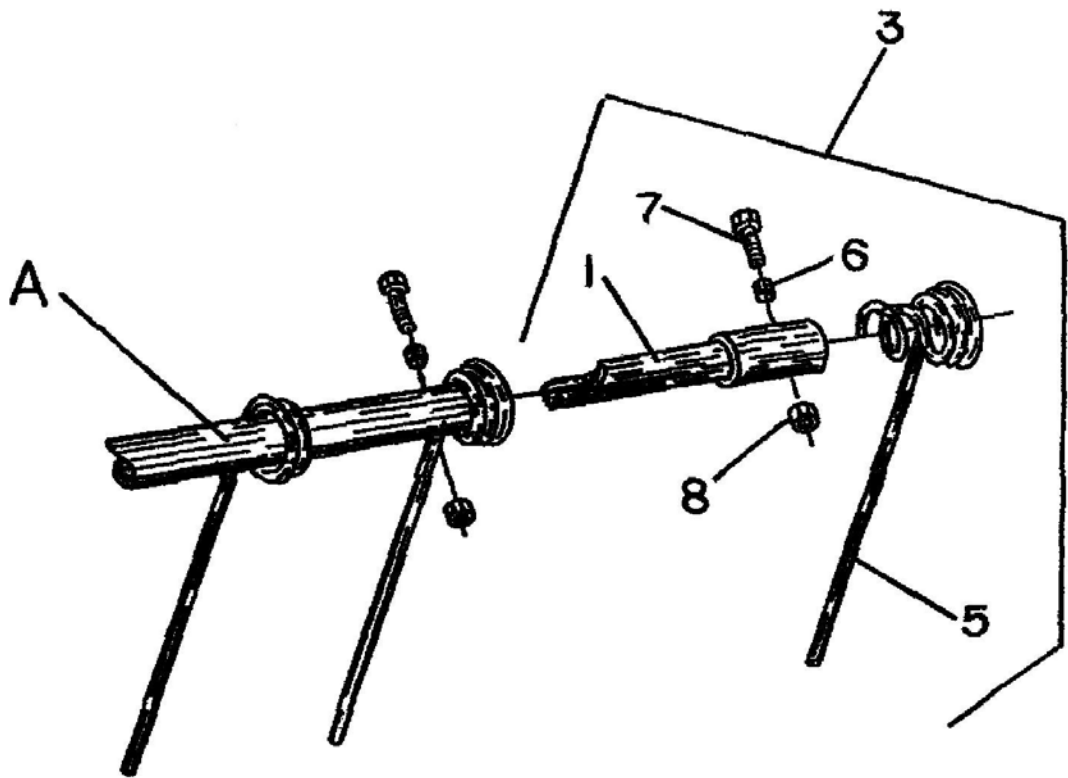
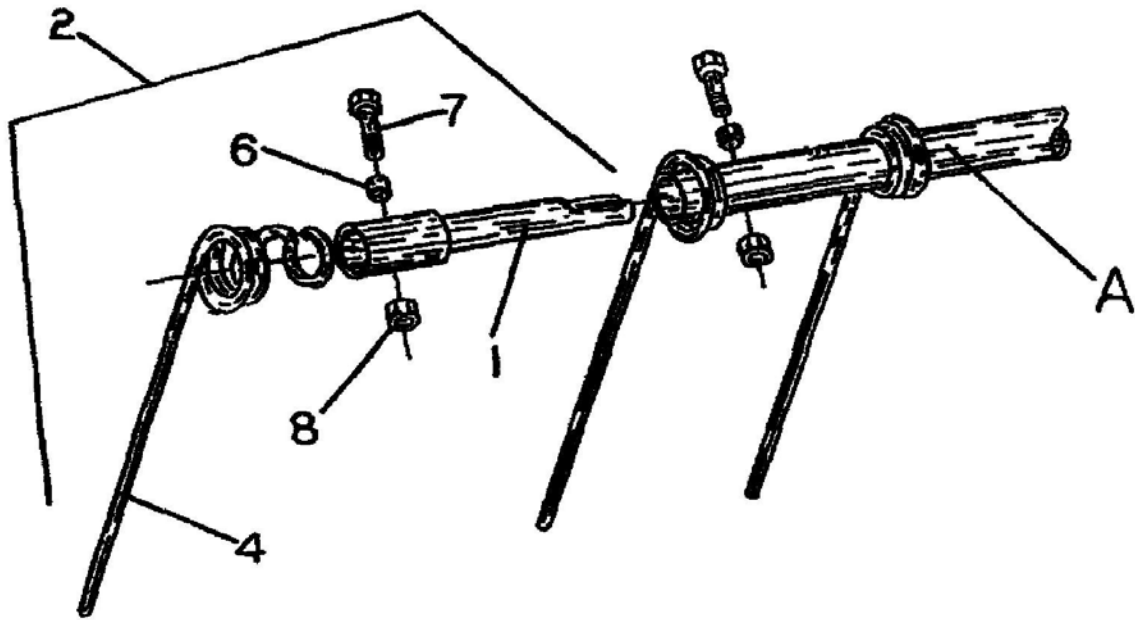


Section Carrier Assembly

KEY	DESCRIPTION	PART NO.
A	SECTION CARRIER ASSEMBLY, 4-1/2 FT, STRAIGHT TINES	0450-501
	SECTION CARRIER ASSEMBLY, 6 FT, STRAIGHT TINES	0450-502
	SECTION CARRIER ASSEMBLY, 4-1/2 FT, BENT TINES	0450-503
	SECTION CARRIER ASSEMBLY, 6 FT, BENT TINES	0450-504
1	ACTUATOR STRAP	0450-004
2	CLAMP	0450-005
3	ADJUSTMENT LINK	0450-006
4	FORWARD TINE MOUNT, 4-1/2 FT	0450-008
	FORWARD TINE MOUNT, 4-1/2 FT, w/STRAIGHT TINES	0450-530
	FORWARD TINE MOUNT, 4-1/2 FT, w/BENT TINES	0450-536
	FORWARD TINE MOUNT, 6 FT	0450-015
	FORWARD TINE MOUNT, 6 FT, w/STRAIGHT TINES	0450-533
	FORWARD TINE MOUNT, 6 FT, w/BENT TINES	0450-539
5	CENTER TINE MOUNT, 4-1/2 FT	0450-009
	CENTER TINE MOUNT, 4-1/2 FT, w/STRAIGHT TINES	0450-531
	CENTER TINE MOUNT, 4-1/2 FT, w/BENT TINES	0450-537
	CENTER TINE MOUNT, 6 FT	0450-016
	CENTER TINE MOUNT, 6 FT, w/STRAIGHT TINES	0450-534
	CENTER TINE MOUNT, 6 FT, w/BENT TINES	0450-540
6	REAR TINE MOUNT, 4-1/2 FT	0450-010
	REAR TINE MOUNT, 4-1/2 FT, w/STRAIGHT TINES	0450-532
	REAR TINE MOUNT, 4-1/2 FT, w/BENT TINES	0450-538
	REAR TINE MOUNT, 6 FT	0450-017
	REAR TINE MOUNT, 6 FT, w/STRAIGHT TINES	0450-535
	REAR TINE MOUNT, 6 FT, w/BENT TINES	0450-541
7	SECTION CARRIER, 4-1/2 FT	0450-012
	SECTION CARRIER, 6 FT	0450-014
8	DOUBLE TORSION SPRING HARROW TOOTH, STRAIGHT	5952-620
	DOUBLE TORSION SPRING HARROW TOOTH, BENT	6952-620
9	BUSHING	6132-003
10	CAP SCREW, 3/8" NC X 1"	7112-050
11	CAP SCREW, 3/8" NC X 2-1/2"	7112-066
12	CAP SCREW, 1/2" NC X 1"	7113-100
13	CAP SCREW, 1/2" NC X 1-1/4"	7113-101
14	CAP SCREW, 1/2" NC X 1-1/2"	7113-102
15	NYLOCK LOCK NUT, 3/8" NC	7722-110
16	NYLOCK LOCK NUT, 1/2" NC	7723-216

Harrow Extension

[Back to TOC](#)



Harrow Extension

KEY	DESCRIPTION	PART NO.
A	EXISTING HARROW	
1	TINE MOUNT EXTENSION	0450-032
2	SINGLE TINE EXTENSION ASSEMBLY w/BENT TINES (LH)	0450-506
	SINGLE TINE EXTENSION ASSEMBLY w/STRAIGHT TINES (LH)	0450-508
3	SINGLE TINE EXTENSION ASSEMBLY w/BENT TINES (RH)	0450-507
	SINGLE TINE EXTENSION ASSEMBLY w/STRAIGHT TINES (RH)	0450-509
4	SINGLE TORSION SPRING HARROW TOOTH, STRAIGHT (LH)	5952-621
	SINGLE TORSION SPRING HARROW TOOTH, BENT (LH)	6952-621
5	SINGLE TORSION SPRING HARROW TOOTH, STRAIGHT (RH)	5952-622
	SINGLE TORSION SPRING HARROW TOOTH, BENT (RH)	6952-622
6	BUSHING	6132-003
7	CAP SCREW, 3/8" NC X 2-1/2"	7112-066
8	NYLOCK LOCK NUT, 3/8" NC	7722-110

Part Number Page Reference

[Back to TOC](#)

PART NO.	DESCRIPTION	PAGE NO.
0450-001	MOUNT PLATE, FOR 2-1/4 " & 4" TUBING	4
0450-002	MOUNT PLATE, FOR 6" TUBING	4
0450-003	HARROW CARRIER	4
0450-004	ACTUATOR STRAP	12
0450-005	CLAMP	12
0450-006	ADJUSTMENT LINK	12
0450-007	L-BOLT ADJUSTMENT ARM	4, 10
0450-008	FORWARD TINE MOUNT, 4-1/2 FT	12
0450-009	CENTER TINE MOUNT, 4-1/2 FT	12
0450-010	REAR TINE MOUNT, 4-1/2 FT	12
0450-011	CLAMP	4, 6, 8, 10
0450-012	SECTION CARRIER, 4-1/2 FT	12
0450-013	CARRIER ARM, (GEN-1)	4
0450-014	SECTION CARRIER, 6 FT	12
0450-015	FORWARD TINE MOUNT, 6 FT	12
0450-016	CENTER TINE MOUNT, 6 FT	12
0450-017	REAR TINE MOUNT, 6 FT	12
0450-018	TRANSPORT LOCK	4, 10
0450-021	HARROW CARRIER BRACKET, (GEN-2)	6
0450-022	ACTUATOR TRANSPORT LOCK	6
0450-023	TRANSPORT LOCK	6
0450-024	ADJUSTMENT LINK (RH)	6
0450-025	CARRIER ARM, (GEN-2)	6
0450-026	ADJUSTMENT LINK (LH)	6
0450-029	BACKING PLATE	6
0450-030	ADJUSTMENT SCREW	6
0450-032	TINE MOUNT EXTENSION	14
0450-033	LOWER CARRIER ARM	6, 10
0450-034	UPPER CARRIER ARM	6
0450-040	HARROW CARRIER ARM MOUNT	10
0450-500	CARRIER ARM ASSEMBLY, (GEN-1)	4
0450-501	SECTION CARRIER ASSEMBLY, 4-1/2 FT, STRAIGHT TINES	12
0450-502	SECTION CARRIER ASSEMBLY, 6 FT, STRAIGHT TINES	12
0450-503	SECTION CARRIER ASSEMBLY, 4-1/2 FT, BENT TINES	12
0450-504	SECTION CARRIER ASSEMBLY, 6 FT, BENT TINES	12

Part Number Page Reference

[Back to TOC](#)

PART NO.	DESCRIPTION	PAGE NO.
0450-505	CARRIER ARM ASSEMBLY, (GEN-2)	6
0450-506	SINGLE TINE EXTENSION ASSEMBLY w/BENT TINES (LH)	14
0450-507	SINGLE TINE EXTENSION ASSEMBLY w/BENT TINES (RH)	14
0450-508	SINGLE TINE EXTENSION ASSEMBLY w/STRAIGHT TINES (LH)	14
0450-509	SINGLE TINE EXTENSION ASSEMBLY w/STRAIGHT TINES (RH)	14
0450-515	ADJUSTABLE CARRIER ARM ASSEMBLY, (GEN-2) (After 1995)	6
0450-530	FORWARD TINE MOUNT, 4-1/2 FT, w/STRAIGHT TINES	12
0450-531	CENTER TINE MOUNT, 4-1/2 FT, w/STRAIGHT TINES	12
0450-532	REAR TINE MOUNT, 4-1/2 FT, w/STRAIGHT TINES	12
0450-533	FORWARD TINE MOUNT, 6 FT, w/STRAIGHT TINES	12
0450-534	CENTER TINE MOUNT, 6 FT, w/STRAIGHT TINES	12
0450-535	REAR TINE MOUNT, 6 FT, w/STRAIGHT TINES	12
0450-536	FORWARD TINE MOUNT, 4-1/2 FT, w/BENT TINES	12
0450-537	CENTER TINE MOUNT, 4-1/2 FT, w/BENT TINES	12
0450-538	REAR TINE MOUNT, 4-1/2 FT, w/BENT TINES	12
0450-539	FORWARD TINE MOUNT, 6 FT, w/BENT TINES	12
0450-540	CENTER TINE MOUNT, 6 FT, w/BENT TINES	12
0450-541	REAR TINE MOUNT, 6 FT, w/BENT TINES	12
5111-001	COMPRESSION SPRING	4, 8, 10
5111-010	EXTENSION SPRING	6
5129-003	EXTENSION SPRING	6
5213-010	U-BOLT, 1/2" NC	4, 6, 8, 10
5459-075	SNAP RING, 3/4"	8
5461-004	BLACK FOAM GRIP	8
5461-005	BLACK FINISHING PLUG	8
5461-006	POLYURETHANE WASHER	8
5486-075	SHAFT COLLAR, 3/4"	8
5952-620	DOUBLE TORSION SPRING HARROW TOOTH, STRAIGHT	12
5952-621	SINGLE TORSION SPRING HARROW TOOTH, STRAIGHT (LH)	14
5952-622	SINGLE TORSION SPRING HARROW TOOTH, STRAIGHT (RH)	14
6132-003	BUSHING	12, 14
6135-030	BUSHING	4, 10
6135-610	NYLATRON BUSHING	6
6135-611	BUSHING	6
6143-007	BUSHING	8

Part Number Page Reference

[Back to TOC](#)

PART NO.	DESCRIPTION	PAGE NO.
6143-055	BUSHING	8
6144-001	BUSHING	6, 8, 10
6486-075	SHAFT COLLAR, 3/4", cross drilled	8
6952-620	DOUBLE TORSION SPRING HARROW TOOTH, BENT	12
6952-621	SINGLE TORSION SPRING HARROW TOOTH, BENT (LH)	14
6952-622	SINGLE TORSION SPRING HARROW TOOTH, BENT (RH)	14
7111-023	CAP SCREW, 5/16" NC X 1-1/2"	8
7112-050	CAP SCREW, 3/8" NC X 1"	12
7112-066	CAP SCREW, 3/8" NC X 2-1/2"	12, 14
7113-100	CAP SCREW, 1/2" NC X 1"	12
7113-101	CAP SCREW, 1/2" NC X 1-1/4"	12
7113-102	CAP SCREW, 1/2" NC X 1-1/2"	12
7113-122	CAP SCREW, 1/2" NC X 4"	4, 10
7113-124	CAP SCREW, 1/2" NC X 4-1/2"	4, 6, 10
7113-129	CAP SCREW, 1/2" NC X 5-1/2"	4, 6, 10
7114-006	CAP SCREW, 5/8" NC X 1-3/4"	8, 10
7114-040	CAP SCREW, 5/8" NC X 4"	6, 8, 10
7114-045	CAP SCREW, 5/8" NC X 4-1/2"	6, 8
7114-050	CAP SCREW, 5/8" NC X 5"	8
7114-055	CAP SCREW, 5/8" NC X 5-1/2"	6
7114-060	CAP SCREW, 5/8" NC X 6"	8
7114-076	CAP SCREW, 5/8" NC X 7-1/2"	4
7115-071	CAP SCREW, 3/4" NC X 6-1/2"	6
7313-005	EYE BOLT, 1/2" NC	6
7721-008	LOCK NUT, 5/16" NC	8
7722-110	NYLOCK LOCK NUT, 3/8" NC	12, 14
7723-015	HEX NUT, 1/2" NC	4, 6, 10
7723-216	NYLOCK LOCK NUT, 1/2" NC	6, 8, 12
7724-005	HEX NUT, 5/8" NC	6
7724-105	JAM NUT, 5/8" NC	6
7724-120	NYLOCK LOCK NUT, 5/8" NC	4, 6, 8, 10
7725-120	NYLOCK LOCK NUT, 3/4" NC	4, 6, 10
7813-015	FLAT WASHER, 1/2"	6
7814-015	FLAT WASHER, 5/8"	4, 6, 8, 10
7815-016	FLAT WASHER, 3/4"	8

Part Number Page Reference

[Back to TOC](#)

PART NO.	DESCRIPTION	PAGE NO.
7843-015	LOCK WASHER, 1/2"	4, 6, 10
7844-020	LOCK WASHER, 5/8"	6
7895-101	MACH. BUSHING, 3/4" 14GA WR	8
7895-110	MACH. BUSHING, 3/4" 10GA NR	10
7895-111	MACH. BUSHING, 3/4" 10GA WR	4
7910-145	COTTER PIN, 1/8" X 1-1/4"	4
7910-150	COTTER PIN, 1/8" X 1-1/2"	10
7920-002	HITCH PIN CLIP, #8	4
7920-003	HITCH PIN CLIP, #10	10
7920-012	HITCH PIN, 1/2" X 4", w/SAFETY PIN	8
8025-004	SHAFT	8
TH9-001	CARRIER ARM MOUNT	8
TH9-002	UPPER CARRIER ARM	8
TH9-003	HANDLE	8
TH9-004	BACKING PLATE	8
TH9-005	LOWER CARRIER ARM MOUNT	8
TH9-006	CARRIER ARM	10
TH9-007	BACKING PLATE	10
TH9-550	TINE HARROW CARRIER ARM ASSEMBLY, (GEN-3)	8
TH9-560	TINE HARROW CARRIER ARM ASSEMBLY, (GEN-4)	10

