

PARTS CATALOG

TR600 SERIES

DUAL AUGER

HEADER

J.E. LOVE COMPANY

LOVE

**GARFIELD, WASHINGTON 99130-0188
(509)635-1321 ■ FAX: (509)635-1434**

PARTS CATALOG

TR600 SERIES

DUAL AUGER

HEADER



GARFIELD, WASHINGTON 99130-0188
(509)635-1321 ■ FAX: (509)635-1434

TABLE OF CONTENTS

<u>TITLE</u>	<u>PAGE</u>
WARRANTY	
WARRANTY REGISTRATION	
SAFETY INTRODUCTION	
DECAL LOCATIONS	
SECTION ONE	
COMMON PARTS ILLUSTRATIONS & LISTING	
HEADER FRAME PARTS	1-2
END SHIELDS & OUTER DIVIDER - RIGHT END (RE)	1-4
END SHIELDS & OUTER DIVIDER - LEFT END (LE)	1-6
MECHANICAL AUGER DRIVES - RE	1-8
MECHANICAL AUGER DRIVES - LE	1-10
HYDRAULIC AUGER DRIVES - RE	1-12
HYDRAULIC AUGER DRIVES - LE	1-14
STRIPPERS, AUGERS, BEARINGS & SHAFT - LE	1-16
STRIPPERS AND AUGERS - RE	1-18
SICKLE DRIVES - RE	1-20
SICKLE DRIVES - LE	1-22
KNIFE DRIVE CASE	1-24
LOVE LB223 GUARD CUTTERBAR ASSEMBLY	1-26
DUAL SICKLE DRIVE - RH ASSEMBLY	1-28
DUAL SICKLE DRIVE - LH ASSEMBLY	1-30
REEL ARM AND HYDRAULIC LIFT CYLINDER - RE	1-32
REEL ARM, HYDRAULIC LIFT CYLINDER AND SAFETY STANDS - LE	1-34
REEL DRIVE AND ATTACHING PARTS - RE	1-36
REEL DRIVE AND ATTACHING PARTS - LE	1-38
REEL ECCENTRIC PARTS (H9400)	1-40
OUTSIDE SPIDER ASSEMBLY PARTS (H9418)	1-42
NON-WRAP PICK UP REEL PARTS	1-44

TABLE OF CONTENTS

<u>TITLE</u>	<u>PAGE</u>
HEADER HYDRAULIC CIRCUIT PARTS PUMP AND DRIVES	1-46
HEADER HYDRAULIC CIRCUIT PARTS	1-48
POWER UNIT HYDRAULIC CIRCUIT PARTS	1-50
MANIFOLD AND ELECTRICAL PARTS	1-52

SECTION TWO SPECIFIC MODEL

JOHN DEERE 2280 13.5 FT. KIT NO. R14713

JOHN DEERE 3430 13.5 FT. KIT NO. R14716

JOHN DEERE 3430 15 FT. KIT NO. R14717

CASE/HESSTON HYDRAULIC HEADER DRIVE
KIT NO. R14701,R14706,R14711

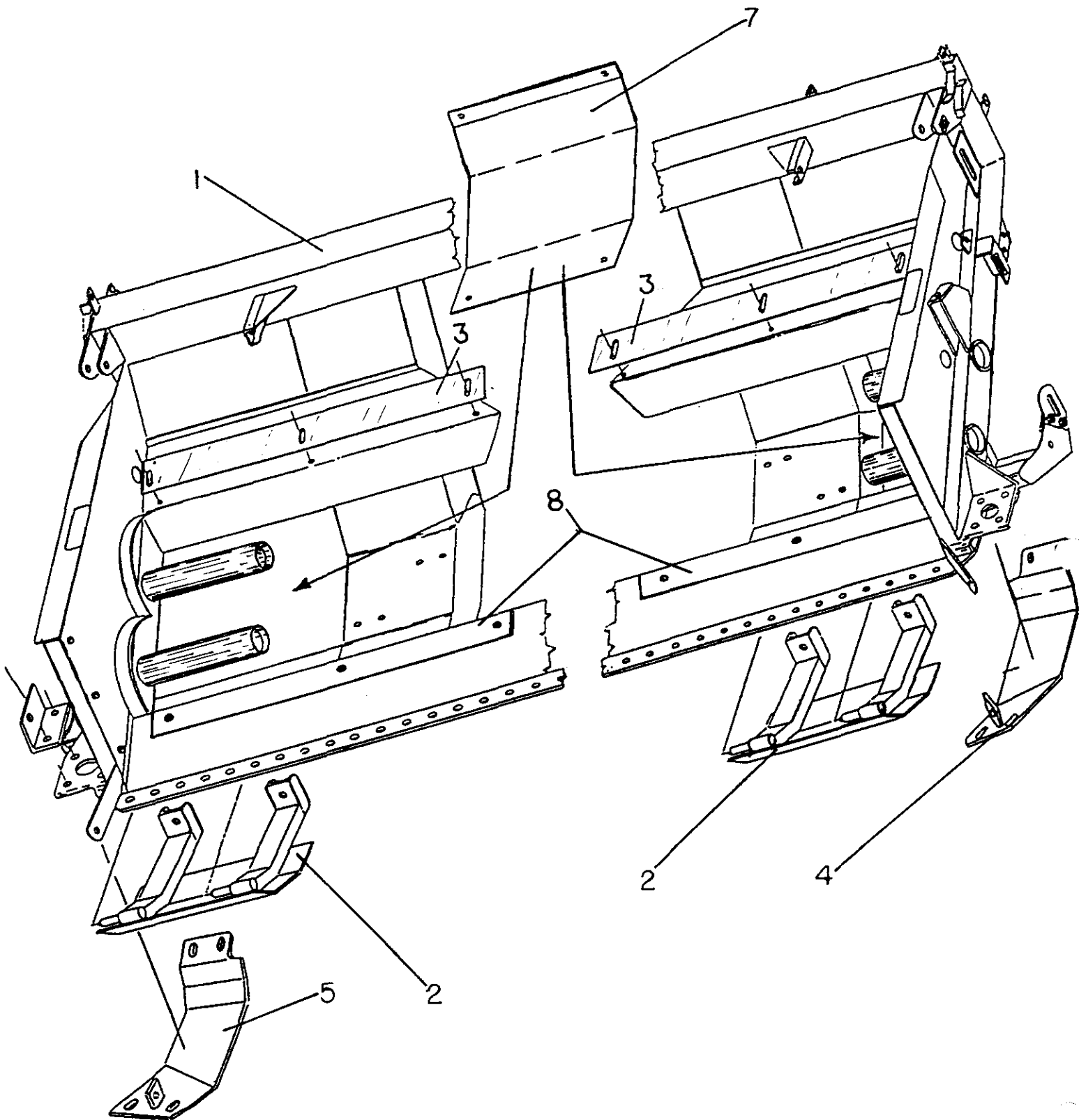
CASE/IHC 5000 KIT NO. R14704, R14705

LOVE TR600 SERIES DUAL AUGER HEADER

SECTION ONE

COMMON PARTS ILLUSTRATIONS AND LISTING

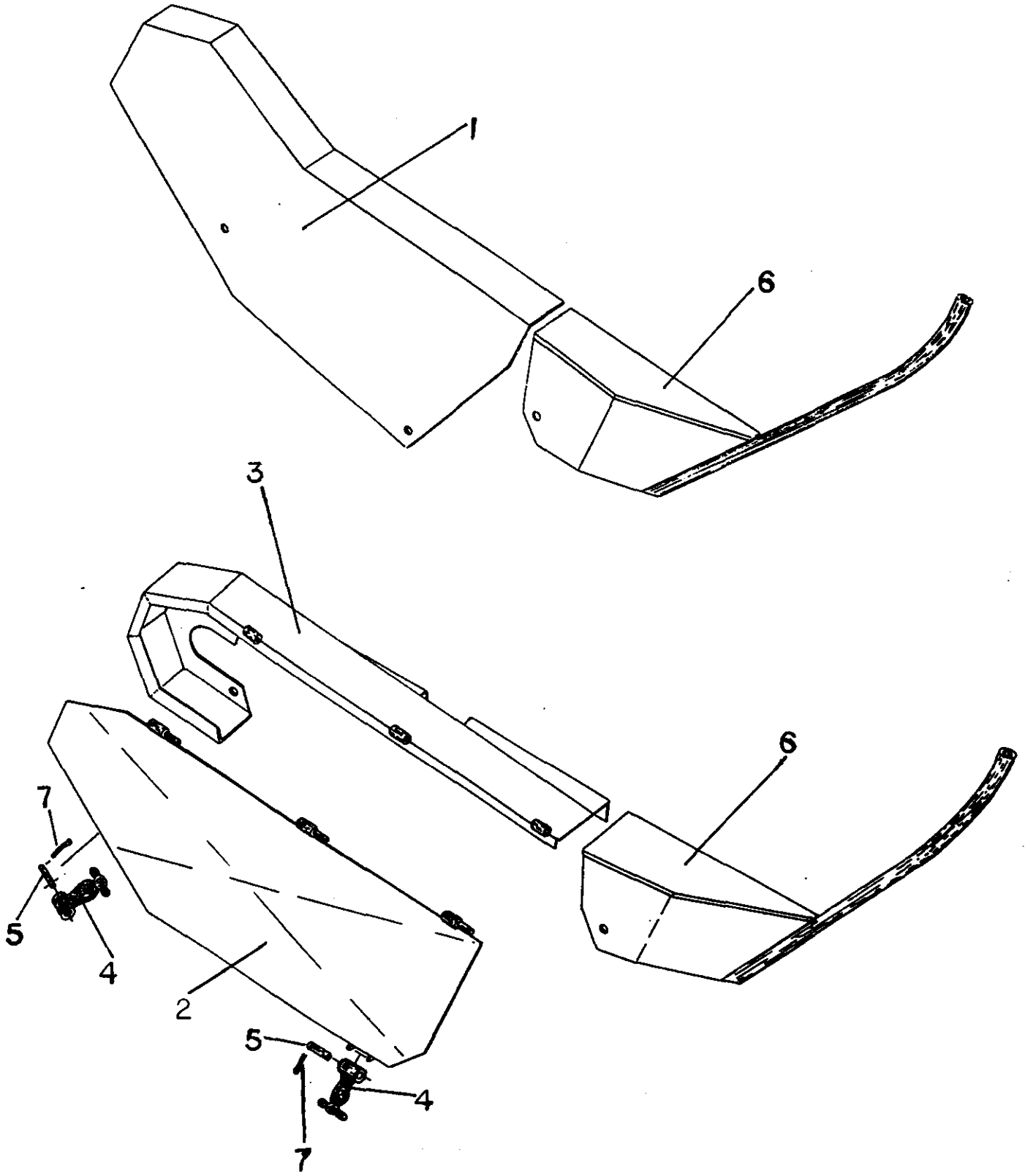
HEADER FRAME PARTS



HEADER FRAME PARTS

<u>KEY</u>	<u>PART #</u>	<u>DESCRIPTION</u>	<u>QUANTITY</u>		
			<u>12FT</u>	<u>13.5 FT</u>	<u>15FT</u>
1	R14450	FRAME, 15 FT	0	0	1
	R14460	FRAME, 12 FT	1	0	0
	R14535	FRAME, 13.5 FT	0	1	0
2	R14487	PLATE, SKID - 12 FT	2	0	0
	R14486	PLATE, SKID - 13.5 FT	0	2	0
	R14485	PLATE, SKID - 15 FT	0	0	2
3	R14496	STRIPPER, PRIMARY - 12 FT	2	0	0
	R14540	STRIPPER, PRIMARY - 13.5 FT	0	2	0
	R14497	STRIPPER, PRIMARY - 15 FT	0	0	2
4	R14498	SKID, PITMAN PLATE - LH	1	1	1
5	R14499	SKID, PITMAN PLATE - RH	1	1	1
6	R14534	MOUNT, DIVIDER - RH SINGLE DRIVE ONLY	1		
7	R14548	PAN, BOTTOM - 12 FT	2	0	0
	R14547	PAN, BOTTOM - 13.5 FT	0	2	0
	R14546	PAN, BOTTOM - 15 FT	0	0	2
8	R14679	STRIPPER, FRONT AUGER - 12 FT	2	0	0
	R14680	STRIPPER, FRONT AUGER - 13.5 FT	0	2	0
	R14666	STRIPPER, SHORT FRONT AUGER - 13.5 FT.			
	R14681	STRIPPER, FRONT AUGER - 15 FT	0	0	2

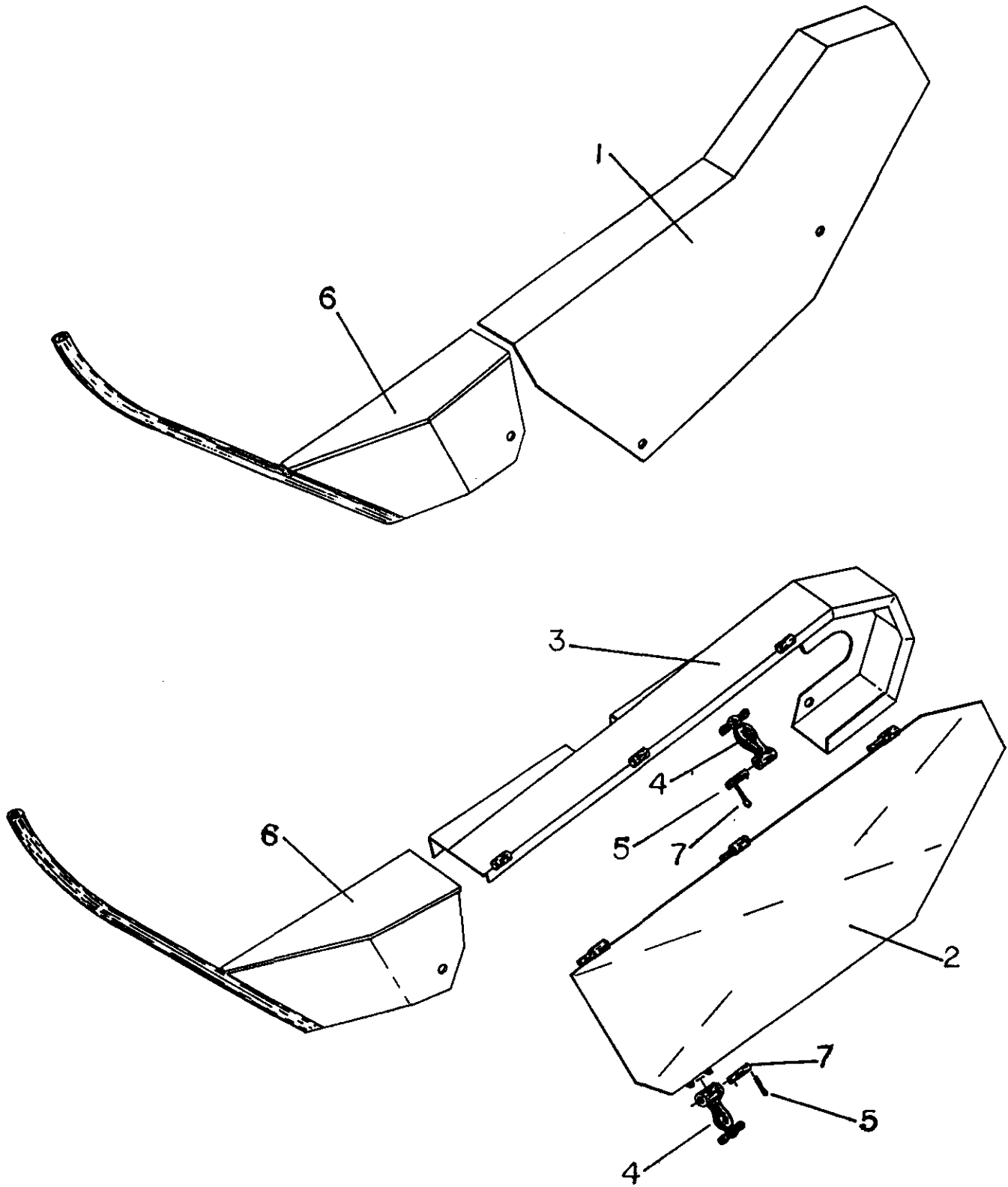
END SHIELDS & OUTER DIVIDER - RIGHT END



END SHIELDS & OUTER DIVIDER - RIGHT END

<u>KEY</u>	<u>PART #</u>	<u>DESCRIPTION</u>	<u>QUANTITY</u>
1	R14516	END SHIELD, RIGHT END - PRIOR TO SN G006393	1
2	R14669	SHIELD, R.H. - FOLDING (SERIAL NO. G006393 & LATER)	1
3	R14671	SHIELD, R.H. MOUNT (SERIAL NO. G006393 & LATER)	1
4	R14675	LATCH	2
5	R14676	PIN, LATCH	2
6	R14551	DIVIDER, R.H.	1
7	X3A06-0500	COTTER PIN, 1/16 X 1/2	2

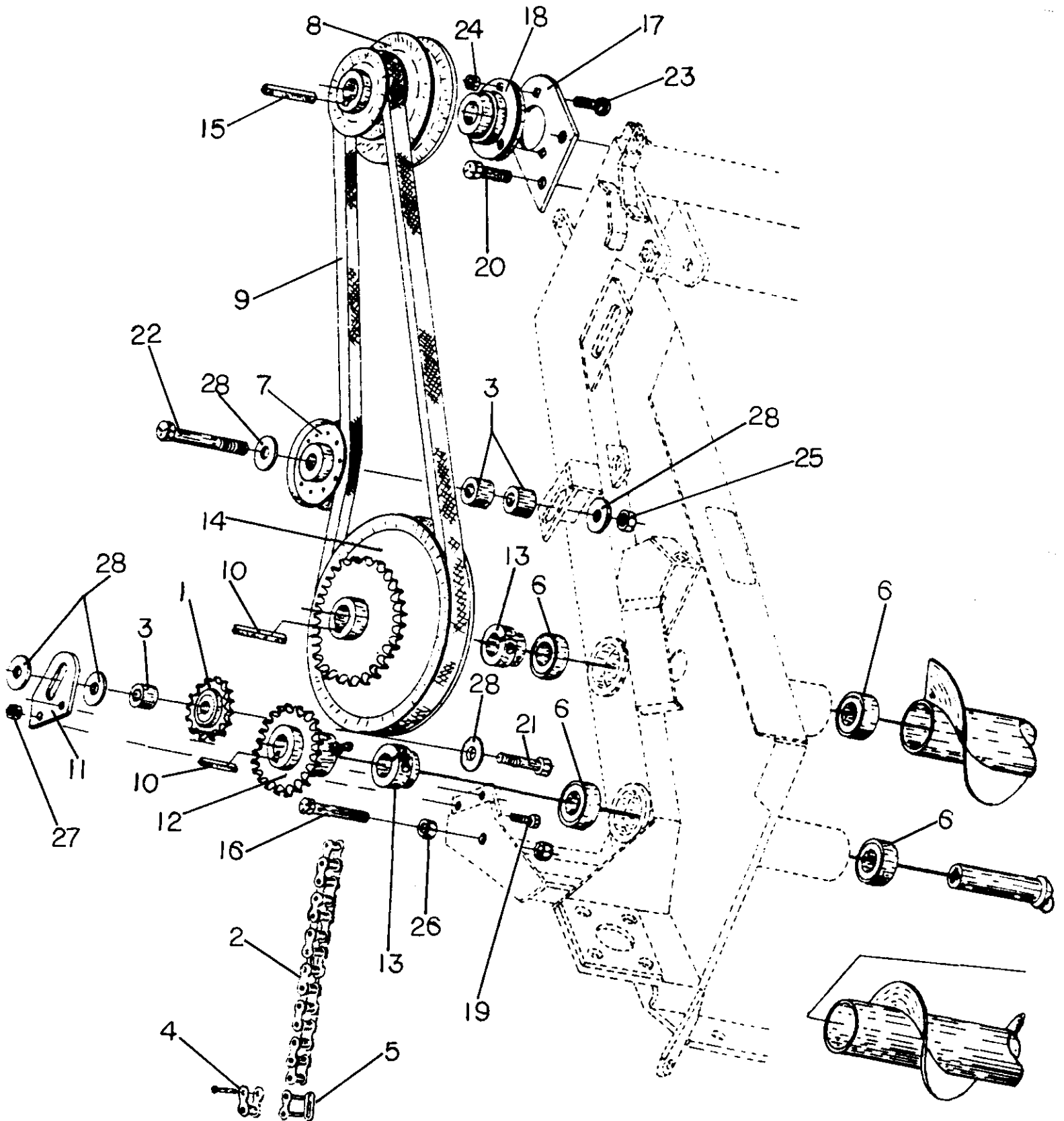
END SHIELDS & OUTER DIVIDER - LEFT END



END SHIELDS & OUTER DIVIDER - LEFT END

<u>KEY</u>	<u>PART #</u>	<u>DESCRIPTION</u>	<u>QUANTITY</u>
1	R14515	END SHIELD, LEFT END - PRIOR TO SN G006393	1
2	R14668	SHIELD, L.H. - FOLDING (SERIAL NO. G006393 & LATER)	1
3	R14670	SHIELD, L.H. MOUNT (SERIAL NO. G006393 & LATER)	1
4	R14675	LATCH	2
5	R14676	PIN, LATCH	2
6	R14552	DIVIDER, L.H.	1
7	X3A06-0500	COTTER PIN, 1/16 X 1/2	2

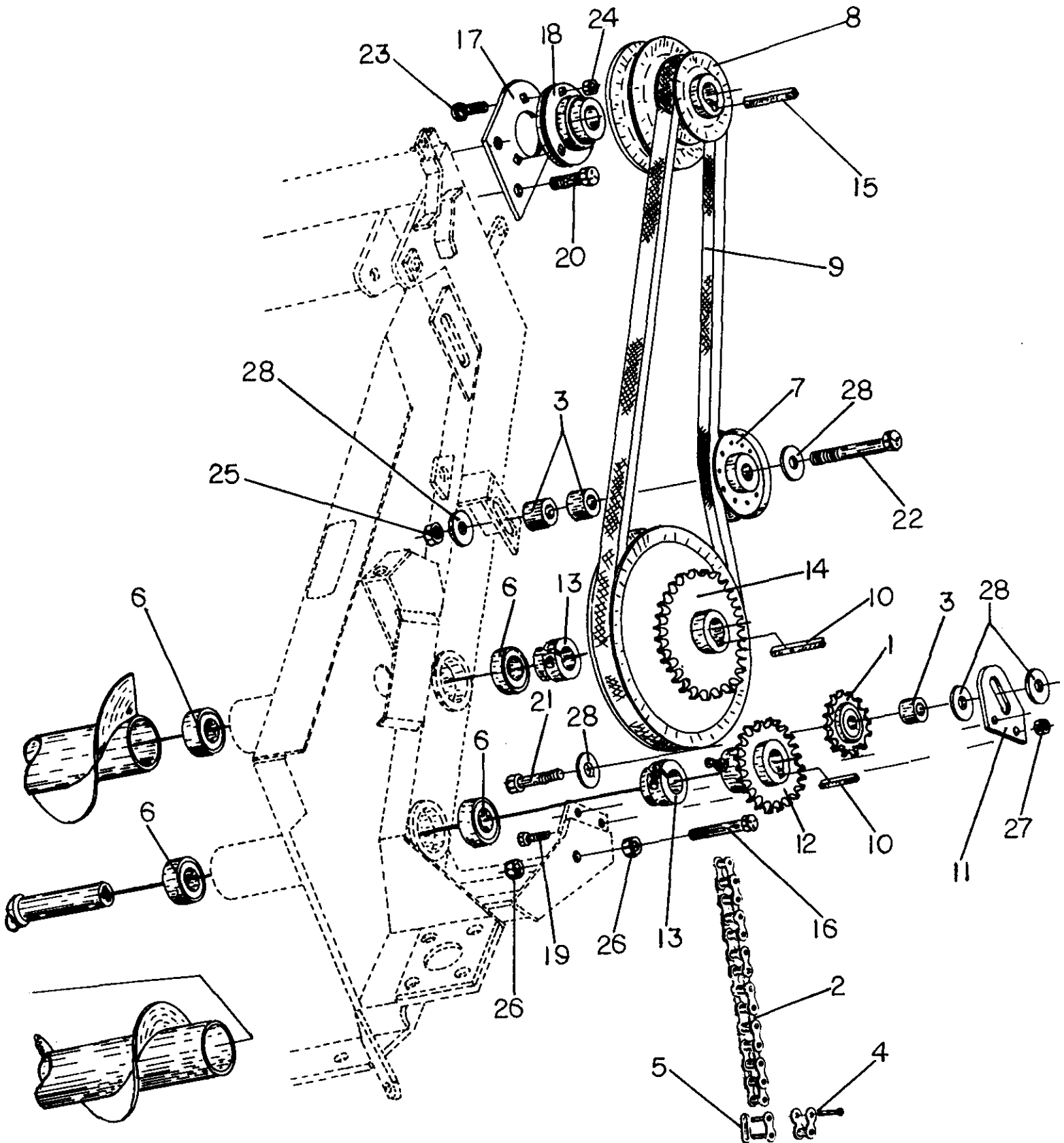
MECHANICAL AUGER DRIVES, RIGHT END



MECHANICAL AUGER DRIVES, RIGHT END

<u>KEY</u>	<u>PART #</u>	<u>DESCRIPTION</u>	<u>QTY</u>
1	A1506	IDLER SPROCKET, RC50	1
2	A1671	ROLLER CHAIN, RC50 - BOX OF 10 FT	AR
3	A20325	SPACER	3
4	B1815	OFFSET LINK, RC50 CHAIN	AR
5	B1816	CONNECTOR LINK, RC50 CHAIN	1
6	R14016	BEARING, AUGER	4
7	R14136	IDLER PULLEY	1
8	R14414	PULLEY, DOUBLE - 8.75" - "C" AND 4.8 "B"	1
9	R14437	V-BELT, B103	1
10	R14577	KEY, 3/8" X 2-1/2" - SQUARE	2
11	R14578	MOUNT, AUGER DRIVE IDLER	1
12	R14643	SPROCKET, AUGER DRIVEN SN G006393 & UP	1
	R14522	SPROCKET, AUGER DRIVE - 27T SN TO G006393	1
13	R14644	COLLAR, SPLIT CLAMP, SN G006393 & LATER	2
14	R14645	PULLEY & SPKT, SN G006393 & LATER	1
15	R14664	KEY, 1/4" X 3" - SQUARE	1
16	R14674	STOP, SHIELD - ADJUSTABLE	1
17	R14684	MOUNT, BEARING - HEAVY DUTY	1
	R14479	MOUNT, BEARING - PRIOR TO SERIAL NO. G006550	1
18	R14695	BEARING, 1-1/4" HD FLANGETTE	1
	R14696	BEARING, 1-1/4" HD CARTRIDGE ONLY W/ COLLAR	(1)
	R14697	FLANGETTE, 72 MM - HD SERIAL NO. G006550 & UP	(2)
18	R14448	BEARING, 1-1/4" FLANGETTE - PRIOR TO SN G006550	1
	R14451	BEARING, CARTRIDGE ONLY - 1-1/4" BORE	(1)
	D10240	FLANGE, 62 MM - PRIOR TO SERIAL NO. G006550	(2)
19	X2A0370075	CAP SCREW, 3/8-16 UNC X 3/4"	2
20	X2A0500150	CAP SCREW, 1/2-13 UNC X 1-1/4"	2
21	X2A0620250	CAP SCREW, 5/8-11 UNC X 2-1/2"	1
22	X2A0620350	CAP SCREW, 5/8-11 UNC X 3-1/2"	1
23	X2B0370100	CARRIAGE, 3/8-16 UNC X 1"	3
24	X2C037	NUT, 3/8-16 UNC HEX	3
25	X2C062	NUT, 5/8-11 UNC HEX	2
26	X2D037	NUT, 3/8-16 UNC HEX JAM	2
27	X2E037-SF3	NUT, 3/8-16 UNC WHIZ LOCK HEX	2
28	X3C062	FLAT WASHER, 5/8	AR

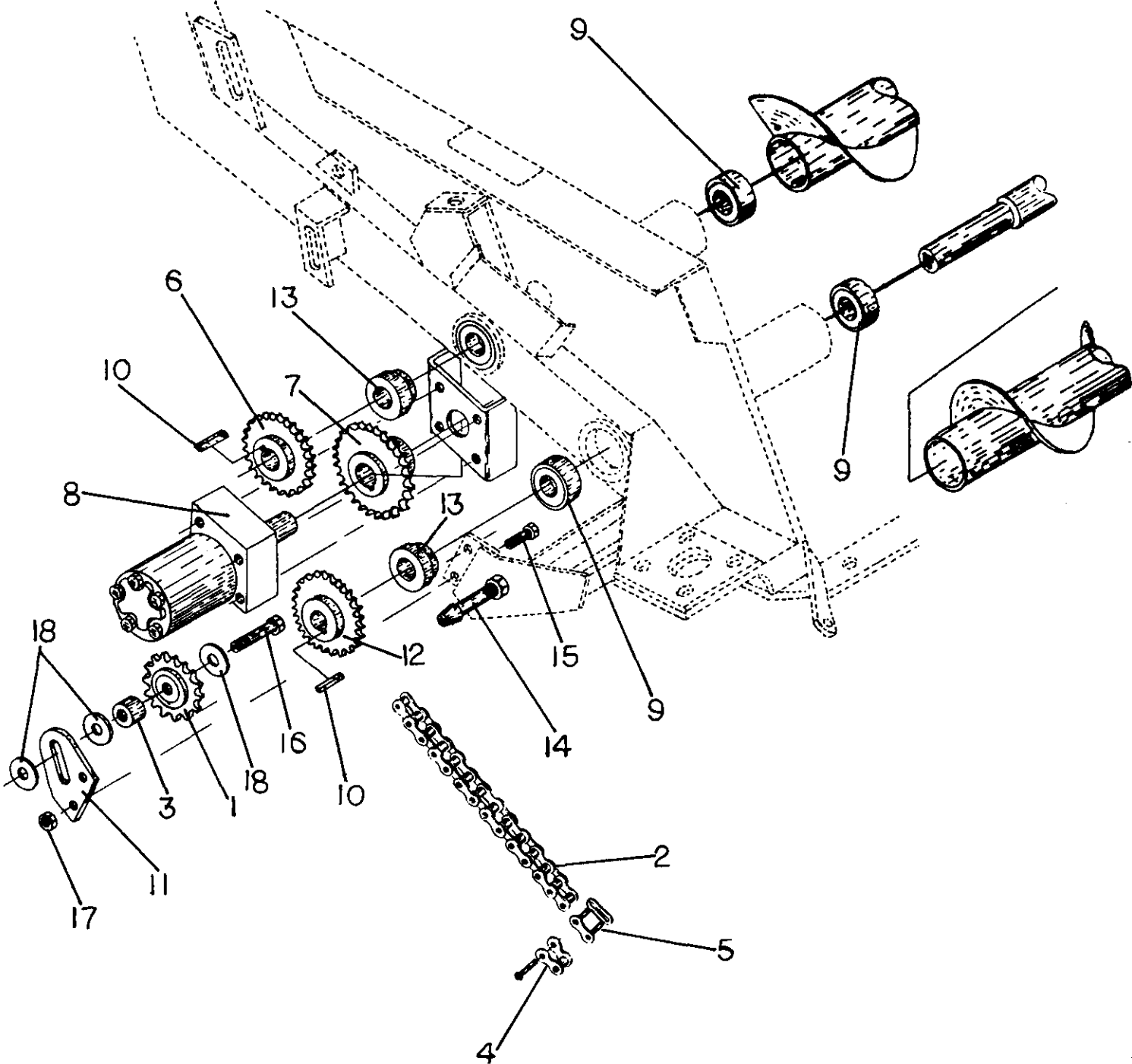
MECHANICAL AUGER DRIVES, LEFT END



MECHANICAL AUGER DRIVES, LEFT END

<u>KEY</u>	<u>PART #</u>	<u>DESCRIPTION</u>	<u>QTY</u>
1	A1506	IDLER SPROCKET, RC50	1
2	A1671	ROLLER CHAIN, RC50 - BOX OF 10 FT	AR
3	A20325	SPACER	3
4	B1815	OFFSET LINK, RC50 CHAIN	AR
5	B1816	CONNECTOR LINK, RC50 CHAIN	1
6	R14016	BEARING, AUGER	4
7	R14136	IDLER PULLEY	1
8	R14414	PULLEY, DOUBLE - 8.75" - "C" AND 4.8 "B"	1
9	R14437	V-BELT, B103	1
10	R14577	KEY, 3/8" X 2-1/2" - SQUARE	2
11	R14578	MOUNT, AUGER DRIVE IDLER	1
12	R14643	SPROCKET, AUGER DRIVEN SN G006393 & UP	1
	R14522	SPROCKET, AUGER DRIVE - 27T SN TO G006393	1
13	R14644	COLLAR, SPLIT CLAMP, SN G006393 & LATER	2
14	R14645	PULLEY & SPKT, SN G006393 & LATER	1
15	R14664	KEY, 1/4" X 3" - SQUARE	1
16	R14674	STOP, SHIELD - ADJUSTABLE	1
17	R14684	MOUNT, BEARING - HEAVY DUTY	1
	R14479	MOUNT, BEARING - PRIOR TO SERIAL NO. G006550	1
18	R14695	BEARING, 1-1/4" HD FLANGETTE	1
	R14696	BEARING, 1-1/4" HD CARTRIDGE ONLY W/ COLLAR	(1)
	R14697	FLANGETTE, 72 MM - HD SERIAL NO. G006550 & UP	(2)
18	R14448	BEARING, 1-1/4" FLANGETTE - PRIOR TO SN G006550	1
	R14451	BEARING, CARTRIDGE ONLY - 1-1/4" BORE	(1)
	D10240	FLANGE, 62 MM - PRIOR TO SERIAL NO. G006550	(2)
19	X2A0370075	CAP SCREW, 3/8-16 UNC X 3/4"	2
20	X2A0500150	CAP SCREW, 1/2-13 UNC X 1-1/4"	2
21	X2A0620250	CAP SCREW, 5/8-11 UNC X 2-1/2"	1
22	X2A0620350	CAP SCREW, 5/8-11 UNC X 3-1/2"	1
23	X2B0370100	CARRIAGE, 3/8-16 UNC X 1"	3
24	X2C037	NUT, 3/8-16 UNC HEX	3
25	X2C062	NUT, 5/8-11 UNC HEX	2
26	X2D037	NUT, 3/8-16 UNC HEX JAM	2
27	X2E037-SF3	NUT, 3/8-16 UNC WHIZ LOCK HEX	2
28	X3C062	FLAT WASHER, 5/8	AR

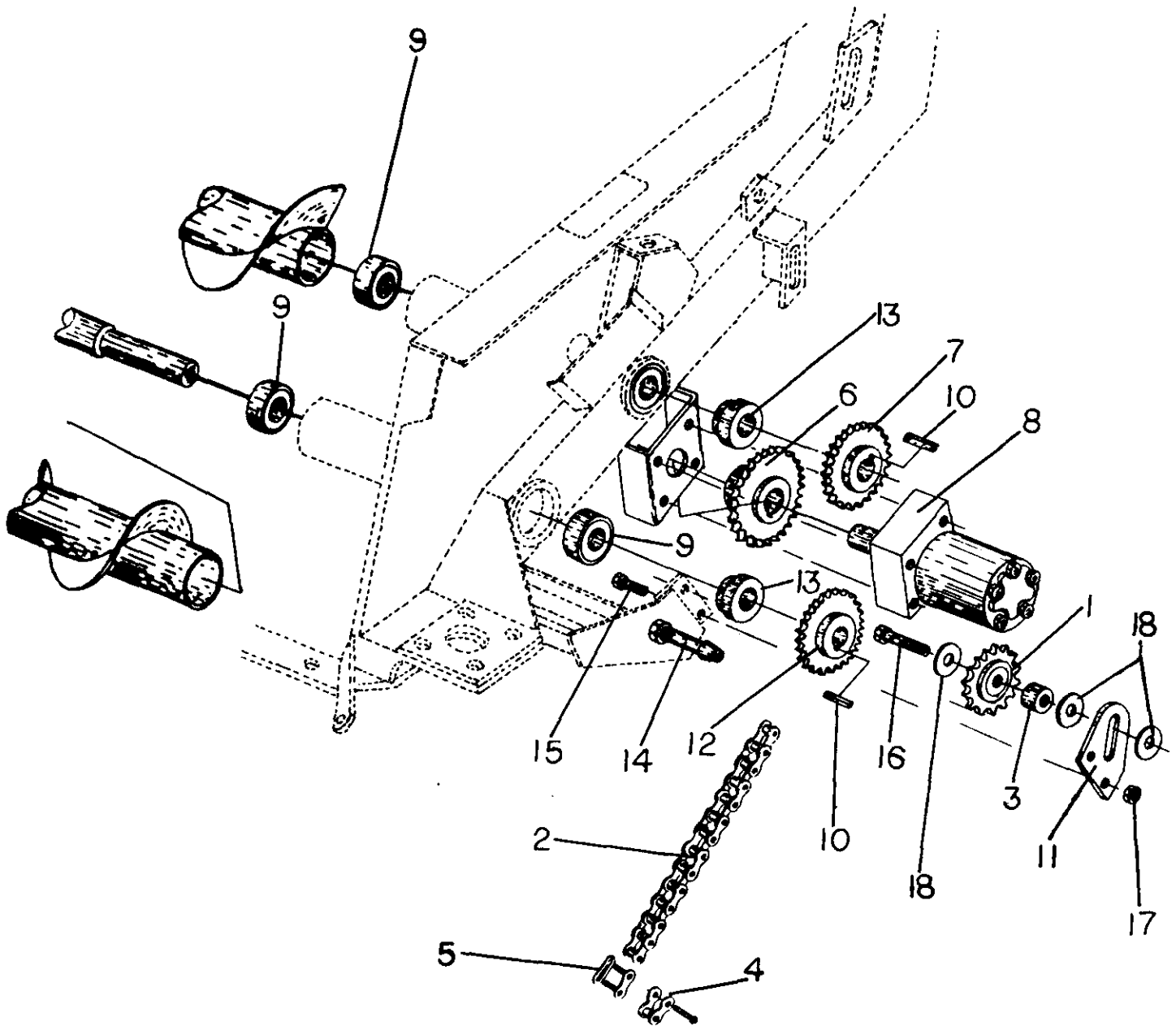
HYDRAULIC AUGER DRIVES, RIGHT END



HYDRAULIC AUGER DRIVES, RIGHT END

<u>KEY</u>	<u>PART #</u>	<u>DESCRIPTION</u>	<u>QTY</u>
1	A1506	IDLER SPROCKET, RC50	1
2	A1671	ROLLER CHAIN, RC50 - BOX OF 10 FT	AR
3	A20325	SPACER	1
4	B1815	OFFSET LINK, RC50 CHAIN	AR
5	B1816	CONNECTOR LINK, RC50 CHAIN	1
6	R 641	SPROCKET, 19 TOOTH RC50 X 1.00 BORE	1
7	R 642	SPROCKET, 27 TOOTH RC50 X 1.50 BORE	1
8	R 643	HYDRAULIC MOTOR, 4 CU IN - 4 BOLT MOUNTING	1
9	R14016	BEARING, AUGER	4
10	R14577	KEY, 3/8" X 2-1/2" - SQUARE	2
11	R14578	MOUNT, AUGER DRIVE IDLER	1
12	R14643	SPROCKET, AUGER DRIVEN SN G006393 & UP	1
	R14522	SPROCKET, AUGER DRIVE - 27T SN TO G006393	1
13	R14644	COLLAR, SPLIT CLAMP, SN G006393 & LATER	2
14	R14674	STOP, SHIELD - ADJUSTABLE	1
15	X2A0370075	CAP SCREW, 3/8-16 UNC X 3/4"	2
16	X2A0620250	CAP SCREW, 5/8-11 UNC X 2-1/2"	1
17	X2C037	NUT, 3/8-16 UNC HEX	3
18	X3C062	FLAT WASHER, 5/8	AR

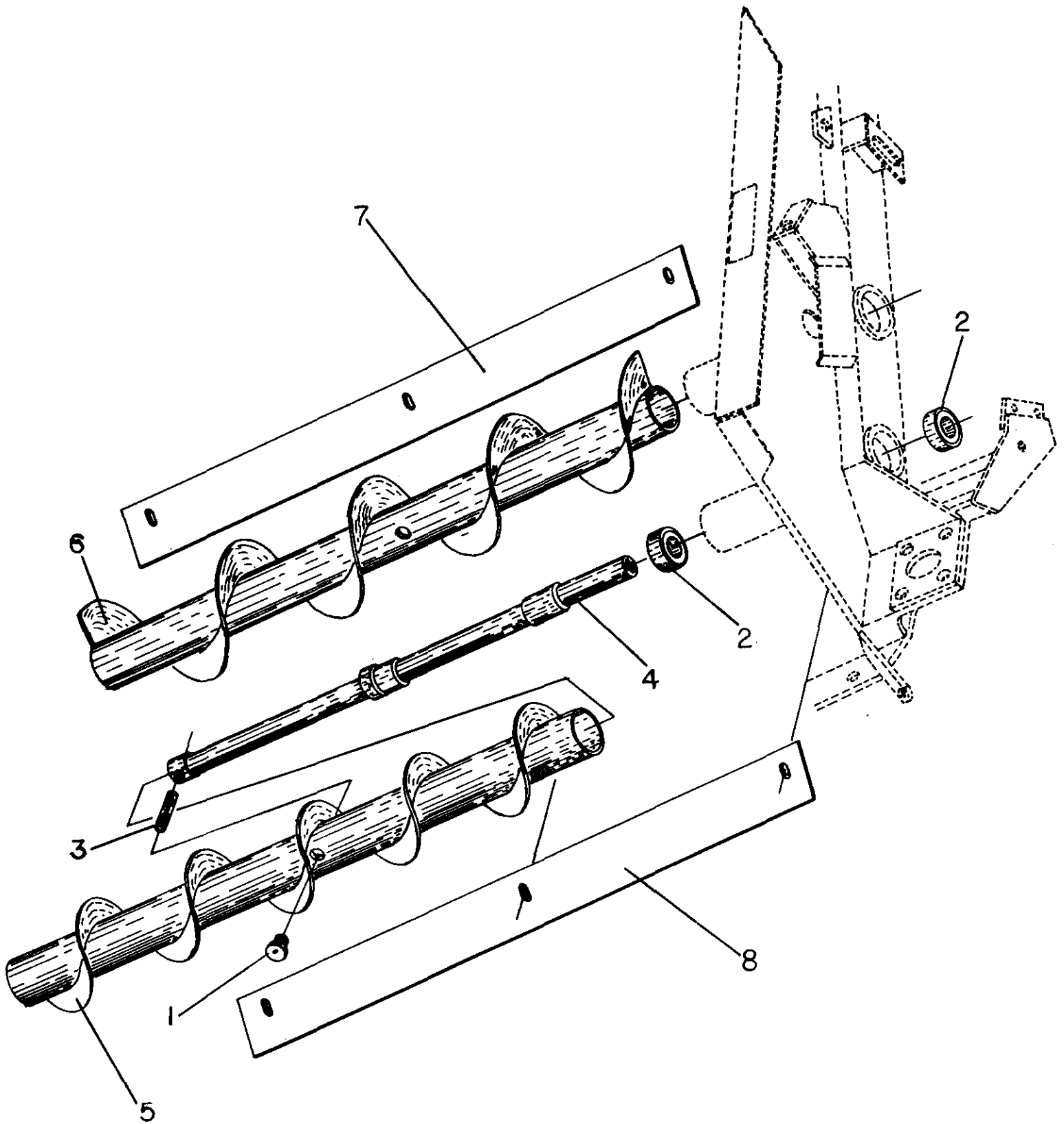
HYDRAULIC AUGER DRIVES, LEFT END



HYDRAULIC AUGER DRIVES, LEFT END

<u>KEY</u>	<u>PART #</u>	<u>DESCRIPTION</u>	<u>QTY</u>
1	A1506	IDLER SPROCKET, RC50	1
2	A1671	ROLLER CHAIN, RC50 - BOX OF 10 FT	AR
3	A20325	SPACER	1
4	B1815	OFFSET LINK, RC50 CHAIN	AR
5	B1816	CONNECTOR LINK, RC50 CHAIN	1
6	R 641	SPROCKET, 19 TOOTH RC50 X 1.00 BORE	1
7	R 642	SPROCKET, 27 TOOTH RC50 X 1.50 BORE	1
8	R 643	HYDRAULIC MOTOR, 4 CU IN - 4 BOLT MOUNTING	1
9	R14016	BEARING, AUGER	4
10	R14577	KEY, 3/8" X 2-1/2" - SQUARE	2
11	R14578	MOUNT, AUGER DRIVE IDLER	1
12	R14643	SPROCKET, AUGER DRIVEN SN G006393 & UP	1
	R14522	SPROCKET, AUGER DRIVE - 27T SN TO G006393	1
13	R14644	COLLAR, SPLIT CLAMP, SN G006393 & LATER	2
14	R14674	STOP, SHIELD - ADJUSTABLE	1
15	X2A0370075	CAP SCREW, 3/8-16 UNC X 3/4"	2
16	X2A0620250	CAP SCREW, 5/8-11 UNC X 2-1/2"	1
17	X2C037	NUT, 3/8-16 UNC HEX	3
18	X3C062	FLAT WASHER, 5/8	AR

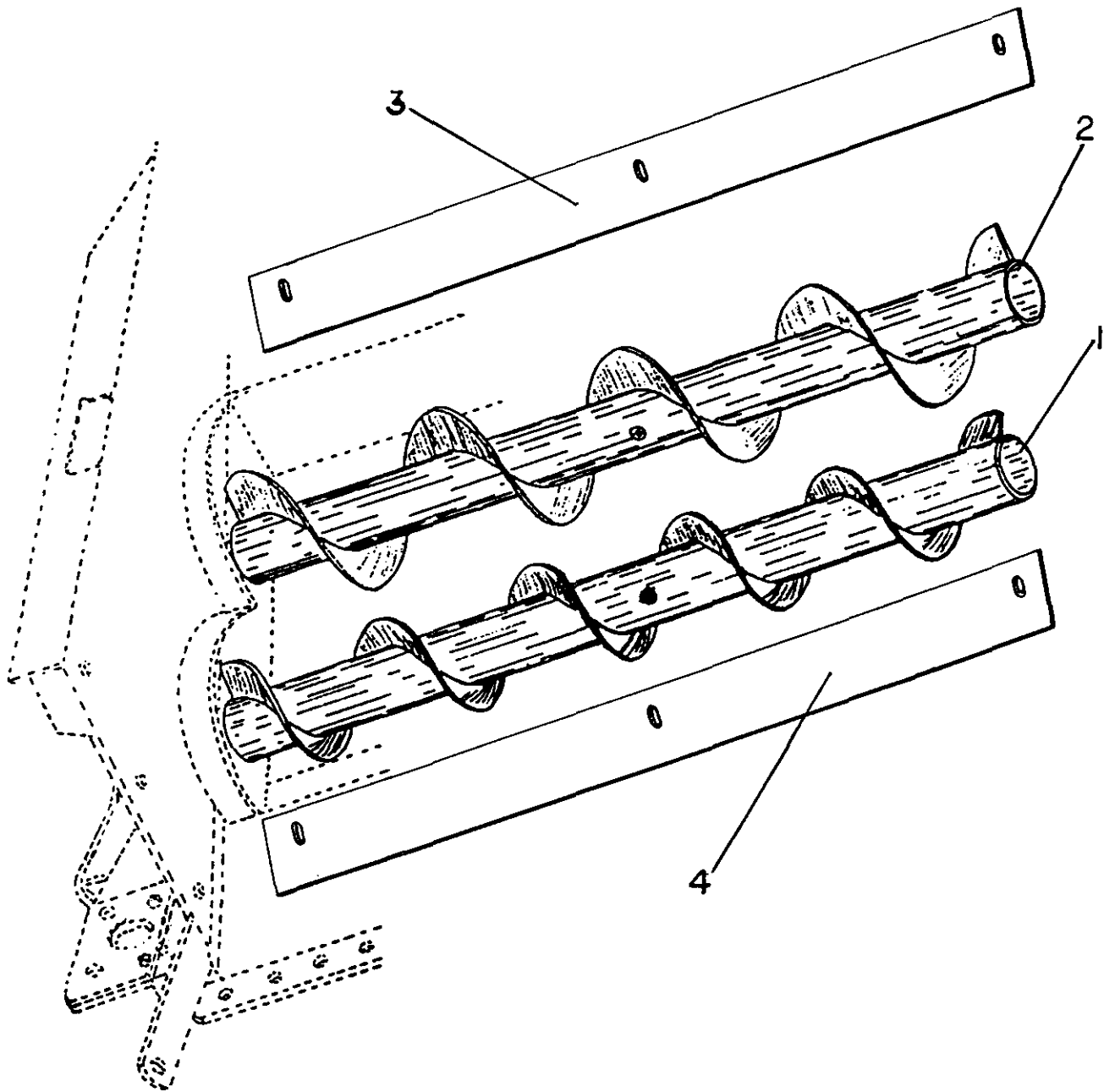
STRIPPERS, AUGERS, BEARINGS, AND SHAFT
LEFT END



**STRIPPERS, AUGERS, BEARINGS, AND SHAFT
LEFT END**

<u>KEY</u>	<u>PART #</u>	<u>DESCRIPTION</u>	<u>QTY</u>
1	F1237	PLUG, PLASTIC - PUSH	4
2	R14016	BEARING, AUGER	4
3	R14106	SPRING PIN, 7/16" X 3"	2
4	R14109	SHAFT, AUGER - SHORT (12 FT & 13.5 FT)	2
	R14526	SHAFT, AUGER - LONG	
5	R14117	AUGER, 9" LH - 12 FT.	1
	R14537	AUGER, 9" LH - 13.5 FT.	
	R14457	AUGER, 9" LH - 15 FT.	
5A	R14839	AUGER, 9" LH SHORT - 12 FT	1
	R14651	AUGER, 9" LH SHORT - 13.5 FT.	
	R14819	AUGER, 9" LH SHORT- 15 FT.	
6	R14119	AUGER, 12" LH - 12 FT.	1
	R14539	AUGER, 12" LH - 13.5 FT.	
	R14459	AUGER, 12" LH - 15 FT.	
6A	R14840	AUGER, 12" LH SHORT - 12 FT.	1
	R14653	AUGER, 12" LH SHORT - 13.5 FT.	
	R14821	AUGER, 12" LH SHORT - 15 FT.	
7	R14496	STRIPPER, BACK AUGER - 12 FT	1
	R14540	STRIPPER, BACK AUGER - 13.5 FT	
	R14497	STRIPPER, BACK AUGER - 15 FT	
8	R14679	STRIPPER, FRONT AUGER - 12 FT.	1
	R14680	STRIPPER, FRONT AUGER - 13.5 FT.	
	R14666	STRIPPER, SHORT FRONT AUGER - 13.5 FT.	
	R14681	STRIPPER, FRONT AUGER - 15 FT.	

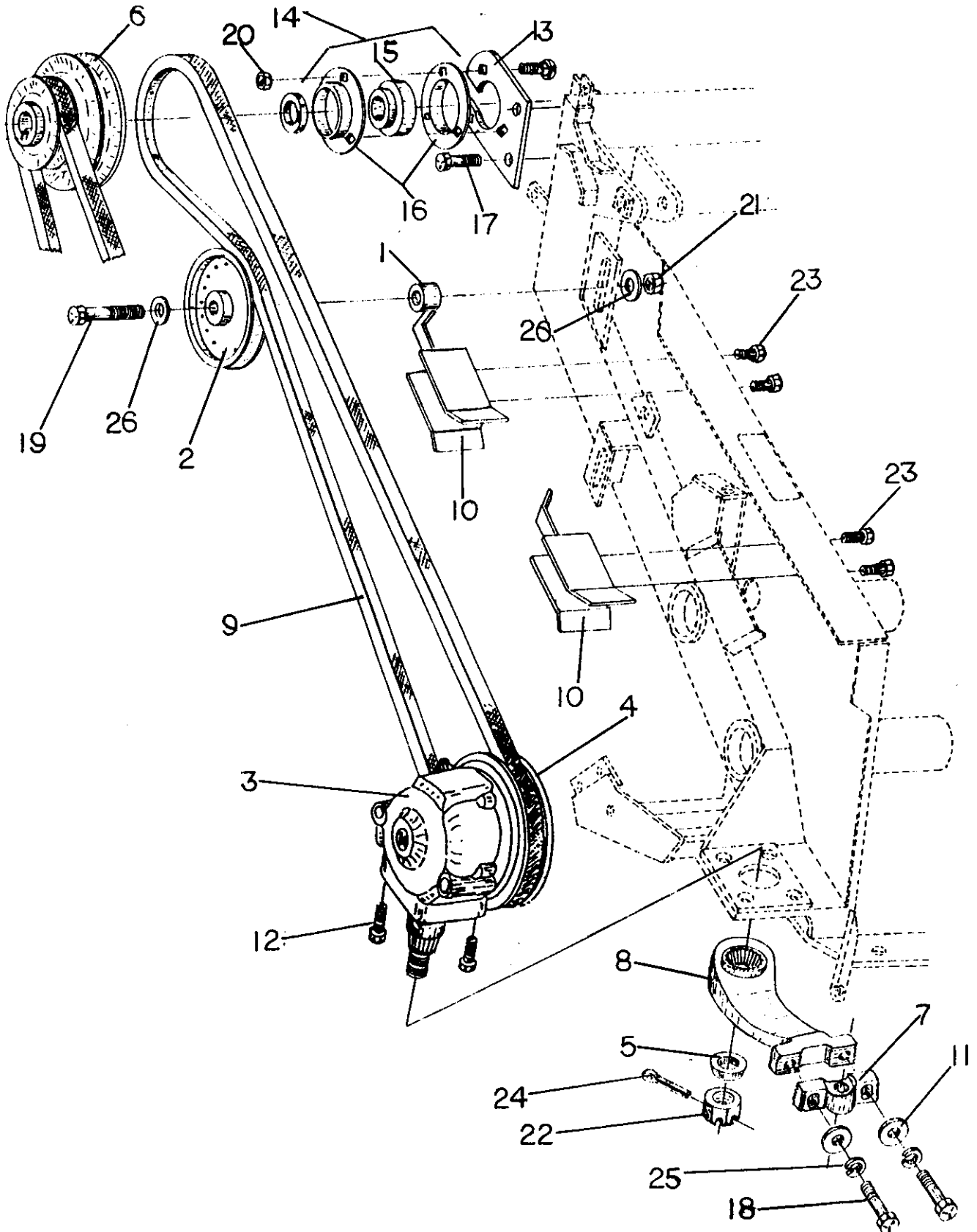
STRIPPERS AND AUGERS
RIGHT END



**STRIPPERS AND AUGERS
RIGHT END**

<u>KEY</u>	<u>PART #</u>	<u>DESCRIPTION</u>	<u>QTY</u>
1	R14116	AUGER, 9" RH - 12 FT.	1
	R14536	AUGER, 9" RH - 13.5 FT.	0
	R14556	AUGER, 9" RH - 15 FT.	0
1A	R14837	AUGER, 9" RH SHORT - 12 FT.	1
	R14650	AUGER, 9" RH SHORT - 13.5 FT.	
	R14818	AUGER, 9" RH SHORT - 15 FT.	
2	R14118	AUGER, 12" RH - 12 FT.	1
	R14538	AUGER, 12" RH - 13.5 FT.	0
	R14458	AUGER, 12" RH - 15 FT.	0
2A	R14838	AUGER, 12" RH SHORT - 12 FT.	1
	R14652	AUGER, 12" RH SHORT - 13.5 FT.	
	R14820	AUGER, 12" RH SHORT - 15 FT.	
3	R14496	STRIPPER, BACK AUGER - 12 FT	1
	R14540	STRIPPER, BACK AUGER - 13.5 FT	
	R14497	STRIPPER, BACK AUGER - 15 FT	
4	R14679	STRIPPER, FRONT AUGER - 12 FT.	1
	R14680	STRIPPER, FRONT AUGER - 13.5 FT.	
	R14666	STRIPPER, SHORT FRONT AUGER - 13.5 FT.	
	R14681	STRIPPER, FRONT AUGER - 15 FT.	

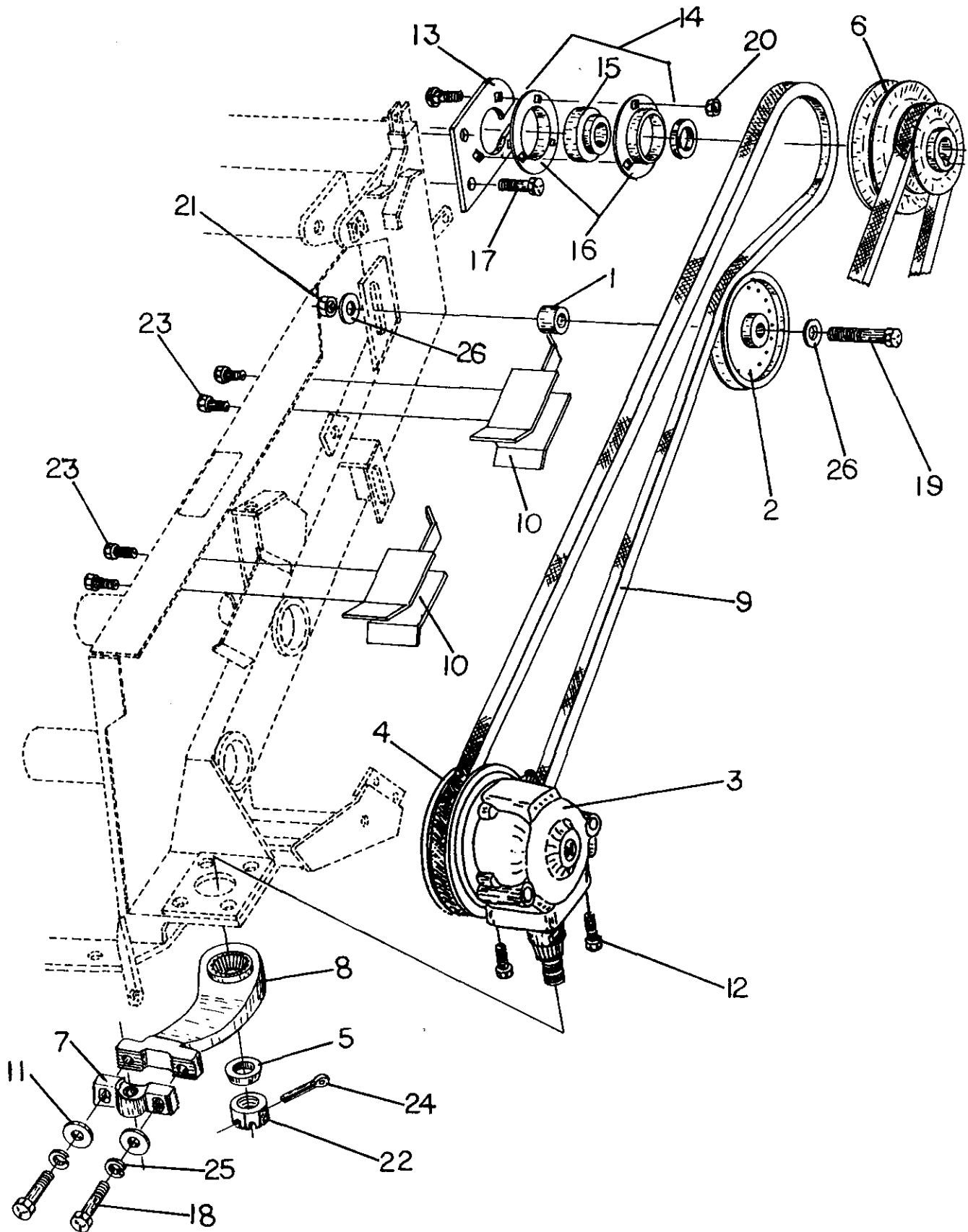
SICKLE DRIVES, RIGHT END



SICKLE DRIVES, RIGHT END

<u>KEY</u>	<u>PART #</u>	<u>DESCRIPTION</u>	<u>QTY</u>
1	A20325	SPACER	3
2	G10417	IDLER PULLEY	1
3	R14400	CASE, KNIFE DRIVE	1
4	R14401	SHEAVE	1
5	R14406	WASHER	1
6	R14414	PULLEY, DOUBLE - 8.75 C & 4.8 B	1
7	R14430	CLAMP	1
8	R14431	ARM	1
9	R14502	V-BELT, C135	1
10	R14580	BELT GUIDE	2
11	R14587	WASHER, 17/32" X 1-1/4" X 0.180	2
12	R14678	BOLT, WOBBLE BOX - WASHER HEAD 2-1/2"	4
13	R14684	MOUNT, BEARING - HEAVY DUTY	1
	R14479	MOUNT, BEARING - PRIOR TO SERIAL NO. G006550	1
14	R14695	BEARING, 1-1/4" HD FLANGETTE - SERIAL NO. G006550 & LATER	1
	R14448	BEARING, 1-1/4" FLANGETTE - PRIOR TO SN G006550	
15	R14696	BEARING, 1-1/4" HD CARTRIDGE ONLY W/ COLLAR SN G006550 & UP	(1)
	R14451	BEARING, CARTRIDGE ONLY - 1-1/4" BORE PRIOR TO SN G006550	
16	R14697	FLANGETTE, 72 MM - HD SERIAL NO. G006550 & LATER	(2)
	D10240	FLANGE, 62 MM - PRIOR TO SERIAL NO. G006550	
17	X2A0500125	CAP SCREW, 1/2-13 UNC X 1-1/4"	2
18	X2A0500150	CAP SCREW, 1/2-13 UNC X 1-1/2"	2
19	X2A0620300	CAP SCREW, 5/8-11 UNC X 3"	1
20	X2C037	NUT, 3/8-16 UNC HEX	3
21	X2C062	NUT, 5/8-11 UNC HEX	2
22	X2C077	SLOTTED NUT, 3/4-10 UNC	1
23	X2K0370078	WHIZ HEAD CAP SCREW, 3/8-16 UNC X 3/4"	4
24	X3A18-200	COTTER PIN, 5 X 50 MM	1
25	X3B050	LOCK WASHER, 1/2"	2
26	X3C062	FLAT WASHER, 5/8	AR

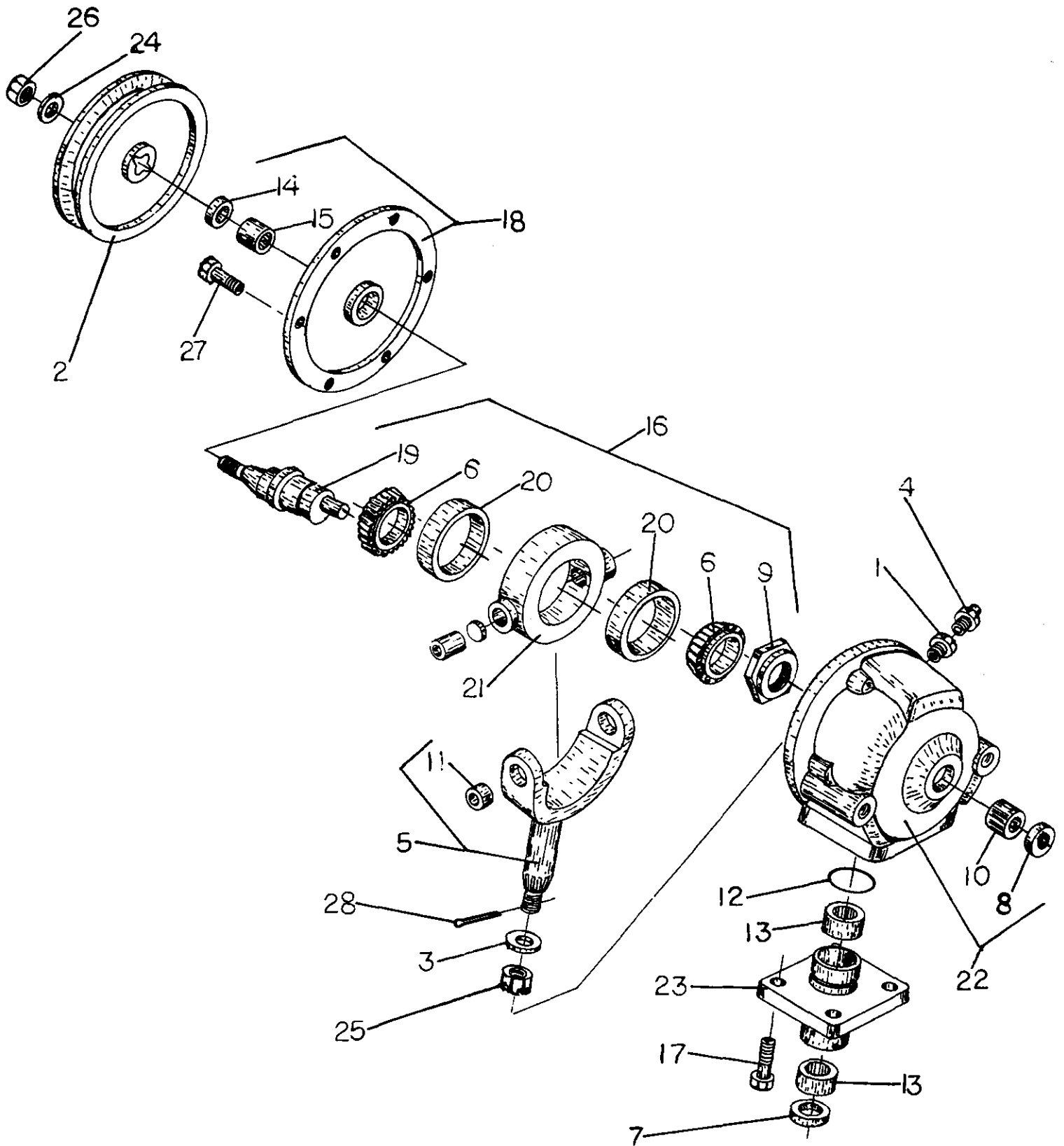
SICKLE DRIVES, LEFT END



SICKLE DRIVES, LEFT END

<u>KEY</u>	<u>PART #</u>	<u>DESCRIPTION</u>	<u>QTY</u>
1	A20325	SPACER	3
2	G10417	IDLER PULLEY	1
3	R14400	CASE, KNIFE DRIVE	1
4	R14401	SHEAVE	1
5	R14406	WASHER	1
6	R14414	PULLEY, DOUBLE - 8.75 C & 4.8 B	1
7	R14430	CLAMP	1
8	R14431	ARM	1
9	R14502	V-BELT, C135	1
10	R14580	BELT GUIDE	2
11	R14587	WASHER, 17/32" X 1-1/4" X 0.180	2
12	R14678	BOLT, WOBBLE BOX - WASHER HEAD 2-1/2"	4
13	R14684	MOUNT, BEARING - HEAVY DUTY	1
	R14479	MOUNT, BEARING - PRIOR TO SERIAL NO. G006550	1
14	R14695	BEARING, 1-1/4" HD FLANGETTE - SN G006550 & LATER	1
	R14448	BEARING, 1-1/4" FLANGETTE - PRIOR TO SN G006550	
15	R14696	BEARING, 1-1/4" HD CARTRIDGE ONLY W/ COLLAR SN G006550 & UP	(1)
	R14451	BEARING, CARTRIDGE ONLY - 1-1/4" PRIOR TO SN G006550	
16	R14697	FLANGETTE, 72 MM - HD SERIAL NO. G006550 & LATER	(2)
	D10240	FLANGE, 62 MM - PRIOR TO SERIAL NO. G006550	
17	X2A0500125	CAP SCREW, 1/2-13 UNC X 1-1/4"	2
18	X2A0500150	CAP SCREW, 1/2-13 UNC X 1-1/2"	2
19	X2A0620300	CAP SCREW, 5/8-11 UNC X 3"	1
20	X2C037	NUT, 3/8-16 UNC HEX	3
21	X2C062	NUT, 5/8-11 UNC HEX	2
22	X2C077	SLOTTED NUT, 3/4-10 UNC	1
23	X2K0370078	WHIZ HEAD CAP SCREW, 3/8-16 UNC X 3/4"	4
24	X3A18-200	COTTER PIN, 5 X 50 MM	1
25	X3B050	LOCK WASHER, 1/2"	2
26	X3C062	FLAT WASHER, 5/8	AR

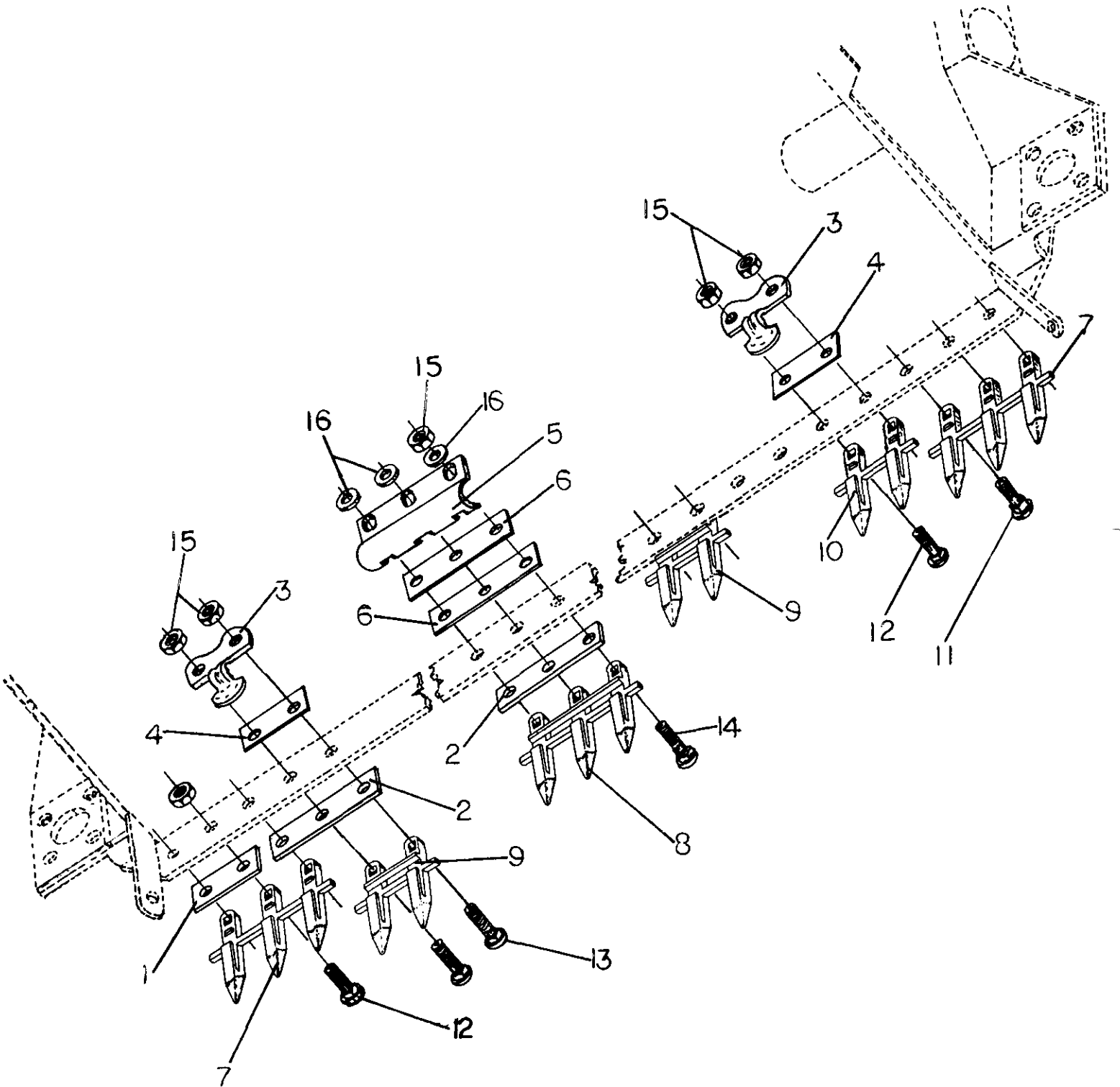
KNIFE DRIVE CASE - R14400



KNIFE DRIVE CASE - R14400

<u>KEY</u>	<u>PART #</u>	<u>DESCRIPTION</u>	<u>QTY</u>
1	FOP0S0SS060200	BUSHING, PIPE - 3/8 X 1/8	1
2	R14401	SHEAVE	1
3	R14406	WASHER	1
4	R14528	RELIEF VALVE	1
5	R14604	YOKE	1
6	R14605	BEARING CONE	(2)
7	R14606	SEAL	(1)
8	R14607	SEAL	1
9	R14608	NUT	(1)
10	R14609	NEEDLE BEARING	1
11	R14610	BUSHING	(2)
12	R14611	O-RING	1
13	R14612	NEEDLE BEARING	(2)
14	R14613	SEAL	(1)
15	R14614	BEARING	(1)
16	R14625	SHAFT ASSEMBLY	1
17	R14678	BOLT, WOBBLE BOX - LONG GD 8, 5/8-18 UNF X 2-1/2"	4
18	R14826	COVER	1
19	R14827	SHAFT	(1)
20	R14828	BEARING CUP	(2)
21	R14829	HOUSING	(1)
22	R14830	HOUSING	1
23	R14831	QUILL	1
24	R14832	WASHER, 25/32" X 1-5/8" X 0.180	1
25	X2C077	NUT, 3/4-10 SLOTTED HEX	1
26	X2E075-NF2	LOCK NUT, 3/4	1
27	X2L0310100	CAP SCREW, 5/16" X 1 SAE FULL THREAD	6
28	X3A18-200	COTTER PIN, 5 X 50MM	1

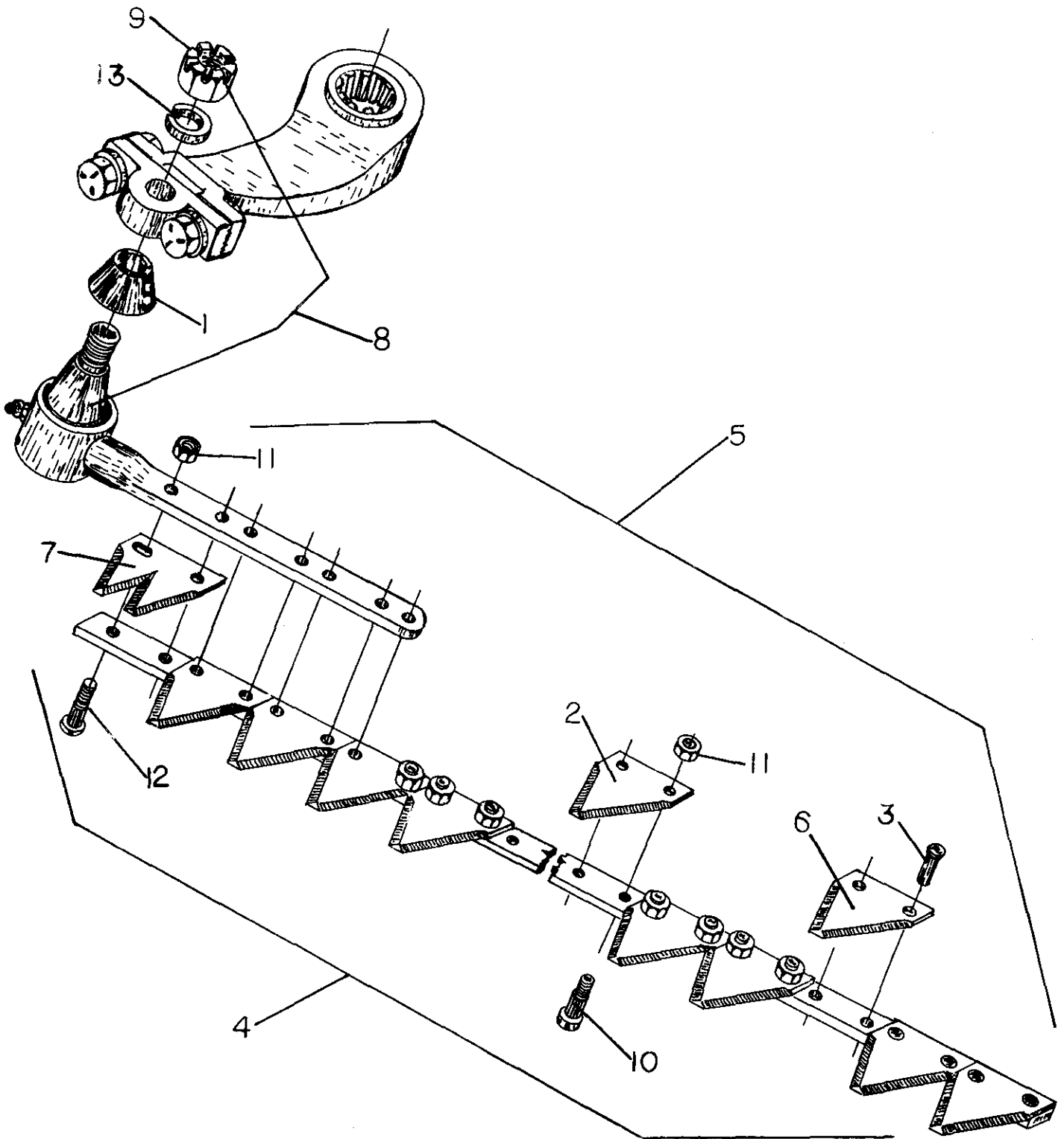
LOVE LB223 GUARD CUTTERBAR ASSEMBLY
DUAL SICKLE DRIVE



**LOVE LB223 GUARD CUTTERBAR ASSEMBLY
DUAL SICKLE DRIVE**

<u>KEY</u>	<u>PART #</u>	<u>DESCRIPTION</u>	<u>QUANTITY</u>		
			<u>12 FT.</u>	<u>13.5 FT.</u>	<u>15 FT.</u>
1	CQ2007	SPACER, 2 HOLES	1	1	1
2	CQ2009	SPACER, 3 HOLES	8	9	10
3	L217	KNIFE CLIP, HEAVY DUTY	11	12	12
4	L221S	SHIM, KNIFE CLIP	AR	AR	AR
5	L619	HOLD DOWN, CENTER	1	1	1
6	L620	SHIM, TRIPLE	5	5	5
7	LB221	GUARD, TRIPLE - DRIVE (W/O WEAR BAR)	2	0	2
8	LB222	GUARD, TRIPLE - DOUBLE SLOT	1	1	1
9	LB223	GUARD, DOUBLE - KNIFEBACK BENEATH SECTION	20	22	26
10	LB226	GUARD, DOUBLE - DRIVE (W/O WEAR BAR)	0	4	0
11	X2B0430125	CARRIAGE, 7/16-14 UNC X 1-1/4	13	14	17
12	X2B0430150	CARRIAGE, 7/16-14 UNC X 1-1/2	21	26	27
13	X2B0430175	CARRIAGE, 7/16-14 UNC X 1-3/4	12	12	14
14	X2B0430225	CARRIAGE, 7/16-14 UNC X 2-1/4	3	3	3
15	X2C044	NUT, 7/16-14 UNC HEAVY HEX	49	55	61
16	X3C043	FLAT WASHER, 7/16"	3	3	3

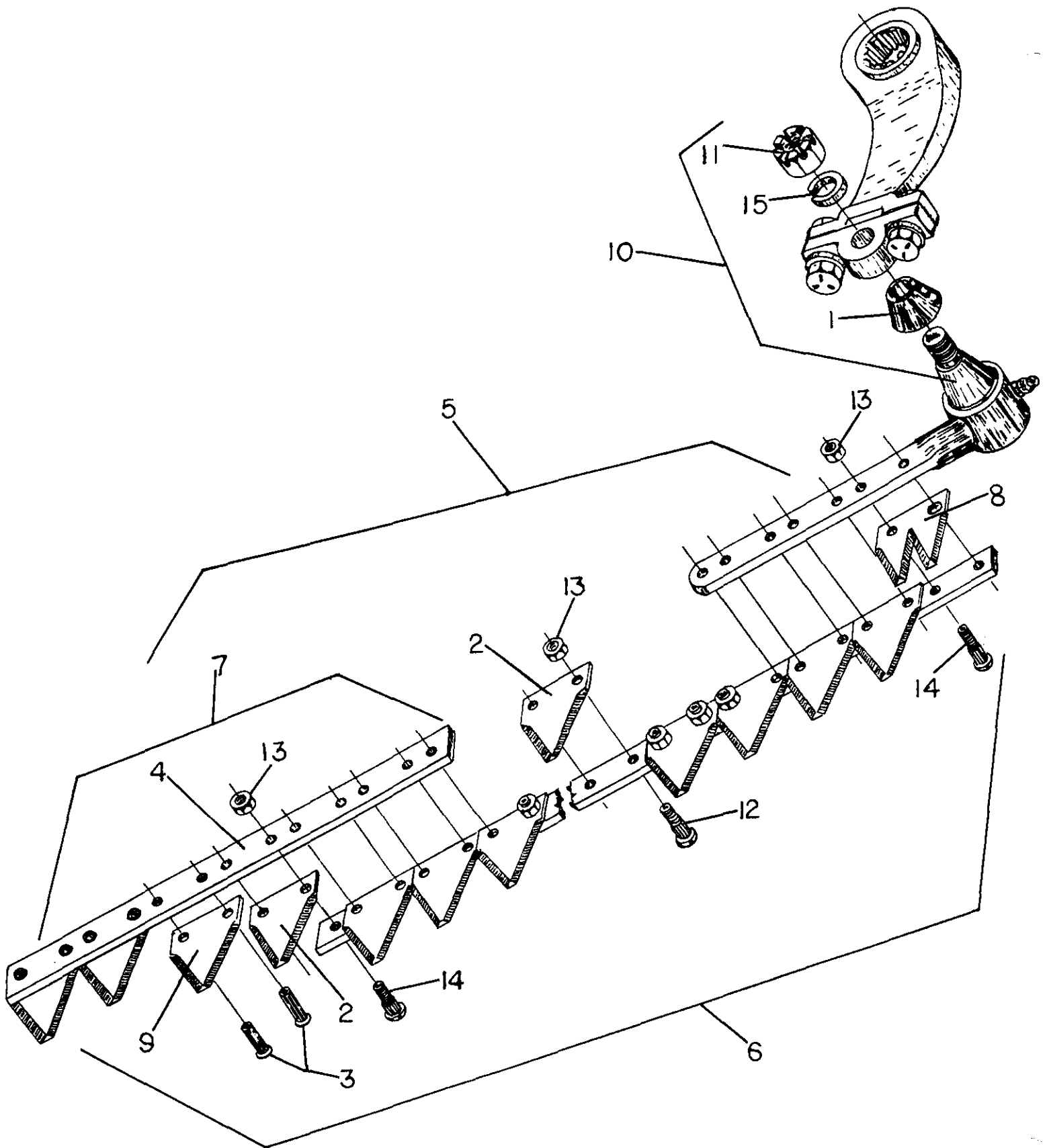
LOVE LB223 GUARD CUTTERBAR ASSEMBLY
DUAL SICKLE DRIVE - RIGHT HAND SICKLE ASSEMBLY



**LOVE LB223 GUARD CUTTERBAR ASSEMBLY
DUAL SICKLE DRIVE - RIGHT HAND SICKLE ASSEMBLY**

<u>KEY</u>	<u>PART #</u>	<u>DESCRIPTION</u>	<u>QUANTITY</u>		
			<u>12 FT.</u>	<u>13.5 FT.</u>	<u>15 FT.</u>
1	CD535R	RUBBER SEAL	(1)	(1)	(1)
2	L197C	SECTION, OVERSERRATED			
3	L325B	RIVET, #5-1/2 X 5/8 FLAT HEAD			
4	L614	SICKLE ASSY, RH - 15 FT W/O DRIVE HD	0	0	1
	L639	SICKLE ASSY, RH - 12 FT W/O DRIVE HEAD	1	0	0
	L657	SICKLE ASSY, RH - 13.5 FT W/O DRIVE HD	0	1	0
5	L615	SICKLE ASSY, RH - 15 FT W/BALL JOINT HD	0	0	1
	L641	SICKLE ASSY, RH - 12 FT W/BALL JT HEAD	1	0	0
	L658	SICKLE ASSY, RH - 13.5 FT W/BALL JT HD	0	1	0
6	R14425	SECTION, OVERSERRATED - TOP CSK			
7	R14426	SECTION, END - RH			
8	R14455	KNIFE HEAD, RH - BALL JOINT TYPE	1	1	1
9	X2L062-SLT	NUT, CD535 BALL JOINT - 5/8-18 UNF SLT			
10	X2NS1	SECTION BOLT, 5/8 (ORDER L428)			
	L428	SECTION BOLT, 5/8 - BOX OF 25			
11	X2NS2	SECTION NUT, 90 DEGREE SELF LOCK (ORDER L429)			
	L429	SECTION NUT, BOX OF 25			
12	X2NS3	DRIVE HEAD BOLT, 1" (ORDER L430)			
	L430	DRIVE HEAD BOLT, BOX OF 25			
13	X3B075	LOCK WASHER, 3/4			

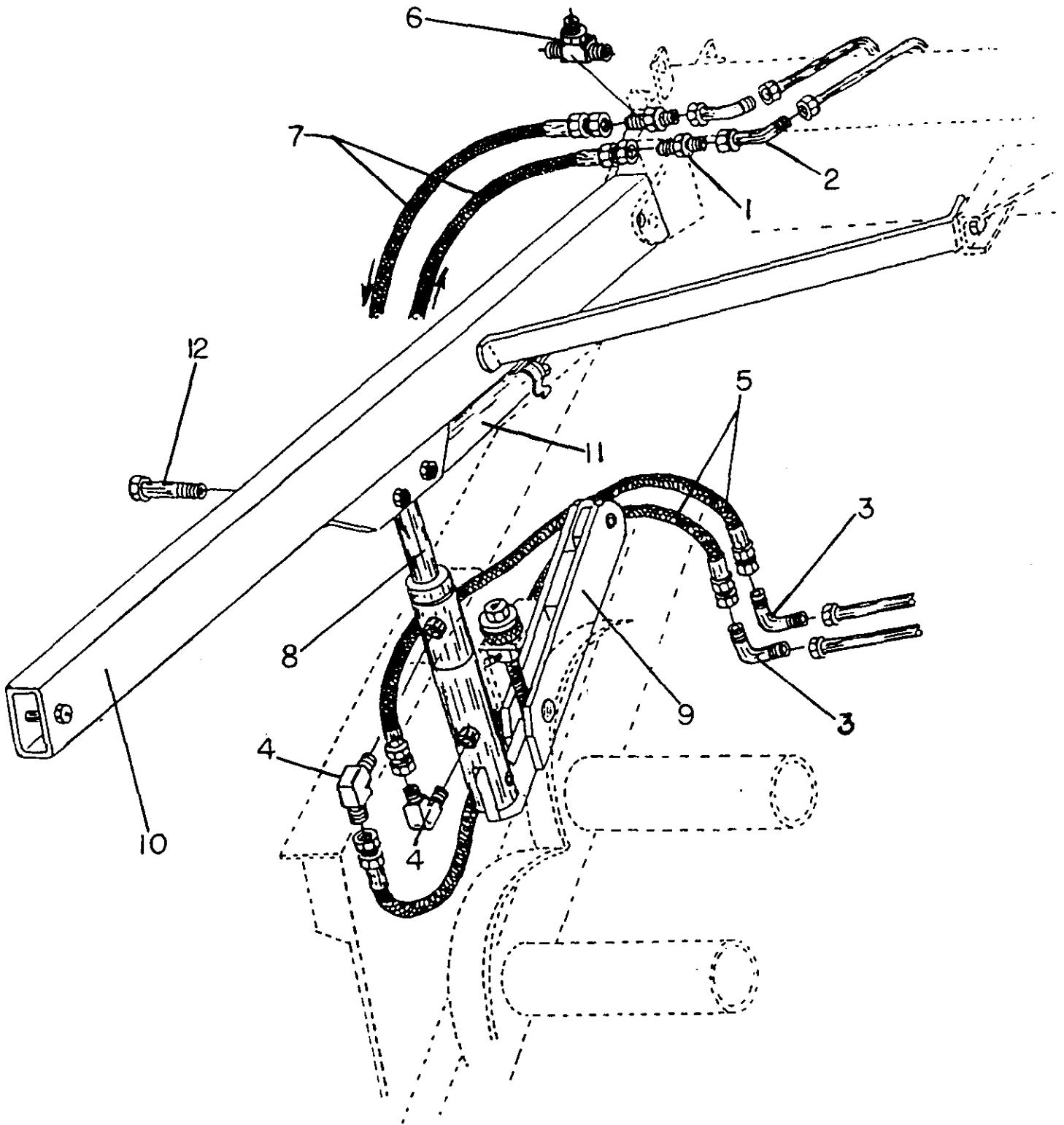
LOVE LB223 GUARD CUTTERBAR ASSEMBLY
DUAL SICKLE DRIVE - LEFT HAND SICKLE ASSEMBLY



**LOVE LB223 GUARD CUTTERBAR ASSEMBLY
DUAL SICKLE DRIVE - LEFT HAND SICKLE ASSEMBLY**

<u>KEY</u>	<u>PART #</u>	<u>DESCRIPTION</u>	<u>QUANTITY</u>		
			<u>12 FT.</u>	<u>13.5 FT.</u>	<u>15 FT.</u>
1	CD535R	RUBBER SEAL	(1)	(1)	(1)
2	L197C	SECTION, OVERSERRATED			
3	L325B	RIVET, #5-1/2 X 5/8 FLAT HEAD			
4	L609	STRAP, SICKLE EXTENSION - LB223 GUARDS			
5	L610	SICKLE ASSY, LH - 15 FT W/BALL JOINT HD	0	0	1
	L640	SICKLE ASSY, LH - 12 FT W/BALL JT HEAD	1	0	0
	L655	SICKLE ASSY, LH - 13.5 FT W/BALL JT HD	0	1	0
6	L611	SICKLE ASSY, LH - 15 FT W/O DRIVE HD	0	0	1
	L638	SICKLE ASSY, LH - 12 FT W/O DRIVE HEAD	1	0	0
	L654	SICKLE ASSY, LH - 13.5 FT W/O DRIVE HD	0	1	0
7	L618	EXTENSION, SICKLE ASSY - LB223 GUARDS			
8	R14427	SECTION, END - LH			
9	R14429	SECTION, OVERSERRATED - BOTTOM CSK			
10	R14454	KNIFE HEAD, LH - BALL JOINT TYPE	1	1	1
11	X2L062-SLT	NUT, CD535 BALL JOINT - 5/8-18 UNF SLT			
12	X2NS1	SECTION BOLT, 5/8 (ORDER L428)			
	L428	SECTION BOLT, 5/8 - BOX OF 25			
13	X2NS2	SECTION NUT, 90 DEGREE SELF LOCK (ORDER L429)			
	L429	SECTION NUT, BOX OF 25			
14	X2NS3	DRIVE HEAD BOLT, 1" (ORDER L430)			
	L430	DRIVE HEAD BOLT, BOX OF 25			
15	X3B075	LOCK WASHER, 3/4			

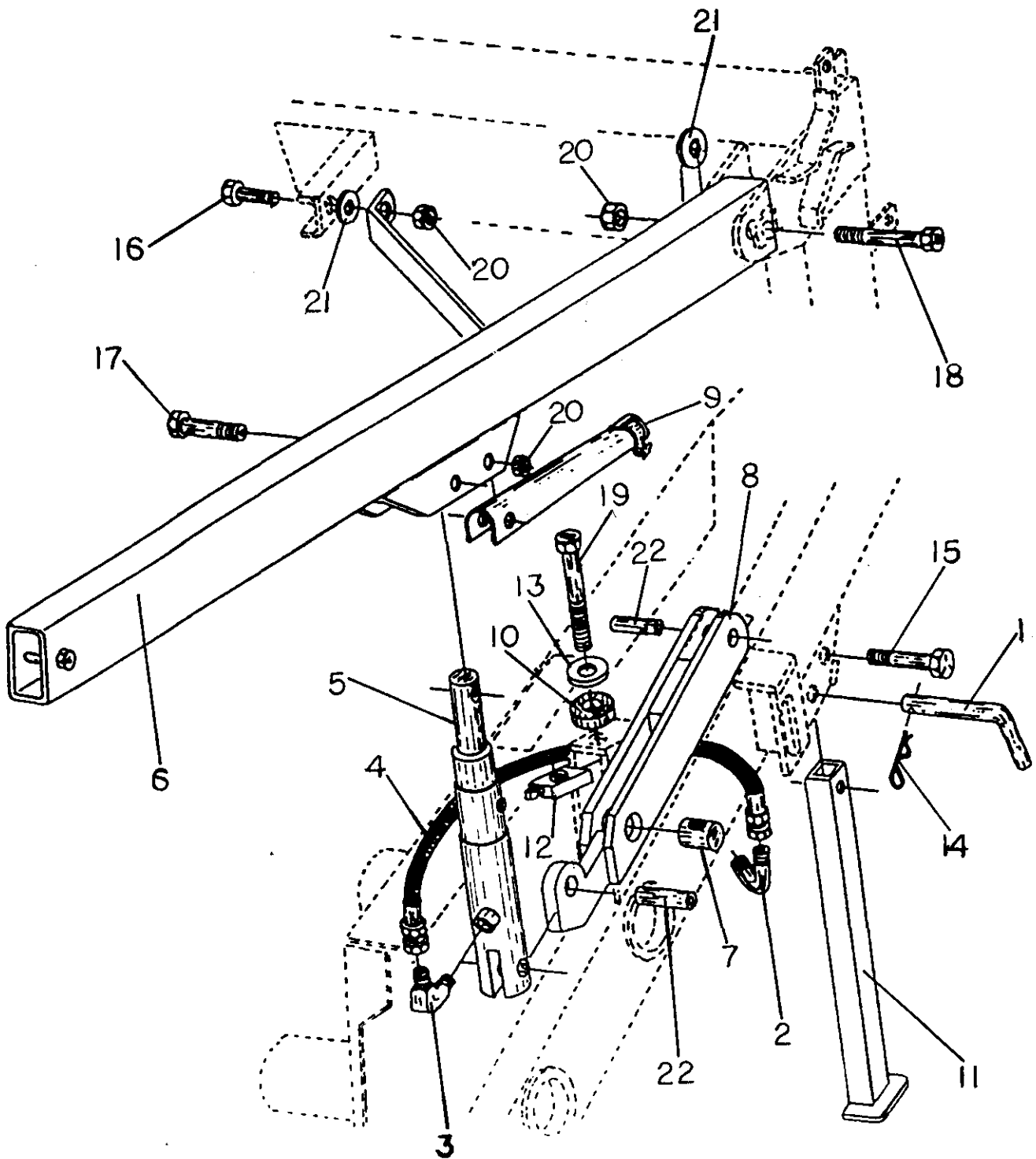
REEL ARM AND HYDRAULIC LIFT CYLINDER - RIGHT END



REEL ARM AND HYDRAULIC LIFT CYLINDER - RIGHT END

<u>KEY</u>	<u>PART #</u>	<u>DESCRIPTION</u>	<u>QTY</u>
1	F1629	TUBE UNION, 1/2"	1
2	F1637	SWIVEL NUT, 45 DEGREE ELBOW, 1/2"	2
3	FJJ0E9SS060600	UNION ELBOW, #6 MJIC	2
4	FBJ0E9SS060600	STRAIGHT THREAD O-RING ELBOW, #6 MORB X #6 MJIC	1
5	F4513	HOSE ASSEMBLY, 1/4" X 24"	1
6	F4556	TEE, GAUGE MOUNT ASSEMBLY	1
7	F10168	HOSE ASSEMBLY (SEE DA8530 KIT)	(2)
8	R14433	CYLINDER, MASTER	1
9	R14447	ARM, REEL VERNIER	1
10	R14527	ARM, REEL CARRIER - RH	1
11	R14533	STAND, REEL SUPPORT - RH	1
NS	R148XX	CATCH, REEL SUPPORT	1
12	X2A0500250	CAP SCREW, 1/2-13 UNC X 2-1/2"	2

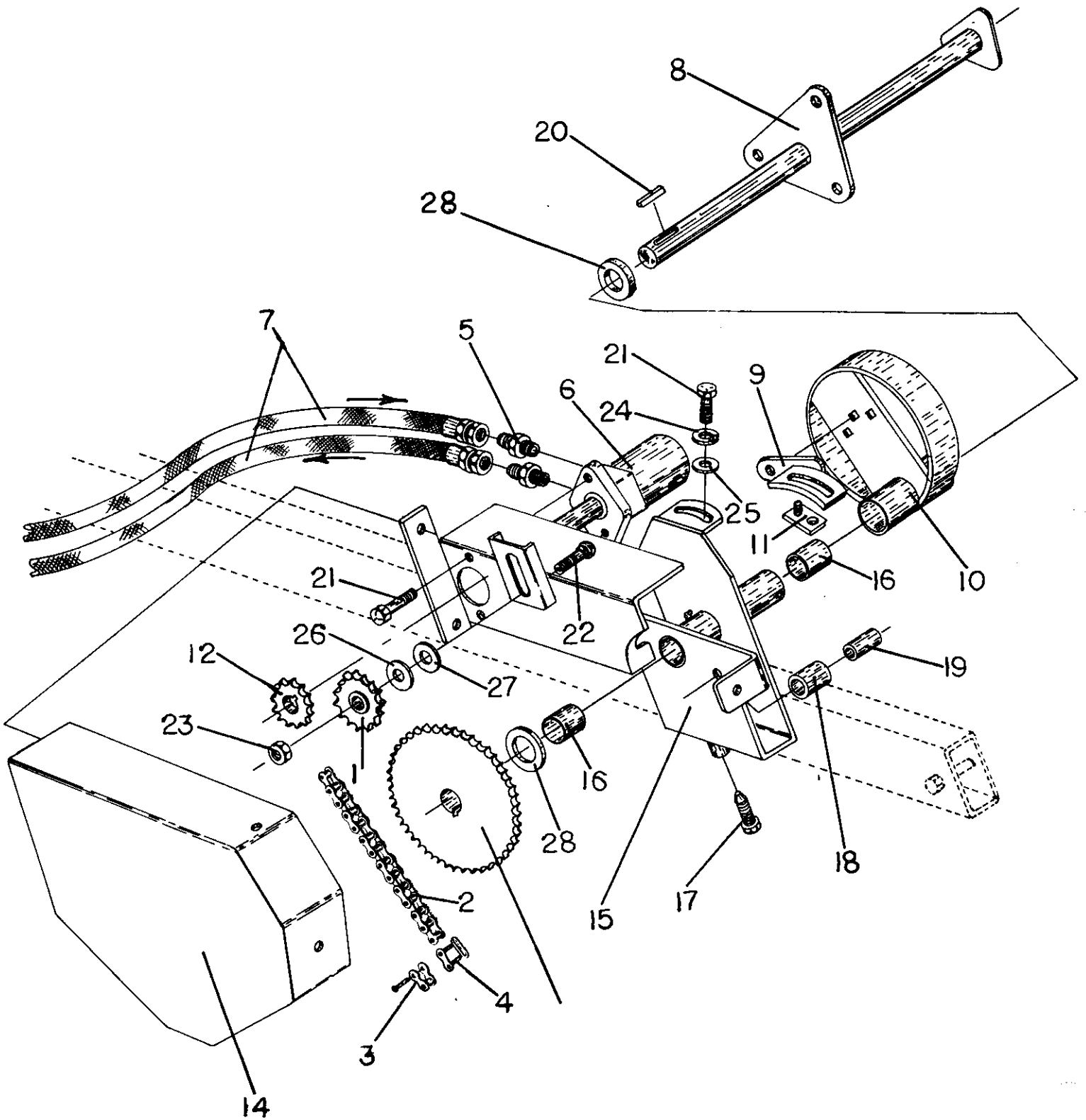
REEL ARM, HYDRAULIC LIFT CYLINDER, AND SAFETY STANDS - LEFT END



REEL ARM, HYDRAULIC LIFT CYLINDER, AND SAFETY STANDS - LEFT END

<u>KEY</u>	<u>PART #</u>	<u>DESCRIPTION</u>	<u>QTY</u>
1	D10139	PIN	1
2	FJJ0E9SS060600	UNION ELBOW, #6 MJIC	1
3	FBJ0E9SS060600	STRAIGHT THREAD O-RING ELBOW, #6 MORB X #6 MJIC	1
4	F4513	HOSE ASSEMBLY, 1/4" X 24"	2
5	R14432	CYLINDER, SLAVE	1
6	R14444	ARM, REEL CARRIER - LH	1
7	R14445	JOURNAL, REEL VERNIER	1
8	R14447	ARM, REEL VERNIER	1
9	R14462	STAND, REEL SUPPORT - LH	1
10	R14488	WASHER, RUBBER	1
11	R14511	STAND	1
12	R14525	LOCK, REEL VERNIER	1
13	R14559	WASHER, REEL VERNIER BACKUP	1
NS	R148XX	CATCH, REEL SUPPORT	1
14	S11004	KEEPER, SPRING	1
15	X2A0430225	CAP SCREW, 7/16-14 UNC X 2-1/4"	1
16	X2A0500125	CAP SCREW, 1/2-13 UNC X 1-1/4"	1
17	X2A0500250	CAP SCREW, 1/2-13 UNC X 2-1/2"	2
18	X2A0500300	CAP SCREW, 1/2-13 UNC X 3"	2
19	X2A0620701	CAP SCREW, 5/8-11 UNC X 7 FULL THREAD	1
20	X2E050-NF2	LOCK NUT, 1/2-13 UNC	4
21	X3C050	FLAT WASHER, 1/2	5
22	X3G500-200	SPRING PIN, 1/2 X 2"	2

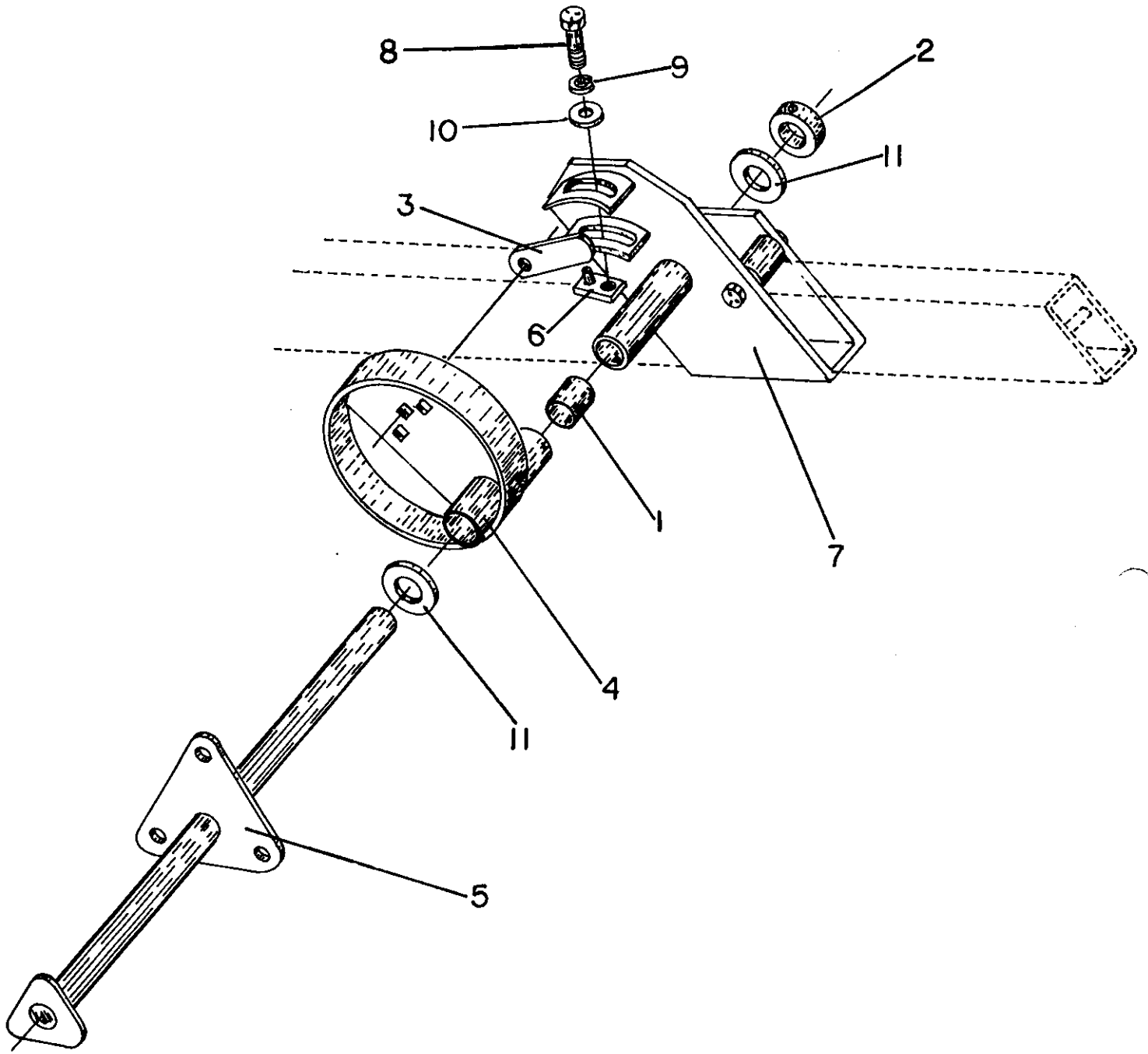
REEL DRIVE AND ATTACHING PARTS - RIGHT END
DA8530



**REEL DRIVE AND ATTACHING PARTS - RIGHT END
DA8530**

<u>KEY</u>	<u>PART #</u>	<u>DESCRIPTION</u>	<u>QTY</u>
1	A1506	IDLER SPROCKET, 50 - 15 TOOTH	1
2	A20473	CHAIN, ROLLER - RC50 BULK	54
3	B1815	OFFSET LINK, RC50	1
4	B1816	CONNECTOR LINK, RC50	1
5	FBJOSS100800	STRAIGHT THREAD CONNECTOR, 1/2 X #10	2
6	F4501	HYDRAULIC MOTOR	1
7	F10168	HOSE ASSEMBLY, 1/2" X 48" O.A.L.	2
8	H487	SHAFT, DRIVE - SWATHER	1
9	H490	ARM, PITCH CONTROL - RH	1
10	H491	ECCENTRIC	1
11	HH459	LOCK BLOCK	1
12	R14419	SPROCKET, DRIVE - 13 TOOTH	1
13	R14420	SPROCKET, DRIVE - 60 TOOTH	1
14	R14443	SHIELD, REEL DRIVE CHAIN	1
15	R14517	SUPPORT ASSEMBLY, RH	1
	R14417	BRACKET, CARRIER ARM - RH	(1)
	D65	DECAL, 10 HOUR GREASE	(1)
16	H272	BEARING, BRONZE	(2)
17	H273	LOCK, REEL MOUNT SCREW	(1)
18	HH470	ROLLER, REEL SUPPORT	(2)
19	HH471	SPACER, REEL SUPPORT	(2)
20	R14554	KEY, 3/8 X 1-1/2 ROUND END SQUARE	1
21	X2A0500150	CAP SCREW, 1/2-13 UNC X 1-1/2"	1
22	X2B0620200	CARRIAGE, 5/8-11 UNC X 2"	1
23	X2E062-NF2	SIDE LOCK NUT, 5/8-11 UNC	1
24	X3B050	LOCK WASHER, 1/2	1
25	X3C050	FLAT WASHER, 1/2	1
26	X3C062	FLAT WASHER, 5/8	2
27	X3C075	FLAT WASHER, 3/4	1
28	X3D237016-2	MACHINERY BUSHING, 2.38 X 1.63 X #14 GA	2

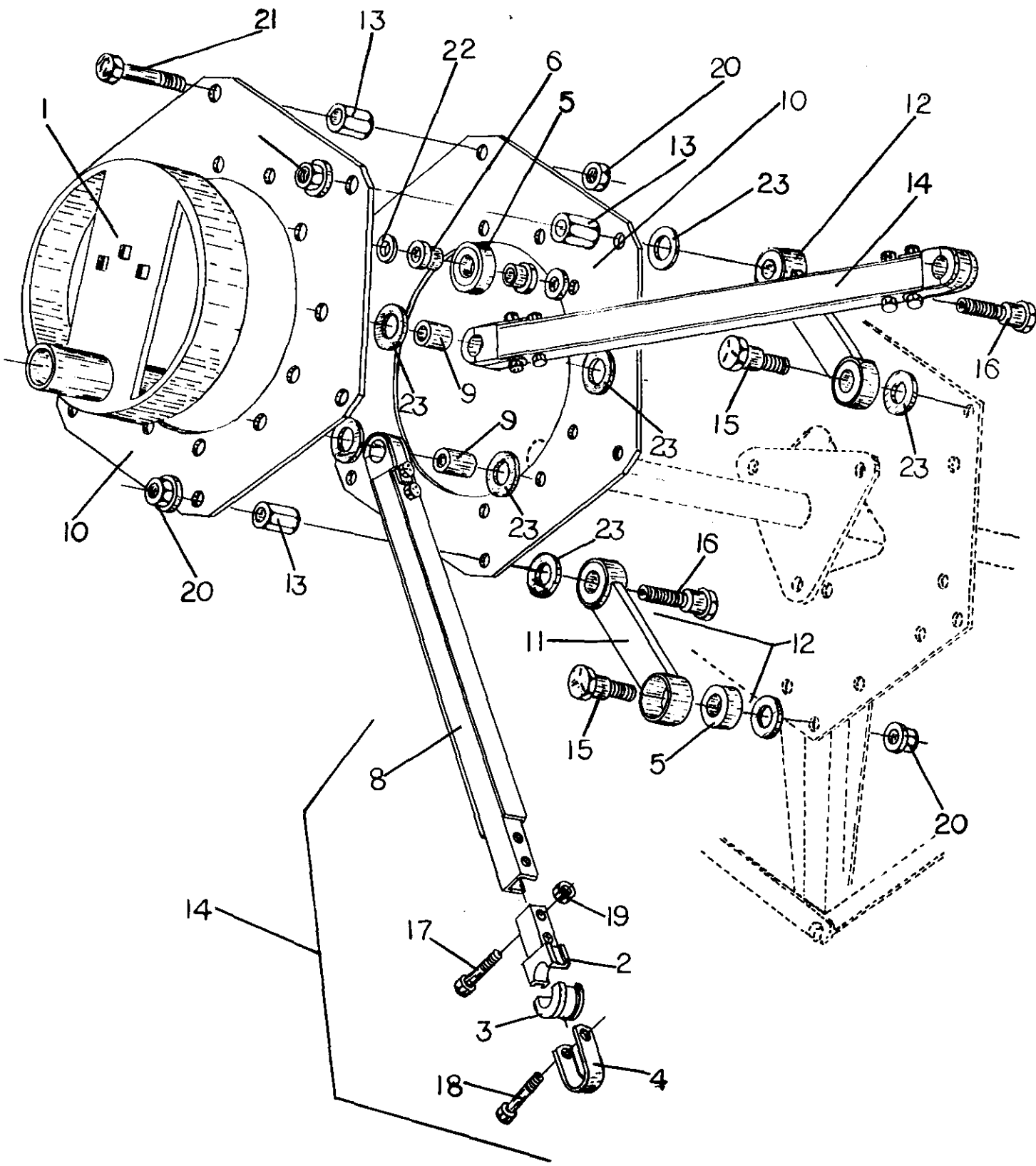
REEL DRIVE AND ATTACHING PARTS - LEFT END
DA8530



**REEL DRIVE AND ATTACHING PARTS - LEFT END
DA8530**

<u>KEY</u>	<u>PART #</u>	<u>DESCRIPTION</u>	<u>QTY</u>
1	H272	BEARING, BRONZE	(2)
2	H3399	SET COLLAR, 1-9/16"	1
3	H489	ARM, PITCH CONTROL - LH	1
4	H491	ECCENTRIC	1
5	HH446	SHAFT, ECCENTRIC - 8" CENTER TUBE	1
6	HH459	LOCK BLOCK	1
7	R14518	SUPPORT ASSEMBLY, LH	1
	D65	DECAL, 10 HOUR GREASE	(1)
	R14418	BRACKET, CARRIER ARM, LH	(1)
8	X2A0500150	CAP SCREW, 1/2-13 UNC X 1-1/2"	1
9	X3B050	LOCK WASHER, 1/2	1
10	X3C050	FLAT WASHER, 1/2	1
11	X3D237016-2	MACHINERY BUSHING, 2.38 X 1.63 X #14 GA	2

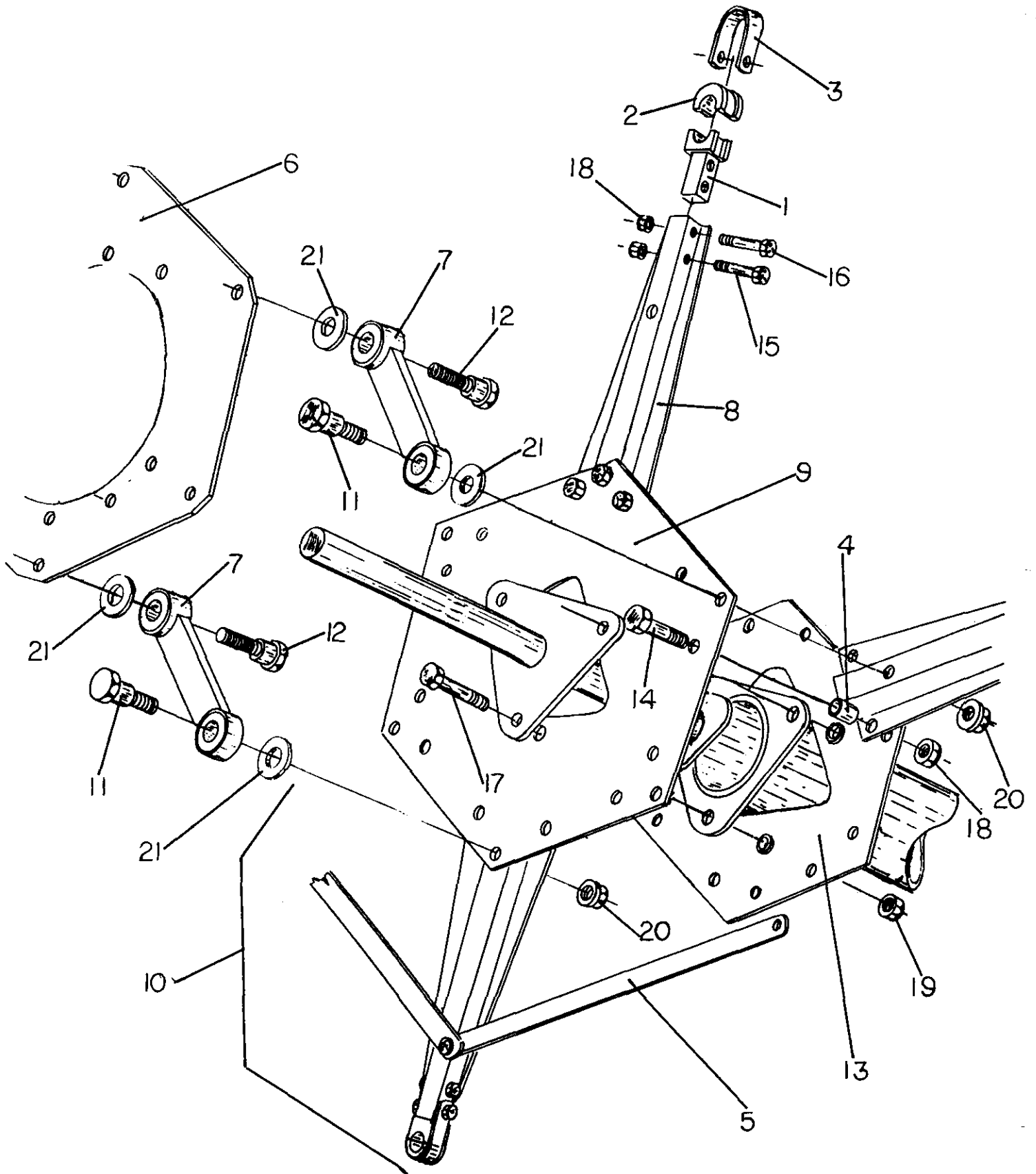
REEL ECCENTRIC PARTS
H9400



**REEL ECCENTRIC PARTS
H9400**

<u>KEY</u>	<u>PART #</u>	<u>DESCRIPTION</u>	<u>QTY</u>	
			PER REEL	PER H9400
1	H491	ECCENTRIC	2	
2	H7001	BEARING, BASE		12
3	H7002	BEARING, CAP		12
4	H7003	U-CLIP		12
5	H7022	BEARING		6
6	H7023	SPACER		12
7	H9400	ASSEMBLY, ECCENTRIC SPIDER	2	
8	H9401	ARM, ECCENTRIC SPIDER		6
9	H9403	JOURNAL		6
10	H9404	RING, ECCENTRIC SPIDER		2
11	H9405	LINK, CONTROL	(3)	
12	H9412	ASSEMBLY, CONTROL LINK	3	
13	H9417	SPACER		3
14	H9419	ARM, ECCENTRIC SPIDER - ASSEMBLY	6	
15	H9420	BUSHING, W/STUD - SHORT		3
16	H9421	BUSHING, W/STUD - LONG	3	
17	X2A0310150	CAP SCREW, 5/16-18 UNC X 1-1/2		12
18	X2A0310175	CAP SCREW, 5/16-18 UNC X 1-3/4		12
19	X2E031-NF2	HEX NUT, 5/16-18 UNC CENTER LOCK		24
20	X2E050-SF3	WHIZ LOCK NUT, 1/2-13 UNC	3	6
21	X2K0500200	WHIZ LOCK CAP SCREW, 1/2-13 UNC X 2		3
22	X3C037	FLAT WASHER, 3/8		12
23	X3D13787-1	MACHINERY BUSHING, 1.38 X 0.88 X #18 GA		12

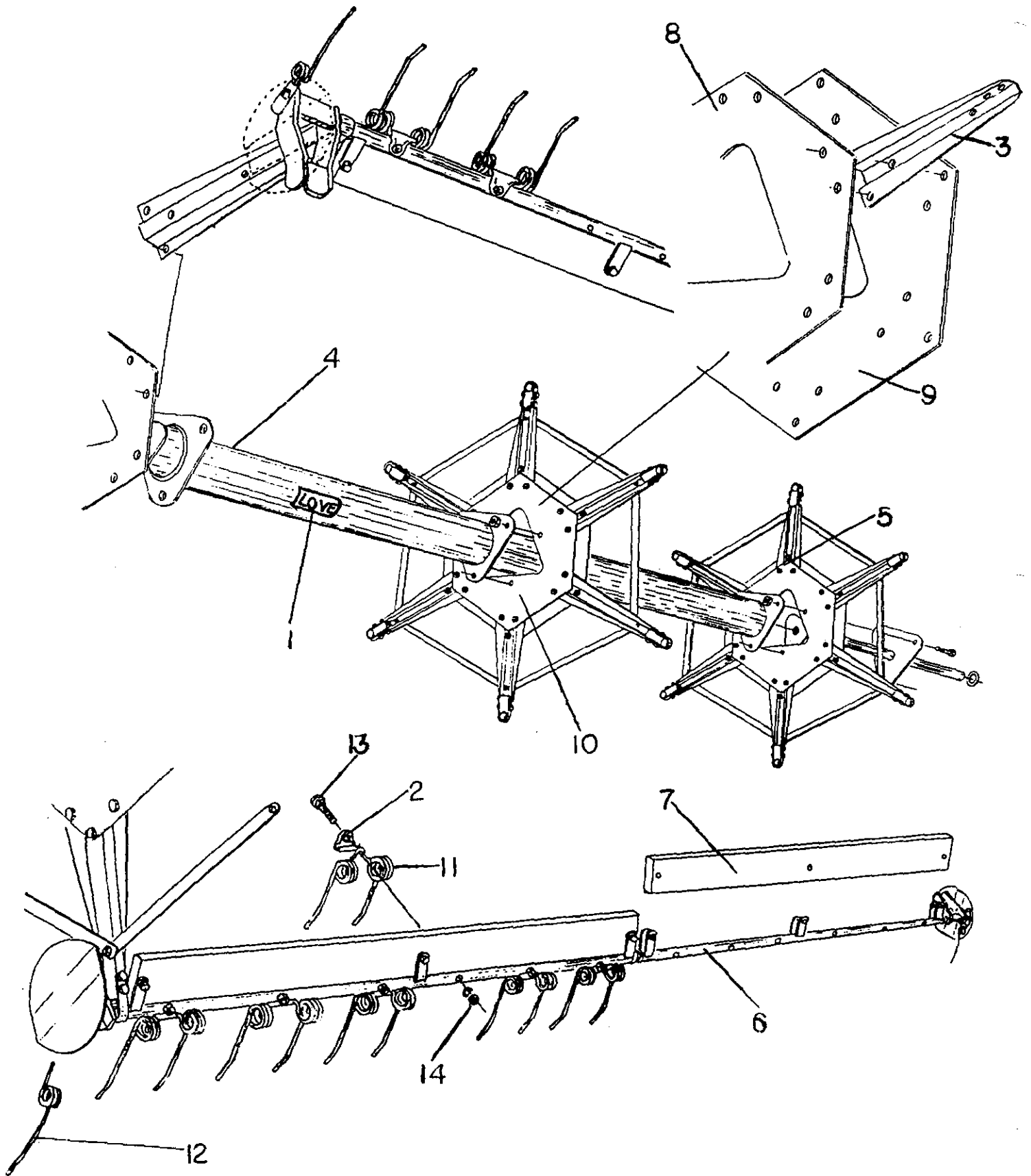
OUTSIDE SPIDER ASSEMBLY PARTS
H9418



**OUTSIDE SPIDER ASSEMBLY PARTS
H9418**

<u>KEY</u>	<u>PART #</u>	<u>DESCRIPTION</u>	<u>QTY</u>	
			PER REEL	PER H9418
1	H7001	BEARING, BASE		12
2	H7002	BEARING, CAP		12
3	H7003	U-CLIP		12
4	H7027	SPACER		12
5	H7054	BRACE, REEL ARM	6	6
6	H9404	RING, ECCENTRIC SPIDER		2
7	H9412	ASSEMBLY, CONTROL LINK	3	
8	H9415	ARM, REEL - 41" NON-WRAP		6
9	H9416	SPIDER, LARGE - NON-WRAP		6
10	H9418	OUTSIDE SPIDER ASSEMBLY	2	
11	H9420	BUSHING, W/STUD - SHORT		3
12	H9421	BUSHING, W/STUD - LONG	3	
13	H60106	SPIDER PLATE, 6 BAT SMALL		1
14	X2A0310150	CAP SCREW, 5/16-18 UNC X 1-3/8"		12
15	X2A0310150	CAP SCREW, 5/16-18 UNC X 1-1/2"		6
16	X2A0310175	CAP SCREW, 5/16-18 UNC X 1-3/4"		12
17	X2A0430175	CAP SCREW, 7/16-14 UNC X 1-3/4"	6	
18	X2E031-NF2	HEX NUT, 5/16-18 UNC CENTER LOCK		30
19	X2E043-NF2	HEX NUT, 7/16-14 UNC CENTER LOCK	6	
20	X2E050-SF3	WHIZ LOCK NUT, 1/2-13 UNC	3	3
21	X3D13787-1	MACHINERY BUSHING, 1.38 X 0.88 X #18 GA	3	3

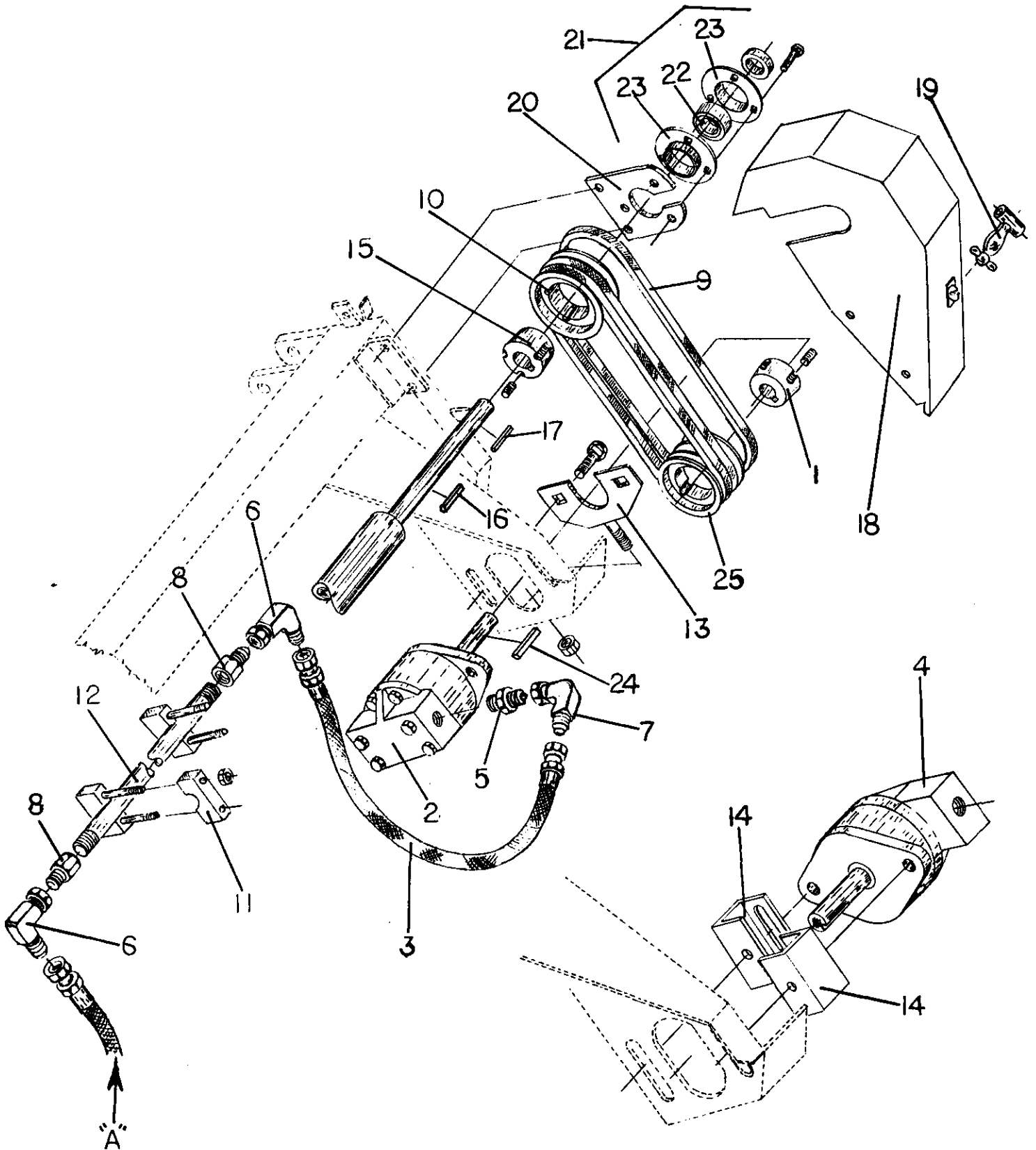
NON-WRAP PICKUP REEL PARTS



NON-WRAP PICKUP REEL PARTS

KEY #	PART #	DESCRIPTION	QUANTITY		
			12 FT	13.5 FT	15 FT
1	D 1	DECAL, LOVE - LARGE	1	1	1
	D28-3	DECAL, REEL MANUFACTURING NUMBER			
	D32	DECAL, SERIAL NUMBER			
2	H35	TINE CLIP, HH TINE	84	120	108
3	H7041	ARM, SPIDER	6	6	6
4	H7136	CENTER TUBE - 12 FT	1	0	0
	H7154	CENTER TUBE - 13.5 FT	0	1	0
	H7173	CENTER TUBE - 15 FT	0	0	1
5	H9418	SPIDER ASSEMBLY, OUTSIDE	2	2	2
6	H30137	BATSHAFT, 12 FT CLOSE TINE SPACING	6	0	0
	H30155	BATSHAFT, 13.5 FT CLOSE TINE SPACING	0	6	0
	H30174	BATSHAFT, 15 FT CLOSE TINE SPACING	0	0	6
7	H52048	BAT, 48" - 15 FT	0	0	6
	H52057	BAT, 57" - 15 FT	0	0	12
	H52063-3/4	BAT, 63-3/4" - 12 FT	12	0	0
	H52072-3/4	BAT, 72-3/4" - 13.5 FT	0	12	0
8	H60106	PLATE, SMALL SPIDER	(1)	(1)	(1)
9	H60116	PLATE, LARGE SPIDER	(1)	(1)	(1)
10	H60176	SPIDER ASSEMBLY, CENTER	1	1	2
11	HH	TINE, HEAVY DUTY DOUBLE	120	132	108
12	HR	TINE, OUTBOARD FINGER - HH REELS	12	12	12
13	X2B0370200	CARRIAGE, 3/8-16 UNC X 2"	120	132	108
14	X2E037-NF1	LOCK NUT, 3/8-16 UNC UNITORQUE	120	132	108

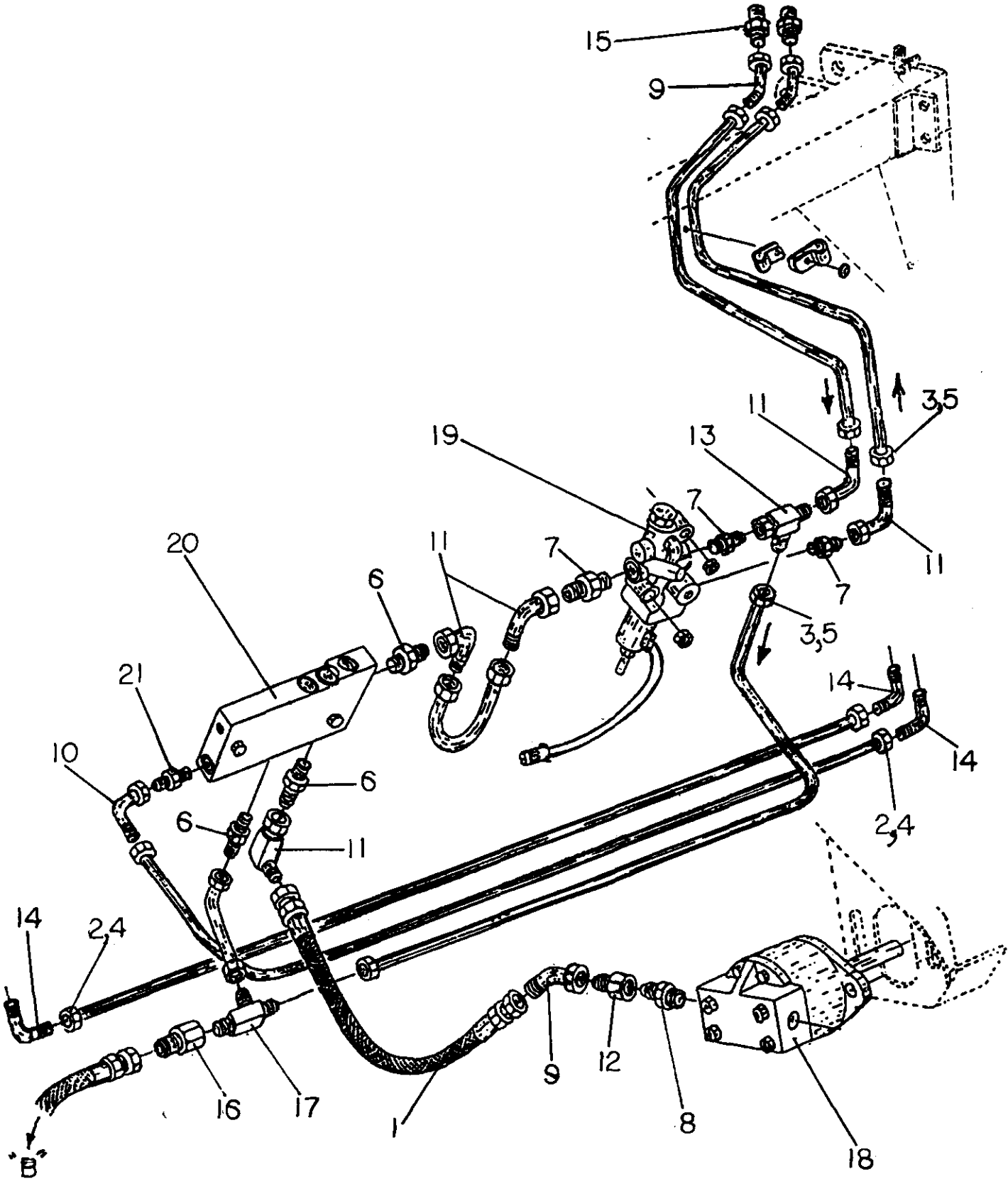
HEADER HYDRAULIC CIRCUIT PARTS PUMP AND DRIVES



**HEADER HYDRAULIC CIRCUIT PARTS
PUMP AND DRIVES**

<u>KEY #</u>	<u>PART #</u>	<u>DESCRIPTION</u>	<u>QTY</u>
1	B1522	BUSHING, 1" BORE X 1/4 KEY WAY	1
2	F 4503	PUMP, HYDRAULIC - GEAR STD (2.24 CU IN COUNTER CLOCKWISE)	1
3	F 4515	HOSE ASSEMBLY, 3/4" X 24"	1
4	F 4539	PUMP, HYDRAULIC - GEAR 12 FT (2.24 CU IN CLOCKWISE)	
5	FBJ0S0SS201600	STRAIGHT THREAD O-RING CONNECTOR, 1" MJIC X #20 MORB	1
6	FHJ0E9SS121200	SWIVEL NUT 90 DEGREE ELBOW, 3/4"	2
7	FHJ0E9SS161600	SWIVEL NUT 90 DEGREE ELBOW, 1"	1
8	FOJ0S0SS121200	FEMALE CONNECTOR, 3/4"	2
9	G10090	V-BELT, 475 LENGTH (STANDARD AFTER SN G006393)	3
	G10089	V-BELT, 500 LENGTH (ALTERNATE, SEE SPECIFIC MODEL)	
	G10186	V-BELT, 450 LENGTH (ALTERNATE, SEE SPECIFIC MODEL)	
10	R14468	SHEAVE, 3/3V5.00 (TOP SHEAVE, R14468 IS STANDARD)	1
11	R14542	CLAMP, PIPE - 2 PIECES	2
12	R14543	PIPE, 3/4" X 13" - 13.5 FT	1
	R14503	PIPE, 3/4" X 22" - 15 FT	1
13	R14634	TAKEUP, PUMP BELTS - SERIAL NO G006393 & LATER	1
14	R14635	SPACER, 12 FT IHC 5000 - PUMP	2
15	R14657	BUSHING, 1-1/2" BORE - SERIAL NO. G006393 & LATER	1
	R14469	BUSHING, 1-1/4" BORE X 1/4 KEY - PRIOR TO G006393	
16	R14663	KEY, 3/8 SQ X 3" - SERIAL NO. G006393 & LATER	1
	R14288	KEY, 14" X 2-3/4" SQUARE - PRIOR TO SN G006393	
17	R14664	KEY, 1/4 SQ X 3" - SERIAL NO. G006393 & LATER	1
	R14288	KEY, 14" X 2-3/4" SQUARE - PRIOR TO SN G006393	
18	R14667	SHIELD, PUMP DRIVE - SERIAL NO. G006393 & LATER	1
	R14562	SHIELD, PUMP DRIVE - BACK PRIOR TO SERIAL G006393	
	R14563	SHIELD, PUMP DRIVE - BOTTOM PRIOR TO G006393	
19	R14675	LATCH, SHIELD - RUBBER	1
20	R14684	MOUNT, BEARING - HEAVY DUTY	1
21	R14695	BEARING, 1-1/4" HD FLANGETTE (COMPLETE ASSY)	1
22	R14696	BEARING, 1-1/4" HD CARTRIDGE W/ COLLAR	(1)
23	R14697	FLANGETTE, 72 MM	(2)
24	T10564	KEY, 1/4" SQUARE X 1" (INCLUDED WITH PUMP)	1
25		BOTTOM SHEAVE, SEE SPECIFIC MODEL KIT	1
	R14468	SHEAVE, 3/3V5.00	
	R14598	SHEAVE, 3/3V4.12	
"A"		HOSE ASSEMBLY, INPUT - SEE SPECIFIC MODEL	1

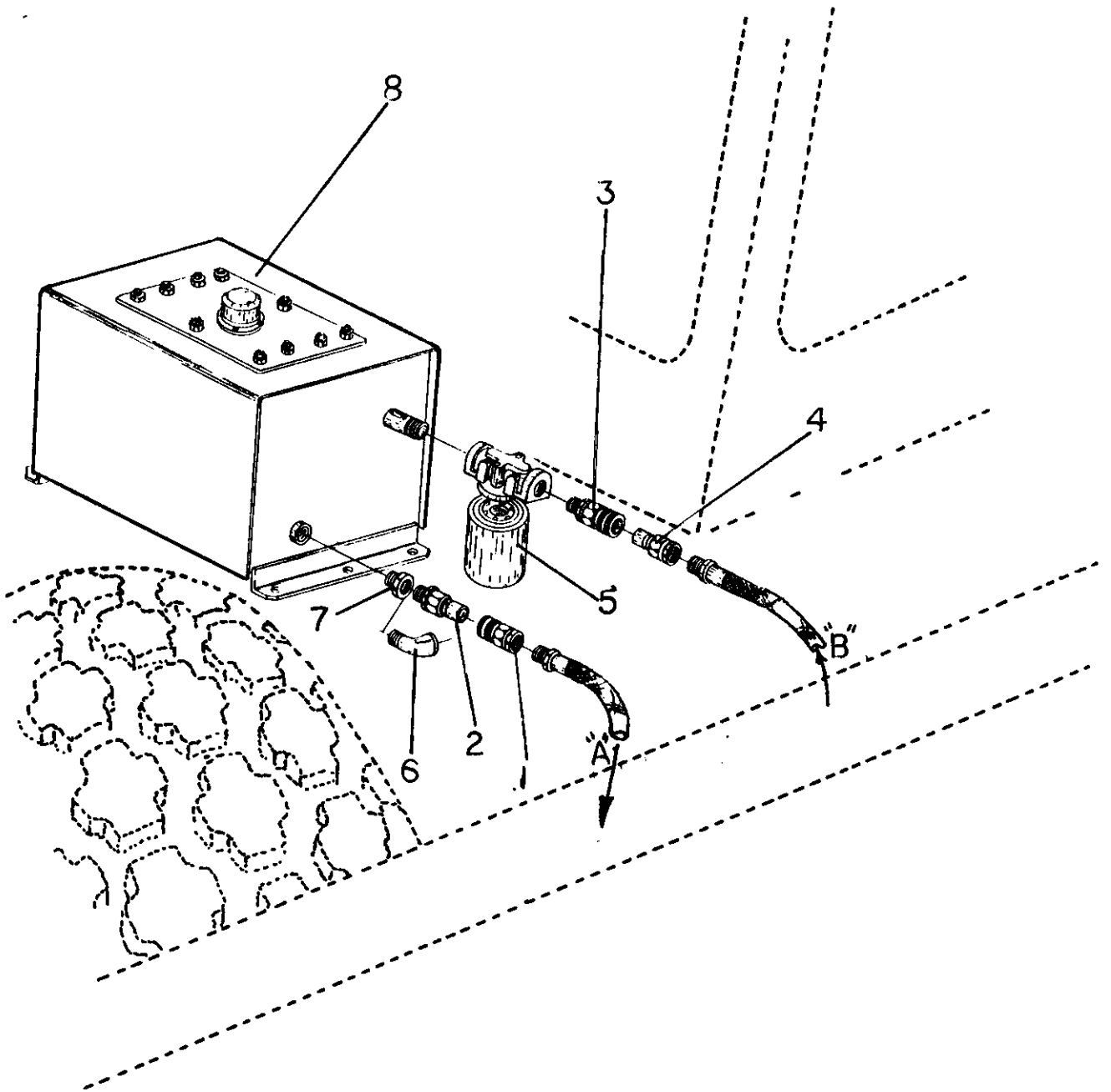
HEADER HYDRAULIC CIRCUIT PARTS



HEADER HYDRAULIC CIRCUIT PARTS

<u>KEY #</u>	<u>PART #</u>	<u>DESCRIPTION</u>	<u>QTY</u>
1	B5316	HOSE ASSEMBLY, 1/2" X 22"	1
2	F106	TUBE SLEEVE, 3/8"	AR
3	F108	TUBE SLEEVE, 1/2"	AR
4	F206	TUBE NUT, 3/8"	AR
5	F208	TUBE NUT, 1/2"	AR
6	FBJ0S0SS080800	STR THREAD O-RING CONNECTOR, #8 MORB X #8 MJIC	3
7	FBJ0S0SS100800	STR THREAD O-RING CONNECTOR, #10 MORB X #8 MJIC	3
8	FBJ0S0SS161200	STR THREAD O-RING CONNECTOR, 1" MORB X #12 MJIC	3
9	FHJ0E4SS080800	SWIVEL NUT 45 DEGREE ELBOW, 1/2"	3
10	FHJ0E9SS060600	SWIVEL NUT 90 DEGREE ELBOW, 3/8"	1
11	FHJ0E9SS080800	SWIVEL NUT 90 DEGREE ELBOW, 1/2"	5
12	FHJ0S0SS120800	REDUCER, 3/4" TO 1/2"	1
13	FHJ0T0SS080808	SWIVEL NUT RUN TEE. 1/2"	1
14	FJJ0E9SS060600	UNION ELBOW, 3/8"	7
15	FJJ0S0SS080800	UNION, 1/2"	2
16	FOJ0S0SS081200	FEMALE CONNECTOR, 1/2" PIPE X 3/4 TUBE	1
17	FPJT0SS080808	RUN TEE, 1/2"	1
18	F4503	PUMP, HYDRAULIC - GEAR	1
19	F4555	VALVE, FLOW CONTROL ASSY - EXTERNAL RELIEF	1
	F4510	VALVE, FLOW CONTROL ASSY - INTERNAL RELIEF	
20	F4534	MANIFOLD ASSEMBLY	1
21	R14633	RESTRICTOR FITTING, #8 ORB X 3/8" TUBE X 0.047	(1)
	F1705	RESTRICTOR FITTING, #8 ORB X 3/8" TUBE X 0.060	
"B"		HOSE ASSEMBLY, RETURN (SEE SPECIFIC MODEL KIT)	1

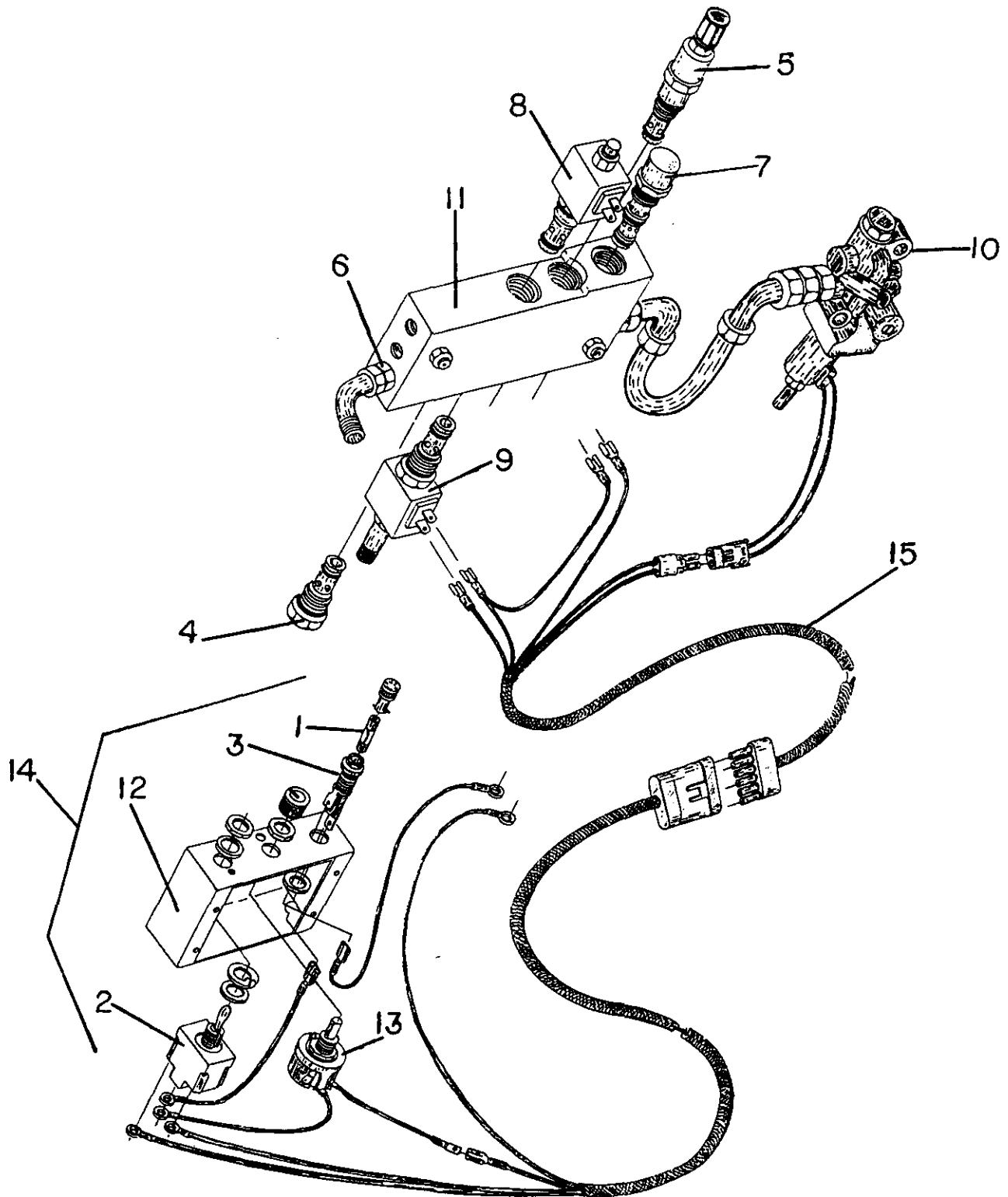
POWER UNIT HYDRAULIC CIRCUIT PARTS



POWER UNIT HYDRAULIC CIRCUIT PARTS

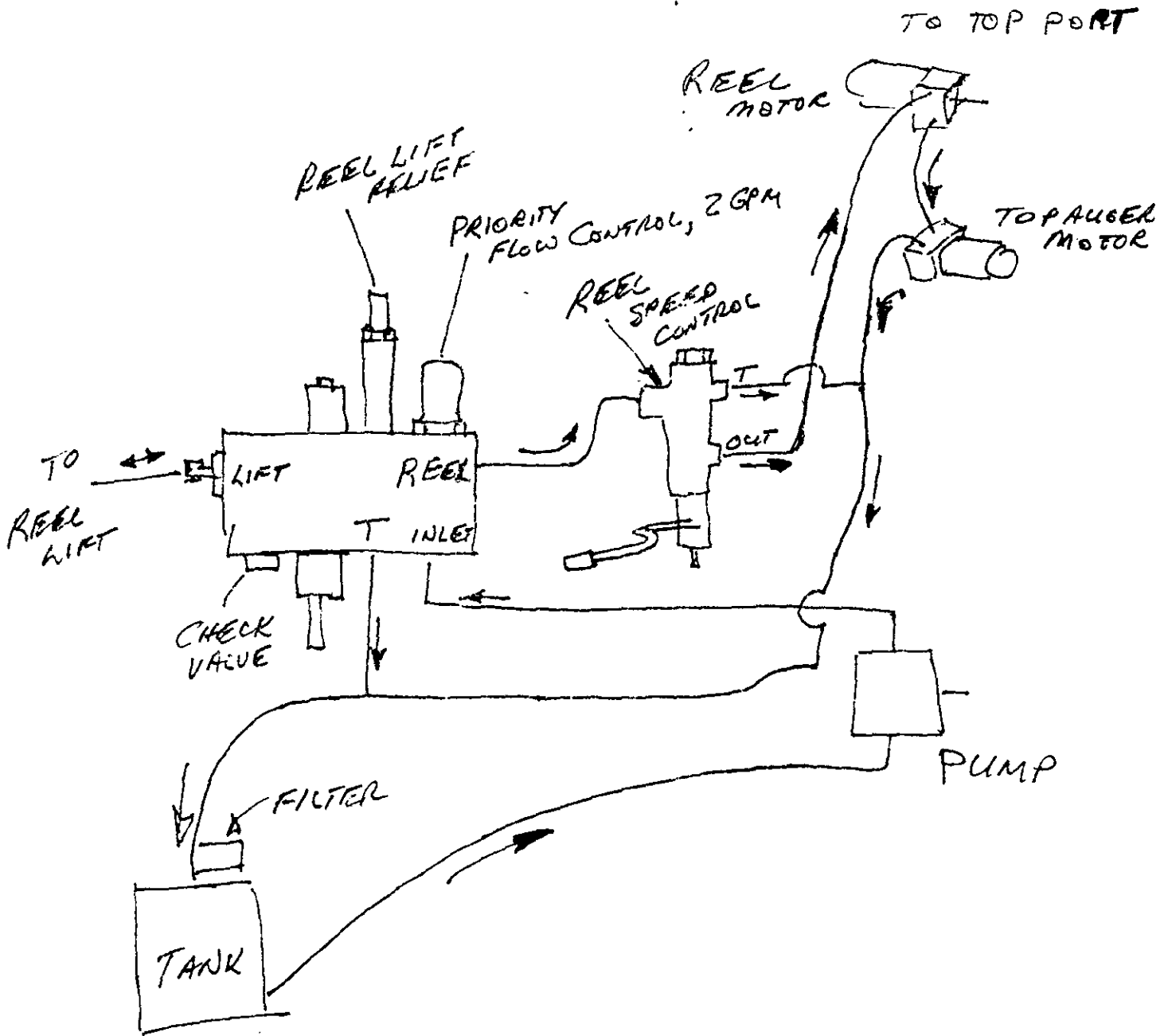
<u>KEY #</u>	<u>PART #</u>	<u>DESCRIPTION</u>	<u>QUANTITY</u>
1	B1653	COUPLER, QUICK DISCONNECT - 3/4 FEMALE PIPE	1
2	B1654	NIPPLE, QUICK DISCONNECT - 3/4 MALE PIPE	1
3	F1762	COUPLER, QUICK DISCONNECT - 3/4 MALE PIPE	1
4	F1763	NIPPLE, QUICK DISCONNECT - 3/4 FEMALE PIPE	1
5	F4522	ELEMENT, FILTER - REPLACEMENT 10 MICRON	1
	F4502	FILTER (ASSEMBLY, BODY AND CANISTER)	(1)
6	FOP0E4SS121200	STREET ELBOW, 3/4" - JOHN DEERE ONLY	(1)
7	FPO0S0SS161200	HEX BUSHING, 1" X 3/4"	1
8	R14470	TANK, HYDRAULIC - 15 GALLON	1
	B2618	TANK INLET COVER	(1)
	B2619	INLET COVER GASKET	(1)
	F1082	CAP, FILLER/BREATHER - PRESSURE (SN G006550 & LATER)	(1)
	B1806	CAP, WEATHERPROOF (PRIOR TO, SERIAL NO. G006550)	
"A"		HOSE ASSEMBLY, INPUT (SEE SPECIFIC MODEL KIT)	1
"B"		HOSE ASSEMBLY, RETURN (SEE SPECIFIC MODEL KIT)	1

MANIFOLD AND ELECTRICAL PARTS



MANIFOLD AND ELECTRICAL PARTS

<u>KEY #</u>	<u>PART #</u>	<u>DESCRIPTION</u>	<u>QUANTITY</u>
1	A1850	FUSE, 5 AMP	1
2	B1987	SWITCH, TOGGLE - MOMENTARY	1
3	B1994	FUSE HOLDER, PANEL MOUNT	1
4	B5242	CHECK VALVE	1
5	B5298	RELIEF VALVE CARTRIDGE	1
6	F1705	RESTRICTOR FITTING	1
7	F4506	VALVE, FLOW CONTROL CARTRIDGE	1
8	F4507	VALVE, N.O. 2 WAY CARTRIDGE	1
9	F4508	VALVE, N.C. 2 WAY CARTRIDGE	1
10	F4555	VALVE, FLOW CONTROL ASEMBLY - EXTERNAL RELIEF	1
	F4510	VALVE, FLOW CONTROL ASEMBLY - INTERNAL RELIEF	
11	F4512	MANIFOLD	1
12	R14506	BOX, SWITCH	1
13	R14550	CONTROLLER, ELECTRONIC	1
14	R14575	ASSEMBLY, CONTROL PANEL	1
15	R14584	WIRING HARNESS, 12 FT	1
	R14585	WIRING HARNESS, 13.5 FT	1
	R14586	WIRING HARNESS, 15 FT	1
16	T10491	KNOB	1



REFERENCE PAGE 42

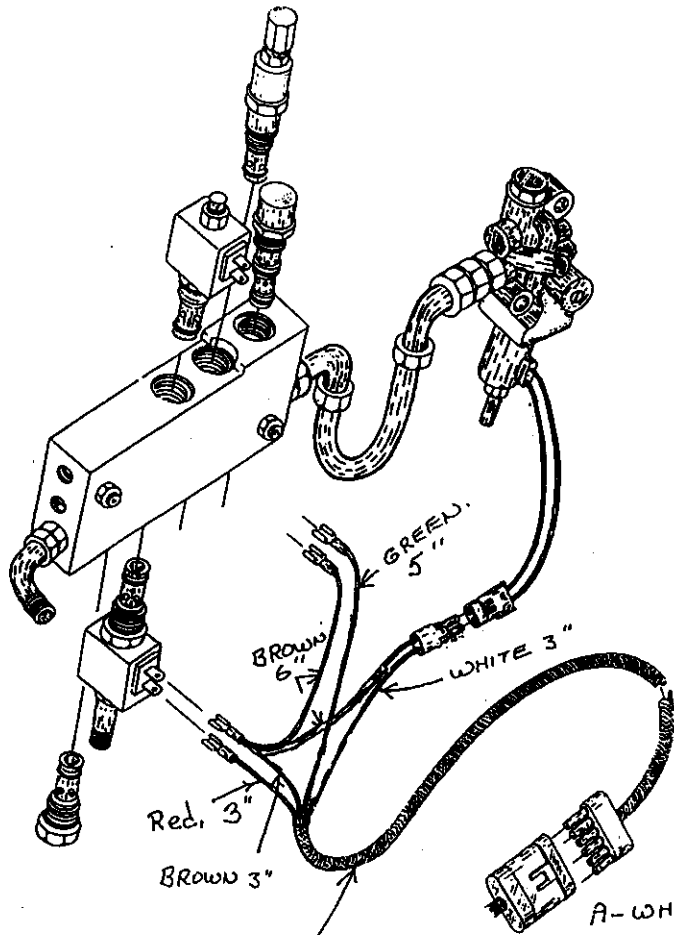
THIS PAGE IS CORRECT

PAGES 16, 17, 18, 19 ARE INCORRECT

DO NOT USE FOR HYDRAULIC CIRCUIT.

TOP PORT OF #28 IS TANK/BYPASS/RETURN PORT
 BOTTOM PORT OF #28 IS POWER PORT TO REEL.

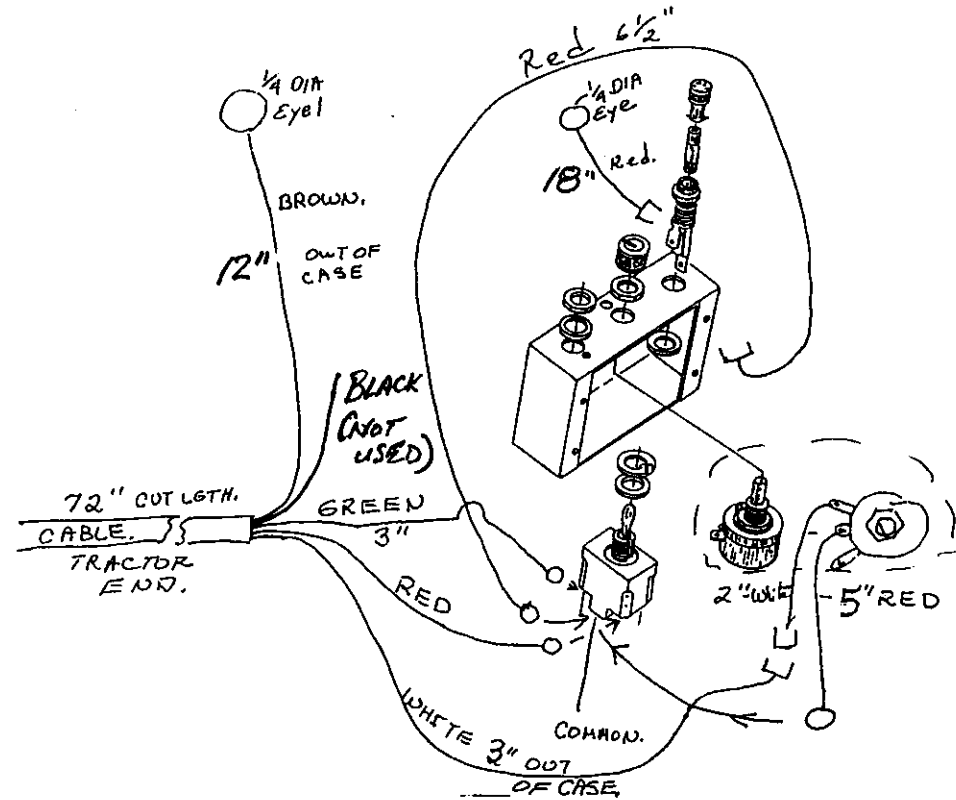
1993 WIRING DIAG.
TR6-



- A- WHITE.
- B- BROWN.
- C- BLACK
- D- GREEN
- E- RED.

CABLE.

TR612	64"
TR613	73"
TR615	82"



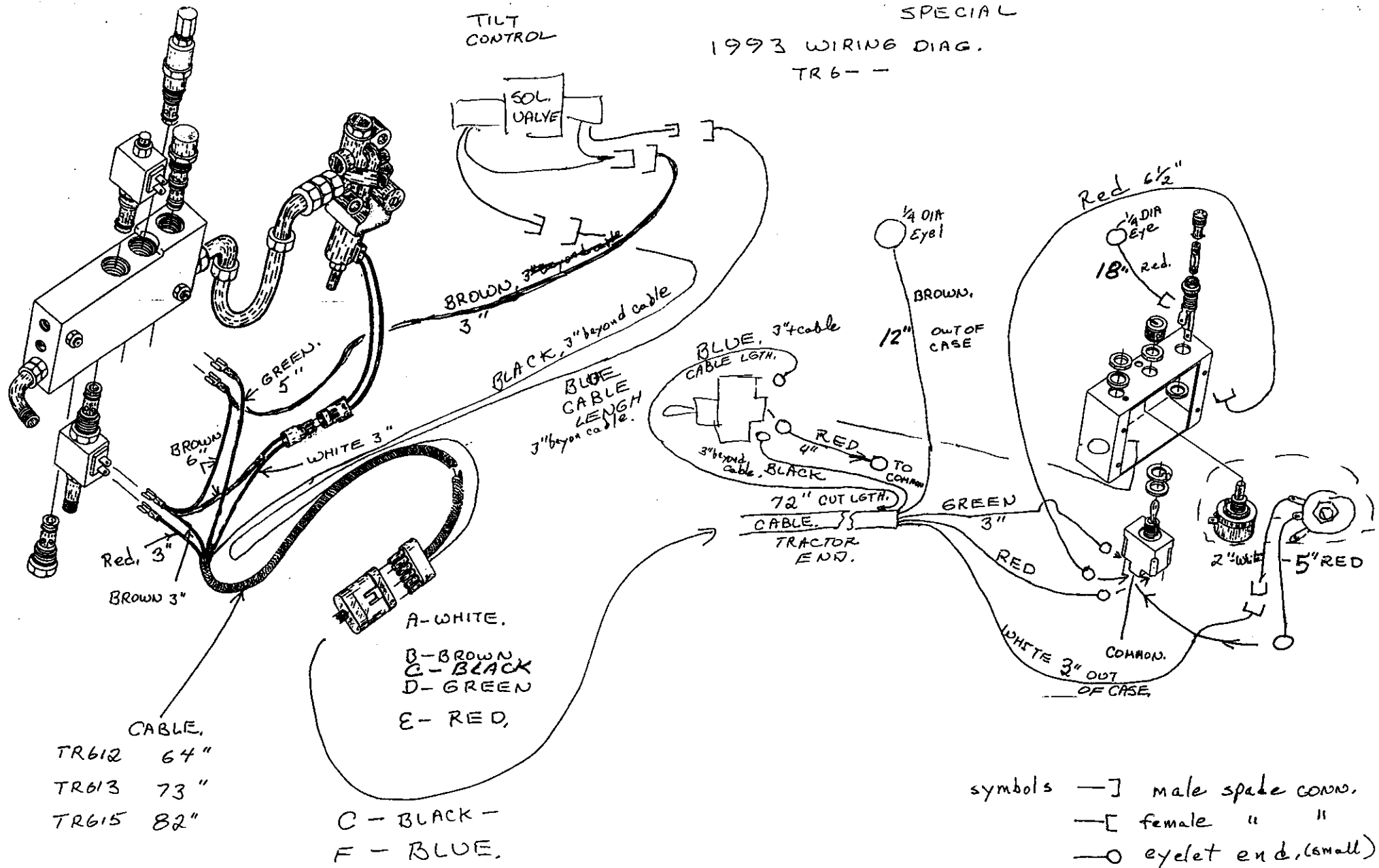
- symbols —] male spade conn.
 — [female " "
 — o eyelet end, (small)

HEADER TILT

SPECIAL

1993 WIRING DIAG.

TR 6--



LOVE TR600 SERIES DUAL AUGER HEADER

SECTION TWO

SPECIFIC MODEL PARTS ILLUSTRATIONS AND LISTING

LOVE TR600 SERIES DUAL AUGER HEADER

JOHN DEERE 3430/3830 PRIOR TO 1995

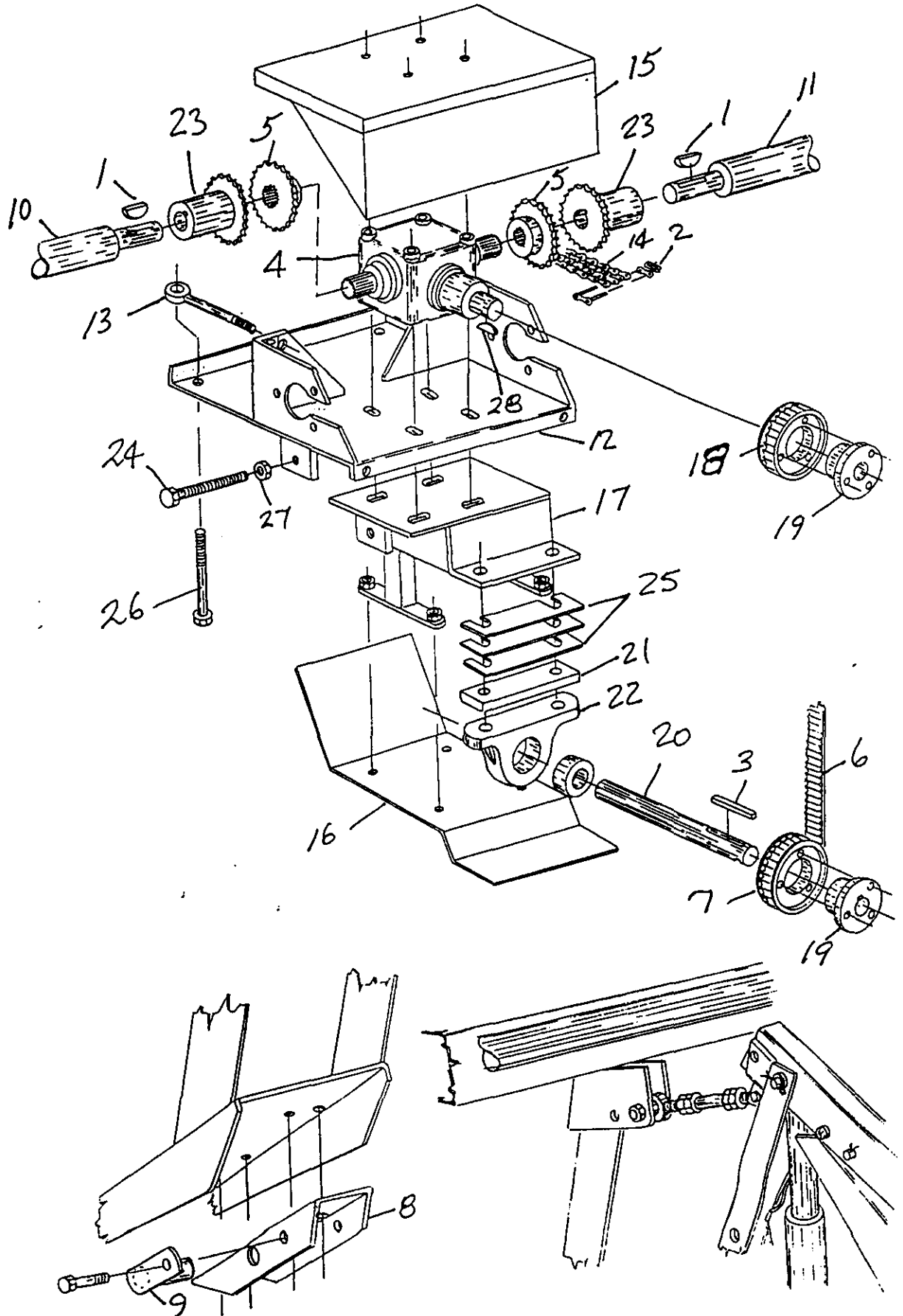
KIT NO. R14707, R14708 AND R14709

LOVE TR600 SERIES DUAL AUGER HEADER

JOHN DEERE 3430/3830 PRIOR TO 1995

KIT NO. R14707, R14708 AND R14709

**SPECIFIC MODEL PARTS
KIT NO. R14707, R14708 AND R14709
JOHN DEERE 3430/3830 PRIOR TO 1995**



**SPECIFIC MODEL PARTS
KIT NO. R14707, R14708, AND R14709
JOHN DEERE 3430/3830 PRIOR TO 1995**

<u>KEY #</u>	<u>PART #</u>	<u>DESCRIPTION</u>	<u>QUANTITY</u>
1	B1822	KEY, WOODRUFF - 1/4 X 1-1/8"	2
2	B5338	CONNECTOR LINK, RC50-2	(2)
3	R14290	KEY, 5/16 X 2" SQUARE	1
4	R14405	CASE, MAIN GEAR	1
5	R14421	SPROCKET, CHAIN COUPLER - SPLINED	2
6	R14439	BELT, POLY CHAIN	1
7	R14440	SPROCKET, 38 TOOTH POLY CHAIN	2
8	R14465	RECEPTACLE, LIFT ARM - JOHN DEERE	2
9	R14467	JOURNAL, LIFT ARM	2
10	R14677	SHAFT, DRIVE - 12 FT LH SERIAL NO. G006393 & LATER	1
	R14474	SHAFT, DRIVE - 12 FT LH PRIOR TO SERIAL NO. G006393	
	R14658	SHAFT, DRIVE - 13.5 FT LH SERIAL NO. G006393 & LATER	1
	R14529	SHAFT, DRIVE - 13.5 FT LH PRIOR TO SERIAL NO. G006393	
	R14660	SHAFT, DRIVE - 15 FT LH SERIAL NO. G006393 & LATER	1
	R14478	SHAFT, DRIVE - 15 FT LH PRIOR TO SERIAL NO. G006393	
11	R14659	SHAFT, DRIVE - 12 FT RH SERIAL NO. G006393 & LATER	1
	R14475	SHAFT, DRIVE - 12 FT RH PRIOR TO SERIAL NO. G006393	
	R14661	SHAFT, DRIVE - 13.5 FT RH SERIAL NO. G006393 & LATER	1
	R14530	SHAFT, DRIVE - 13.5 FT RH PRIOR TO SERIAL NO. G006393	
	R14662	SHAFT, DRIVE - 15 FT RH SERIAL NO. G006393 & LATER	1
	R14472	SHAFT, DRIVE - 15 FT RH PRIOR TO SERIAL NO. G006393	
12	R14476	MOUNT, GEARBOX	1
13	R14484	BOLT, EYE - 1/2-13 UNC X 6	2
14	R14507	CHAIN COUPLER, RC50-2 X 40 PITCHES	1
15	R14565	SHIELD, JD JACKSHAFT - TOP	1
16	R14566	SHIELD, JD JACKSHAFT - BOTTOM	1
17	R14567	MOUNT, JD JACKSHAFT	1
18	R14568	SPROCKET, 38 TOOTH JACKSHAFT DRIVEN	1
19	R14570	BUSHING, 1-1/8" BORE X 5/16 KEYWAY	2
20	R14571	SHAFT, JD JACKSHAFT DRIVE	1
21	R14572	SPACER, JD JACKSHAFT	AR
22	R14573	BEARING, PILLOW BLOCK - 1-1/8" BORE	2
23	R14574	SPROCKET, COUPLER - LONG HUB	2
24	R14576	SCREW, POLY CHAIN TAKE-UP	1
25	R14579	SHIM, TAKE-UP - JD	3 (AR)
26	X2A0500650	CAP SCREW, 1/2-13 UNC X 6-1/2"	2
27	X2C050	NUT, 1/2-13 UNC HEX	10
28	X3H1010	WOODRUFF KEY, 5/16 X 1-1/4"	1

LOVE TR600 SERIES DUAL AUGER HEADER

JOHN DEERE 2280 SPECIFIC MODEL

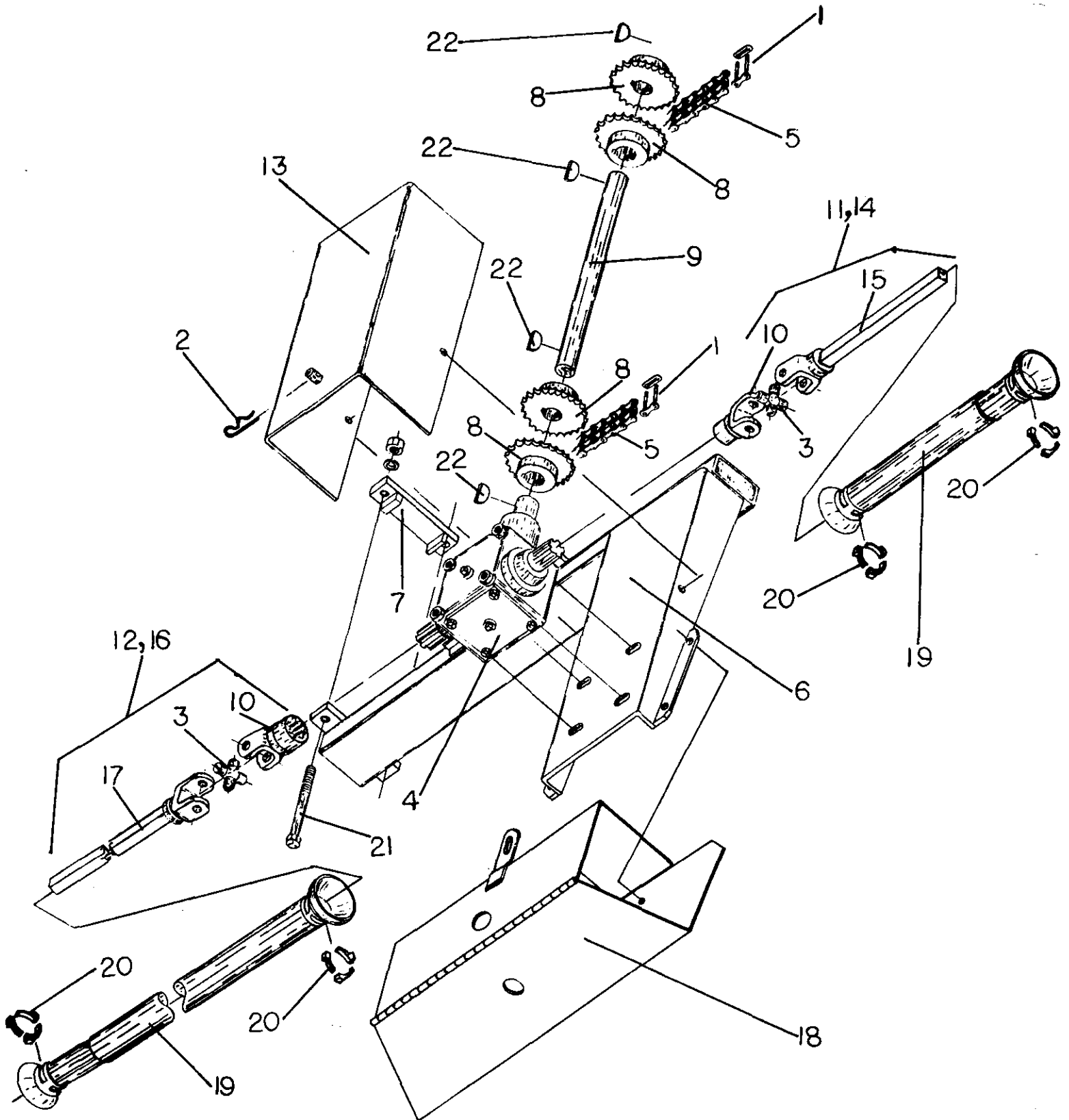
KIT NO. R14713

LOVE TR600 SERIES DUAL AUGER HEADER

JOHN DEERE 2280 SPECIFIC MODEL

KIT NO. R14713

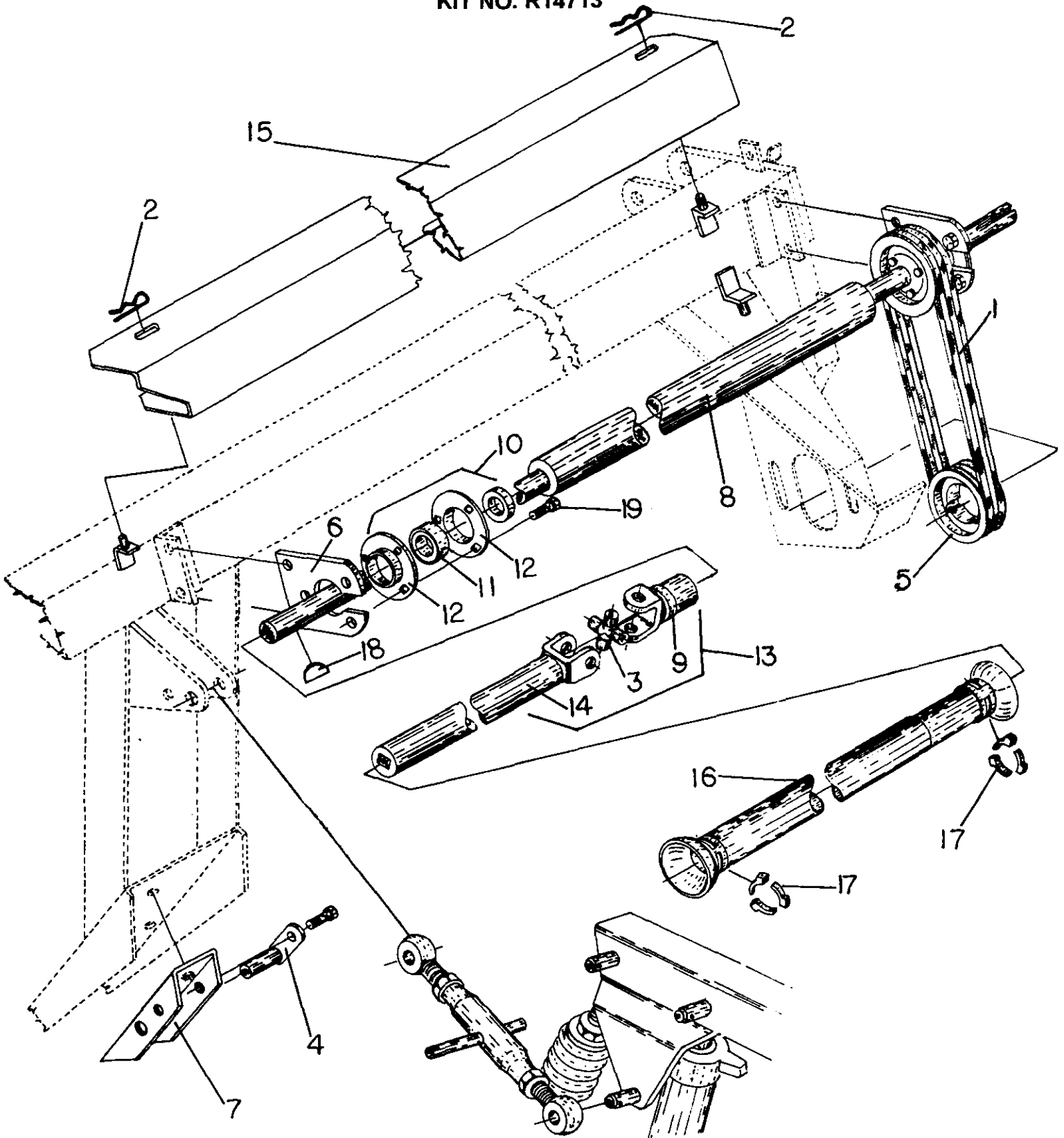
JOHN DEERE 2280 SPECIFIC MODEL PARTS
 POWER UNIT MOUNTED PARTS
 KIT NO. R14713



**JOHN DEERE 2280 SPECIFIC MODEL PARTS
POWER UNIT MOUNTED PARTS
KIT NO. R14713**

<u>KEY #</u>	<u>PART #</u>	<u>DESCRIPTION</u>	<u>QUANTITY</u>
1	B5338	CONNECTOR LINK, RC50-2	(2)
2	G10278	CLIP, HAIRPIN COTTER 0.092	1
3	R 816	CROSS KIT	(4)
4	R14405	CASE, MAIN GEAR	1
5	R14507	CHAIN COUPLER, RC50-2 X 20 PITCHES	1
6	R14686	MOUNT, GEARBOX	1
7	R14687	CLAMP, REAR	2
8	R14689	SPROCKET, CHAIN COUPLER - 1-1/8" ROUND BORE	4
9	R14690	SHAFT, GEARBOX COUPLER	1
10	R14693	YOKE, 1-1/4 9-TOOTH SPLINE	(2)
11	R14698	DRIVE LINE, TELESCOPING - LH [17"]	1
12	R14699	DRIVE LINE, TELESCOPING - RH [36"]	1
13	R14800	SHIELD, INPUT	1
14	R14803	SHAFT, U-JOINT - MALE 17" WITH YOKE AND CROSS KIT	(1)
15	R14805	YOKE AND SHAFT, MALE 17" W/O CROSS KIT AND YOKE	(1)
16	R14807	SHAFT, U-JOINT - MALE 36"	(1)
17	R14809	YOKE AND SHAFT, MALE 36" W/O CROSS KIT AND YOKE	(1)
18	R14813	SHIELD, GEAR BOX - JD 2280	1
19	R14814	SHIELD, PTO ROTATING - REPAIR KIT	(1)
20	R14815	BEARING/KEEPER, PTO SHIELD (3 PCS.)	(2)
21	X2A0501000	1/2-13 UNC X 10" CAPSCREW	4
22	X3H1010	KEY, WOODRUFF - 5/16 X 1-1/4"	6
NOT SHOWN:			
B1653		COUPLER, 3/4" QD - FEMALE PIPE (REFERENCE PAGE 1-51)	1
B1763		NIPPLE, 3/4" QD - FEMALE THREAD (REFERENCE PAGE 1-51)	1
F4536		HOSE ASSEMBLY "A", 3/4" X 60" (REFERENCE PAGE 1-51)	1
F4516		HOSE ASSEMBLY "B", 3/4" X 70" (REFERENCE PAGE 1-51)	1
FOP0E4SS121200		45 DEGREE STREET ELBOW, 3/4" (REFERENCE PAGE 1-51)	1

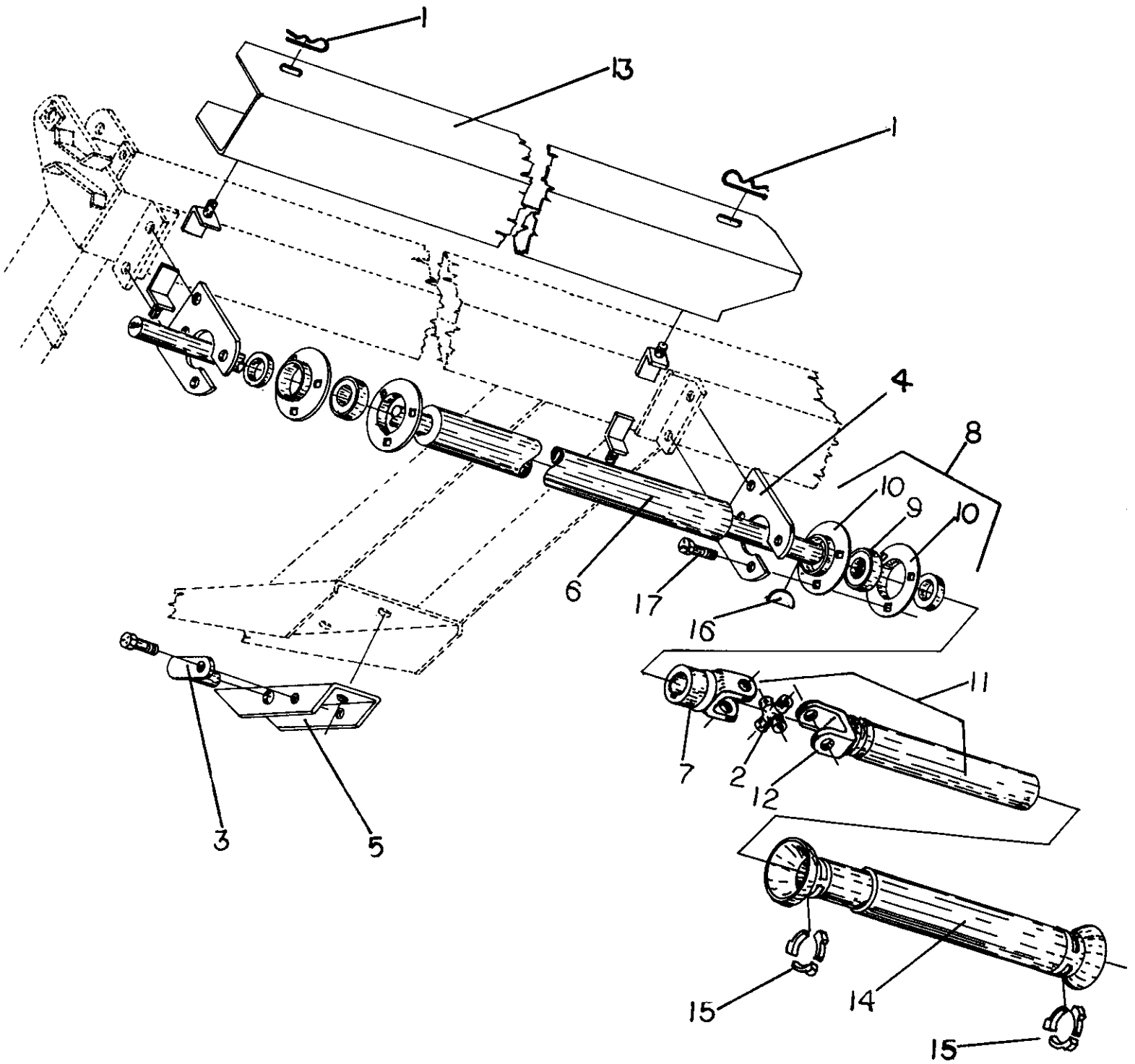
REAR VIEW - RIGHT SIDE HEADER MOUNTED PARTS
JOHN DEERE 2280
FOR
KIT NO. R14713



**REAR VIEW - RIGHT SIDE HEADER MOUNTED PARTS
JOHN DEERE 2280
FOR
KIT NO. R14713**

<u>KEY #</u>	<u>PART #</u>	<u>DESCRIPTION</u>	<u>QUANTITY</u>
1	G10186	V-BELT, 450 LENGTH	3
2	G10278	CLIP, HAIRPIN COTTER 0.092	4
3	R 816	CROSS KIT	(1)
4	R14467	JOURNAL, LIFT ARM - J DEERE FOR DRAPER LIFT ARMS	1
	R14823	JOURNAL, LIFT ARM - J DEERE 2280 FOR AUGER LIFT ARMS	1
5	R14598	SHEAVE, 3/3V4.12	1
6	R14684	MOUNT, BEARING - HEAVY DUTY	1
7	R14465	RECEPTACLE, LIFT ARM - J DEERE FOR AUGER LIFT ARMS	1
	R14688	RECEPTACLE, LIFT ARM - J D 2280 FOR DRAPER LIFT ARMS	1
8	R14691	SHAFT, DRIVE - 13.5 FT JOHN DEERE MECHANICAL DRIVE	1
9	R14692	YOKE, 1-1/4 ROUND BORE	(1)
10	R14695	BEARING, 1-1/4" DIA - HEAVY DUTY	2
11	R14696	BEARING, 1-1/4" DIA - HD CARTRIDGE W/COLLAR	(1)
12	R14697	FLANGETTE, 72 MM	(2)
13	R14808	SLEEVE, U-JOINT - FEMALE 36" WITH YOKE AND CROSS KIT	1
14	R14810	YOKE AND TUBE, FEMALE 36" W/O CROSS KIT AND YOKE	(1)
15	R14812	SHIELD, RH - JD 2280	1
16	R14814	SHIELD, PTO ROTATING - REPAIR KIT	(1)
17	R14815	BEARING/KEEPER, PTO SHIELD (3 PCS.)	(1)
18	X3H1010	KEY, WOODRUFF - 5/16 X 1-1/4"	1
19	X2B0370100	CARRIAGE SCREW, 3/8-16 UNC X 1	3

REAR VIEW - LEFT SIDE HEADER MOUNTED PARTS
JOHN DEERE 2280
FOR
KIT NO. R14713



**REAR VIEW - LEFT SIDE HEADER MOUNTED PARTS
JOHN DEERE 2280
FOR
KIT NO. R14713**

<u>KEY #</u>	<u>PART #</u>	<u>DESCRIPTION</u>	<u>QUANTITY</u>
1	G10278	CLIP, HAIRPIN COTTER 0.092	4
2	R 816	CROSS KIT	(1)
3	R14467	JOURNAL, LIFT ARM - J DEERE FOR DRAPER LIFT ARMS	1
	R14823	JOURNAL, LIFT ARM - J DEERE 2280 FOR AUGER LIFT ARMS	1
4	R14684	MOUNT, BEARING - HEAVY DUTY	1
5	R14465	RECEPTACLE, LIFT ARM - J DEERE FOR AUGER LIFT ARMS	1
	R14688	RECEPTACLE, LIFT ARM - J D 2280 FOR DRAPER LIFT ARMS	1
6	R14691	SHAFT, DRIVE - 13.5 FT JOHN DEERE MECHANICAL DRIVE	1
7	R14692	YOKE, 1-1/4 ROUND BORE	(1)
8	R14695	BEARING, 1-1/4" DIA - HEAVY DUTY	1
9	R14696	BEARING, 1-1/4" DIA - HD CARTRIDGE W/COLLAR	(1)
10	R14697	FLANGETTE, 72 MM	(2)
11	R14804	SLEEVE, U-JOINT - FEMALE 17" WITH YOKE AND CROSS KIT	1
12	R14806	YOKE AND TUBE, FEMALE 17" W/O CROSS KIT AND YOKE	(1)
13	R14811	SHIELD, LH - JD 2280	1
14	R14814	SHIELD, PTO ROTATING - REPAIR KIT	(1)
15	R14815	BEARING/KEEPER, PTO SHIELD (3 PCS.)	(2)
16	X3H1010	KEY, WOODRUFF - 5/16 X 1-1/4"	1
17	X2B0370100	CARRIAGE SCREW, 3/8-16 UNC X 1	3

LOVE TR600 SERIES DUAL AUGER HEADER

JOHN DEERE 3430 SPECIFIC MODEL

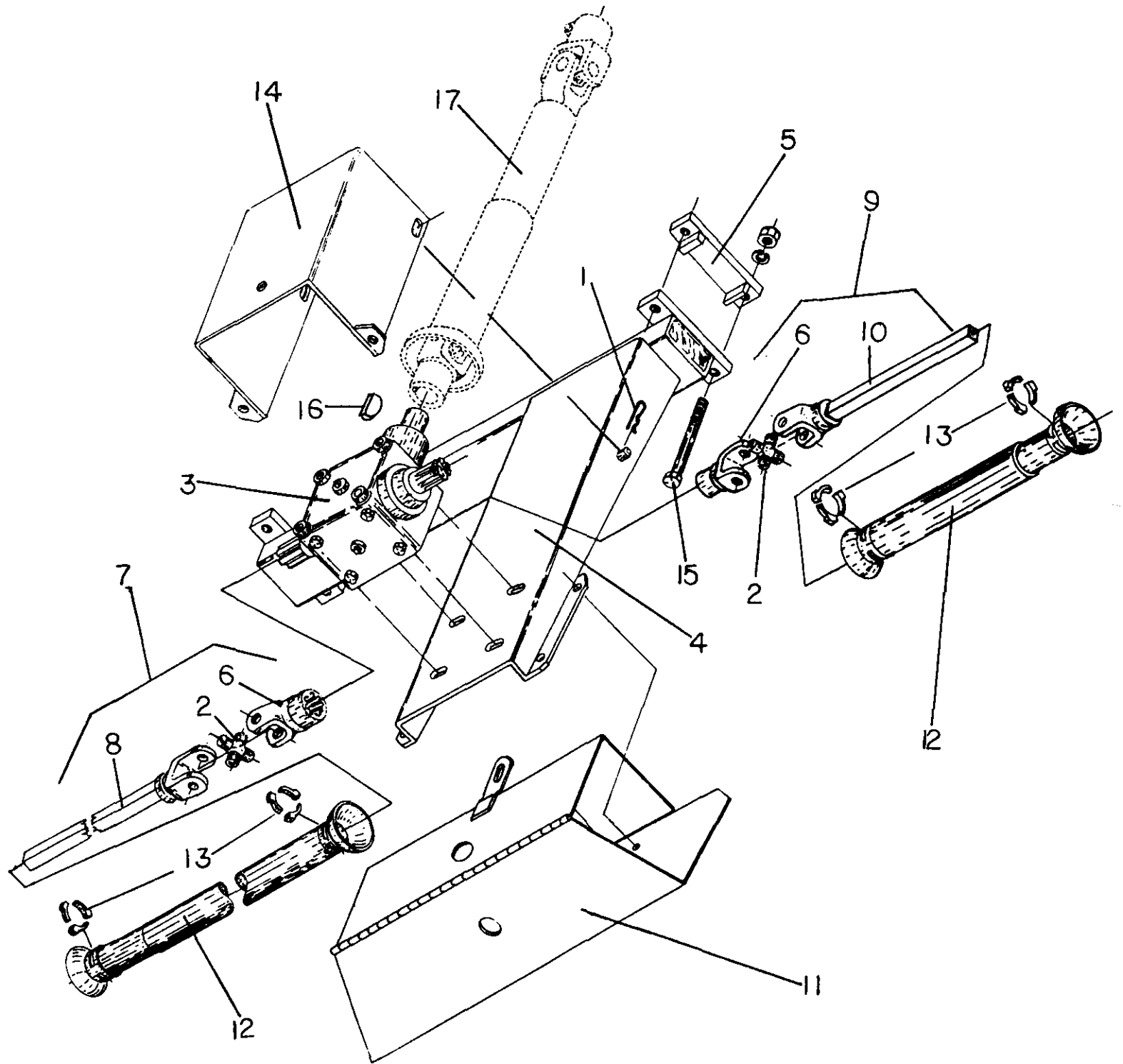
KIT NO. R14716

LOVE TR600 SERIES DUAL AUGER HEADER

JOHN DEERE 3430 SPECIFIC MODEL

KIT NO. R14716

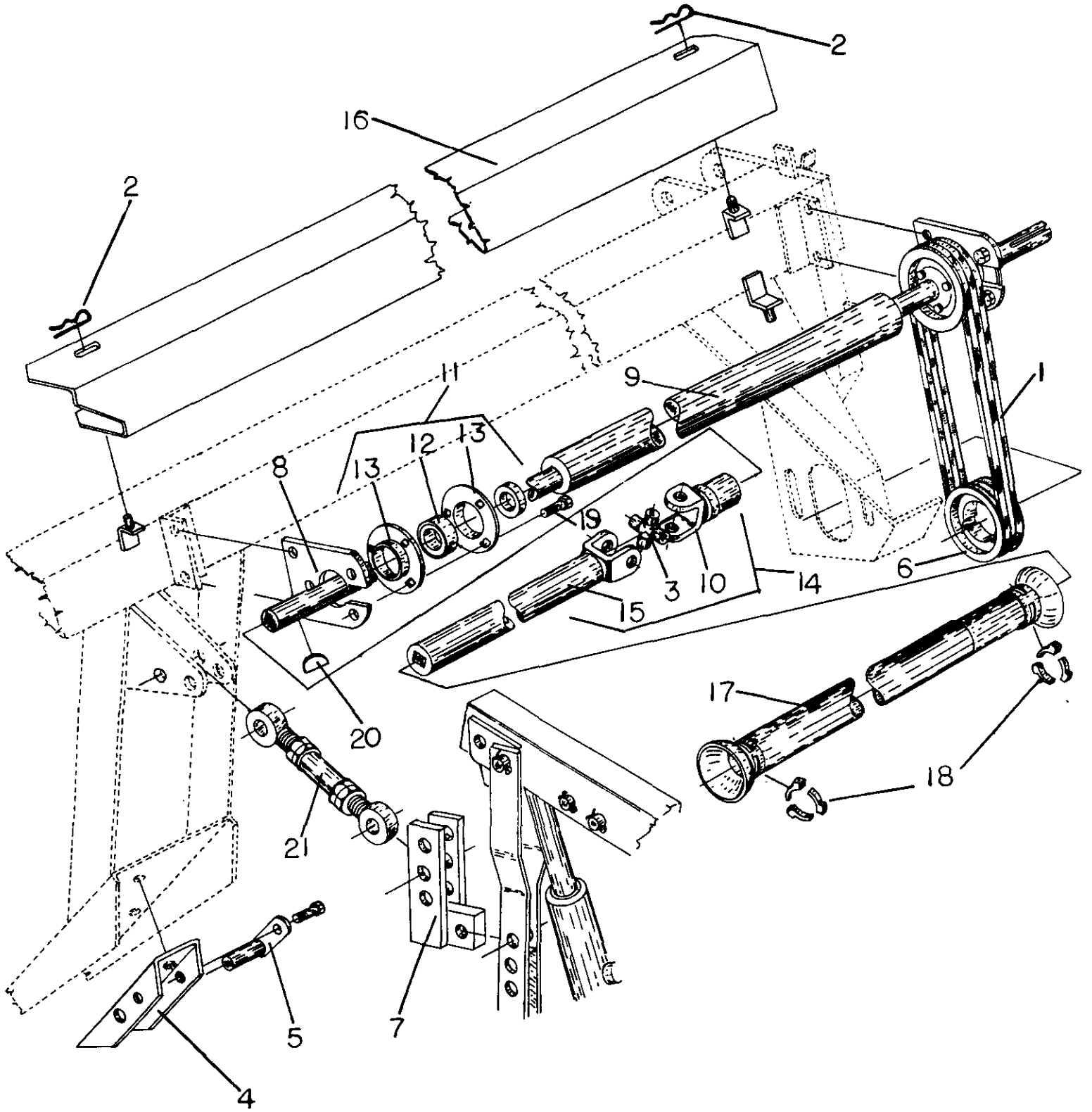
**JOHN DEERE 3430 SPECIFIC MODEL PARTS
POWER UNIT MOUNTED PARTS
KIT NO. R14716**



**JOHN DEERE 3430 SPECIFIC MODEL PARTS
POWER UNIT MOUNTED PARTS
KIT NO. R14716**

<u>KEY #</u>	<u>PART #</u>	<u>DESCRIPTION</u>	<u>QUANTITY</u>
1	G10278	CLIP, HAIRPIN COTTER 0.092	1
2	R 816	CROSS KIT	(4)
3	R14405	CASE, MAIN GEAR	1
4	R14673	MOUNT, GEARBOX	1
5	R14687	CLAMP, REAR	2
6	R14693	YOKE, 1-1/4 9-TOOTH SPLINE	(2)
7	R14803	SHAFT, U-JOINT - MALE 17" WITH YOKE AND CROSS KIT	(1)
8	R14805	YOKE AND SHAFT, MALE 17" W/O CROSS KIT AND YOKE	(1)
9	R14807	SHAFT, U-JOINT - MALE 36" WITH YOKE AND CROSS KIT	(1)
10	R14809	YOKE AND SHAFT, MALE 36" W/O CROSS KIT AND YOKE	(1)
11	R14813	SHIELD, GEAR BOX - JD	1
12	R14814	SHIELD, PTO ROTATING - REPAIR KIT	(1)
13	R14815	BEARING/KEEPER, PTO SHIELD (3 PCS.)	(2)
14	R14841	GUARD, GEAR BOX INPUT	1
15	X2A0501000	1/2-13 UNC X 10" CAPSCREW	4
16	X3H1010	KEY, WOODRUFF - 5/16 X 1-1/4"	3
17		DRIVE LINE, JOHN DEERE 3430 - MODIFY TO FIT	
NOT SHOWN:			
B1653		COUPLER, 3/4" QD - FEMALE PIPE (REFERENCE PAGE 1-51)	1
B1763		NIPPLE, 3/4" QD - FEMALE THREAD (REFERENCE PAGE 1-51)	1
F4558		HOSE ASSEMBLY "A", 3/4" X 80" (REFERENCE PAGE 1-51)	1
F4558		HOSE ASSEMBLY "B", 3/4" X 80" (REFERENCE PAGE 1-51)	1
FOP0E4SS121200		45 DEGREE STREET ELBOW, 3/4" (REFERENCE PAGE 1-51)	1
R14632		ANCHOR, LIFT - TOP LINK	2
R14698		DRIVE LINE, TELESCOPING - LH [17"] COMPLETE	1
R14699		DRIVE LINE, TELESCOPING - RH [36"] COMPLETE	1
R14842		HOSE LOOP	1

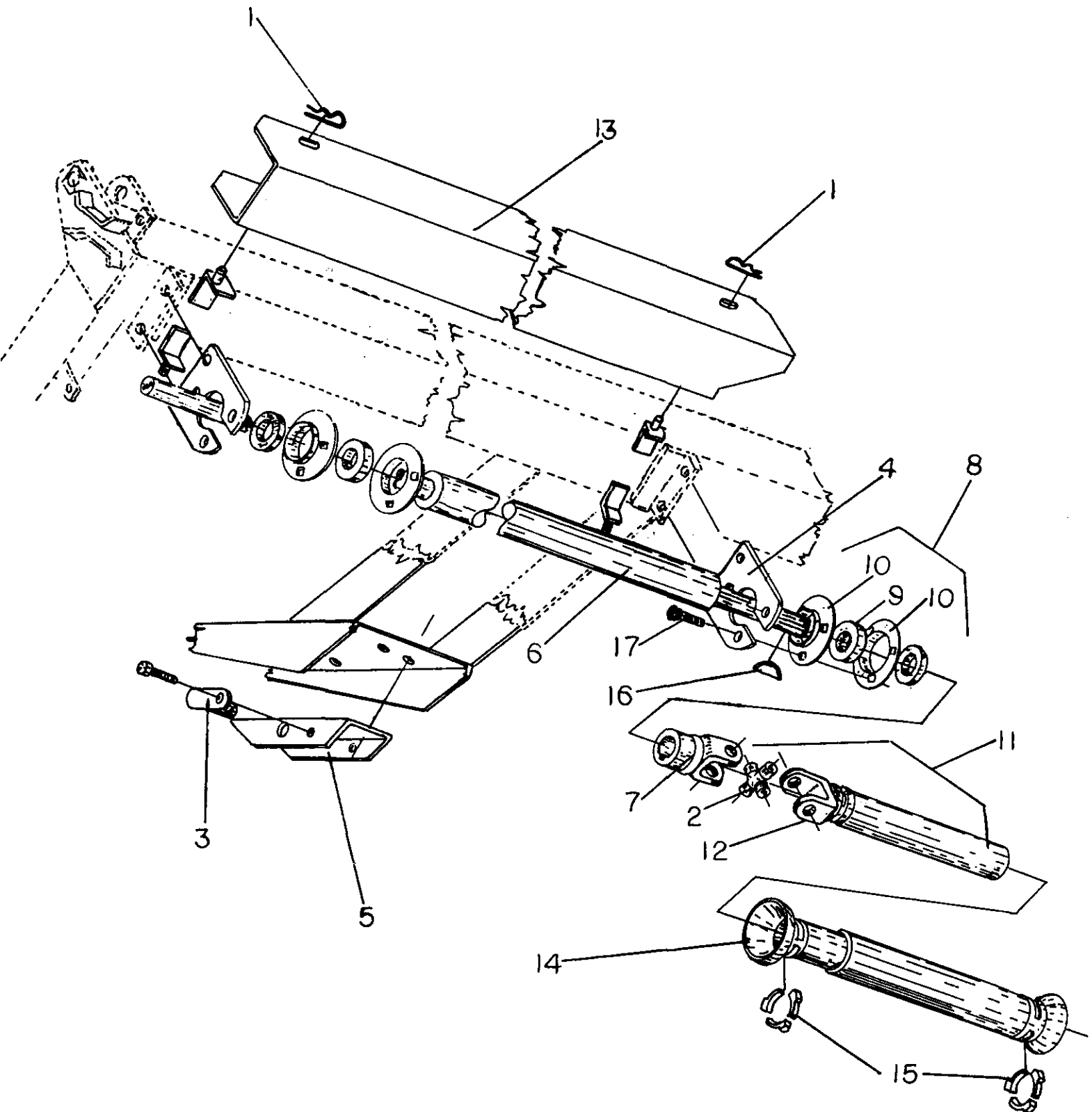
REAR VIEW - RIGHT SIDE HEADER MOUNTED PARTS
JOHN DEERE 3430
FOR
KIT NO. R14716



**REAR VIEW - RIGHT SIDE HEADER MOUNTED PARTS
JOHN DEERE 3430
FOR
KIT NO. R14716**

<u>KEY #</u>	<u>PART #</u>	<u>DESCRIPTION</u>	<u>QUANTITY</u>
1	G10186	V-BELT, 450 LENGTH	3
2	G10278	CLIP, HAIRPIN COTTER 0.092	4
3	R 816	CROSS KIT	(1)
4	R14465	RECEPTACLE, LIFT ARM - J DEERE	1
5	R14467	JOURNAL, LIFT ARM - J DEERE FOR DRAPER LIFT ARMS	1
6	R14468	SHEAVE, 3/3V5.00	1
7	R14632	ANCHOR, LIFT - TOP LINK	2
8	R14684	MOUNT, BEARING - HEAVY DUTY	1
9	R14691	SHAFT, DRIVE - 13.5 FT JOHN DEERE MECHANICAL DRIVE	1
10	R14692	YOKE, 1-1/4 ROUND BORE	(1)
11	R14695	BEARING, 1-1/4" DIA - HEAVY DUTY	2
12	R14696	BEARING, 1-1/4" DIA - HD CARTRIDGE W/COLLAR	(1)
13	R14697	FLANGETTE, 72 MM	(2)
14	R14808	SLEEVE, U-JOINT - FEMALE 36" WITH YOKE AND CROSS KIT	1
15	R14810	YOKE AND TUBE, FEMALE 36" W/O CROSS KIT AND YOKE	(1)
16	R14812	SHIELD, RH 13,5 FT - JD	1
17	R14814	SHIELD, PTO ROTATING - REPAIR KIT	(1)
18	R14815	BEARING/KEEPER, PTO SHIELD (3 PCS.)	(1)
19	X2B0370100	CARRIAGE SCREW, 3/8-16 UNC X 1	3
20	X3H1010	KEY, WOODRUFF - 5/16 X 1-1/4"	1
21		JOHN DEERE TOP LINK	2

REAR VIEW - LEFT SIDE HEADER MOUNTED PARTS
 JOHN DEERE 3430
 FOR
 KIT NO. R14716



**REAR VIEW - LEFT SIDE HEADER MOUNTED PARTS
JOHN DEERE 3430
FOR
KIT NO. R14716**

<u>KEY #</u>	<u>PART #</u>	<u>DESCRIPTION</u>	<u>QUANTITY</u>
1	G10278	CLIP, HAIRPIN COTTER 0.092	4
2	R 816	CROSS KIT	(1)
3	R14467	JOURNAL, LIFT ARM - J DEERE FOR DRAPER LIFT ARMS	1
4	R14684	MOUNT, BEARING - HEAVY DUTY	1
5	R14465	RECEPTACLE, LIFT ARM - J DEERE	1
6	R14691	SHAFT, DRIVE - 13.5 FT JOHN DEERE MECHANICAL DRIVE	1
7	R14692	YOKE, 1-1/4 ROUND BORE	(1)
8	R14695	BEARING, 1-1/4" DIA - HEAVY DUTY	1
9	R14696	BEARING, 1-1/4" DIA - HD CARTRIDGE W/COLLAR	(1)
10	R14697	FLANGETTE, 72 MM	(2)
11	R14804	SLEEVE, U-JOINT - FEMALE 17" WITH YOKE AND CROSS KIT	1
12	R14806	YOKE AND TUBE, FEMALE 17" W/O CROSS KIT AND YOKE	(1)
13	R14811	SHIELD, LH 13.5 FT - JD	1
14	R14814	SHIELD, PTO ROTATING - REPAIR KIT	(1)
15	R14815	BEARING/KEEPER, PTO SHIELD (3 PCS.)	(2)
16	X3H1010	KEY, WOODRUFF - 5/16 X 1-1/4"	1
17	X2B0370100	CARRIAGE SCREW, 3/8-16 UNC X 1	3

LOVE TR600 SERIES DUAL AUGER HEADER

JOHN DEERE 3430 SPECIFIC MODEL

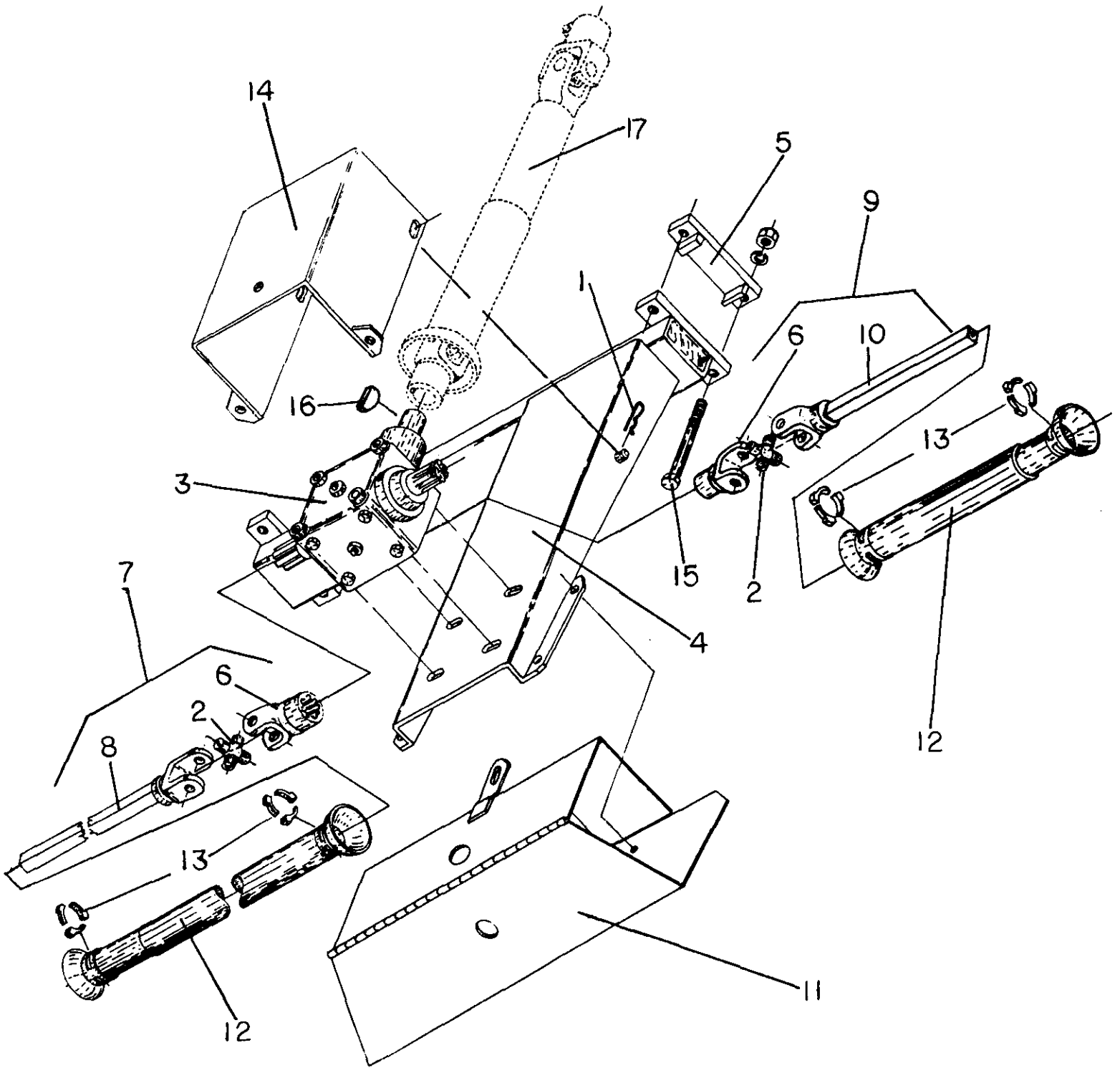
KIT NO. R14717

LOVE TR600 SERIES DUAL AUGER HEADER

JOHN DEERE 3430 SPECIFIC MODEL

KIT NO. R14717

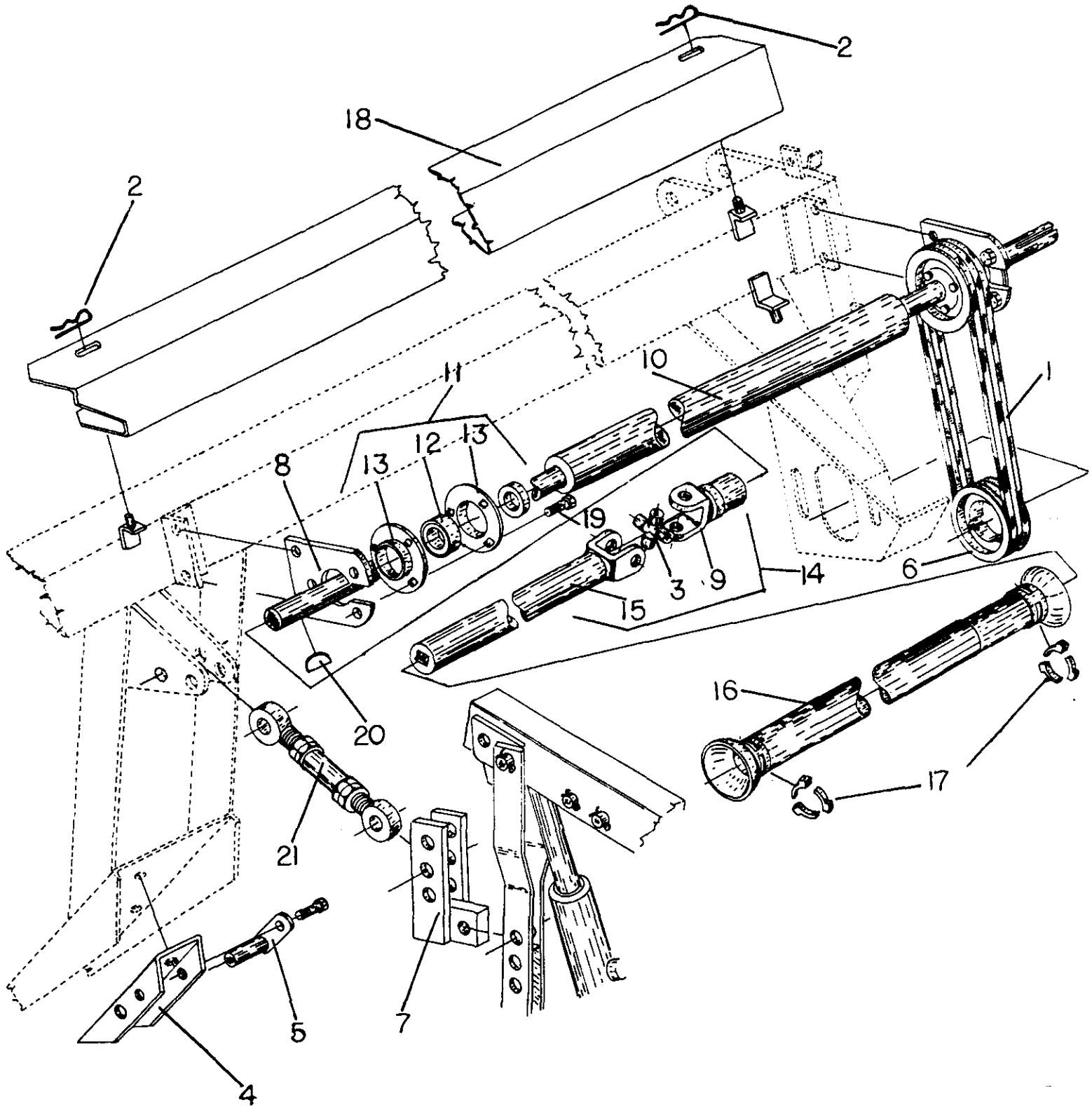
JOHN DEERE 3430 SPECIFIC MODEL PARTS
POWER UNIT MOUNTED PARTS
KIT NO. R14717



**JOHN DEERE 3430 SPECIFIC MODEL PARTS
POWER UNIT MOUNTED PARTS
KIT NO. R14717**

<u>KEY #</u>	<u>PART #</u>	<u>DESCRIPTION</u>	<u>QUANTITY</u>
1	G10278	CLIP, HAIRPIN COTTER 0.092	1
2	R 816	CROSS KIT	(4)
3	R14405	CASE, MAIN GEAR	1
4	R14673	MOUNT, GEARBOX	1
5	R14687	CLAMP, REAR	2
6	R14693	YOKE, 1-1/4 9-TOOTH SPLINE	(2)
7	R14803	SHAFT, U-JOINT - MALE 17" WITH YOKE AND CROSS KIT	(1)
8	R14805	YOKE AND SHAFT, MALE 17" W/O CROSS KIT AND YOKE	(1)
9	R14807	SHAFT, U-JOINT - MALE 36" WITH YOKE AND CROSS KIT	(1)
10	R14809	YOKE AND SHAFT, MALE 36" W/O CROSS KIT AND YOKE	(1)
11	R14813	SHIELD, GEAR BOX - JD	1
12	R14814	SHIELD, PTO ROTATING - REPAIR KIT	(1)
13	R14815	BEARING/KEEPER, PTO SHIELD (3 PCS.)	(2)
14	R14841	GUARD, GEAR BOX INPUT	1
15	X2A0501000	1/2-13 UNC X 10" CAPSCREW	4
16	X3H1010	KEY, WOODRUFF - 5/16 X 1-1/4"	3
17		DRIVE LINE, JOHN DEERE 3430 - MODIFY TO FIT	
NOT SHOWN:			
B1653		COUPLER, 3/4" QD - FEMALE PIPE (REFERENCE PAGE 1-51)	1
B1763		NIPPLE, 3/4" QD - FEMALE THREAD (REFERENCE PAGE 1-51)	1
F4550		HOSE ASSEMBLY "B", 3/4" X 90" (REFERENCE PAGE 1-51)	1
F4558		HOSE ASSEMBLY "A", 3/4" X 80" (REFERENCE PAGE 1-51)	1
FOP0E4SS121200		45 DEGREE STREET ELBOW, 3/4" (REFERENCE PAGE 1-51)	1
R14632		ANCHOR, LIFT - ,TOP LINK	2
R14698		DRIVE LINE, TELESCOPING - LH [17"] COMPLETE	1
R14699		DRIVE LINE, TELESCOPING - RH [36"] COMPLETE	1
R14842		HOSE LOOP	1

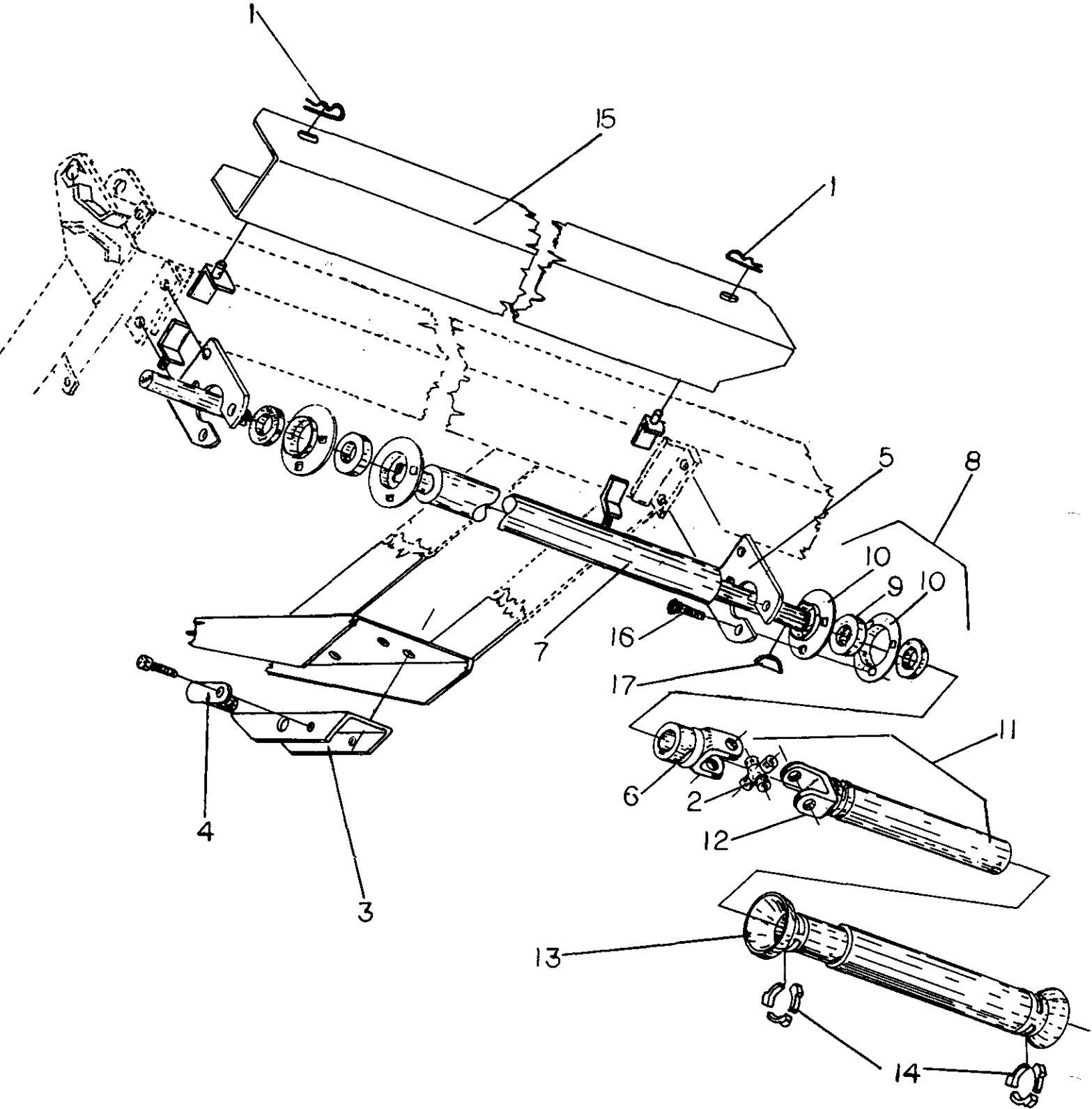
REAR VIEW - RIGHT SIDE HEADER MOUNTED PARTS
JOHN DEERE 3430
FOR
KIT NO. R14717



**REAR VIEW - RIGHT SIDE HEADER MOUNTED PARTS
JOHN DEERE 3430
FOR
KIT NO. R14717**

<u>KEY #</u>	<u>PART #</u>	<u>DESCRIPTION</u>	<u>QUANTITY</u>
1	G10186	V-BELT, 450 LENGTH	3
2	G10278	CLIP, HAIRPIN COTTER 0.092	4
3	R 816	CROSS KIT	(1)
4	R14465	RECEPTACLE, LIFT ARM - J DEERE	1
5	R14467	JOURNAL, LIFT ARM - J DEERE FOR DRAPER LIFT ARMS	1
6	R14468	SHEAVE, 3/3V5.00	1
7	R14632	ANCHOR, LIFT - TOP LINK	2
8	R14684	MOUNT, BEARING - HEAVY DUTY	1
9	R14692	YOKE, 1-1/4 ROUND BORE	(1)
10	R14694	SHAFT, DRIVE - 15 FT JOHN DEERE MECHANICAL DRIVE	1
11	R14695	BEARING, 1-1/4" DIA - HEAVY DUTY	2
12	R14696	BEARING, 1-1/4" DIA - HD CARTRIDGE W/COLLAR	(1)
13	R14697	FLANGETTE, 72 MM	(2)
14	R14808	SLEEVE, U-JOINT - FEMALE 36" WITH YOKE AND CROSS KIT	1
15	R14810	YOKE AND TUBE, FEMALE 36" W/O CROSS KIT AND YOKE	(1)
16	R14814	SHIELD, PTO ROTATING - REPAIR KIT	(1)
17	R14815	BEARING/KEEPER, PTO SHIELD (3 PCS.)	(1)
18	R14834	SHIELD, RH 15 FT - JD	1
19	X2B0370100	CARRIAGE SCREW, 3/8-16 UNC X 1	3
20	X3H1010	KEY, WOODRUFF - 5/16 X 1-1/4"	1
21		JOHN DEERE TOP LINK	2

REAR VIEW - LEFT SIDE HEADER MOUNTED PARTS
JOHN DEERE 3430
FOR
KIT NO. R14717



**REAR VIEW - LEFT SIDE HEADER MOUNTED PARTS
JOHN DEERE 3430
FOR
KIT NO. R14717**

<u>KEY #</u>	<u>PART #</u>	<u>DESCRIPTION</u>	<u>QUANTITY</u>
1	G10278	CLIP, HAIRPIN COTTER 0.092	4
2	R 816	CROSS KIT	(1)
3	R14465	RECEPTACLE, LIFT ARM - J DEERE	1
4	R14467	JOURNAL, LIFT ARM - J DEERE FOR DRAPER LIFT ARMS	1
5	R14684	MOUNT, BEARING - HEAVY DUTY	1
6	R14692	YOKE, 1-1/4 ROUND BORE	(1)
7	R14694	SHAFT, DRIVE - 15 FT JOHN DEERE MECHANICAL DRIVE	1
8	R14695	BEARING, 1-1/4" DIA - HEAVY DUTY	1
9	R14696	BEARING, 1-1/4" DIA - HD CARTRIDGE W/COLLAR	(1)
10	R14697	FLANGETTE, 72 MM	(2)
11	R14804	SLEEVE, U-JOINT - FEMALE 17" WITH YOKE AND CROSS KIT	1
12	R14806	YOKE AND TUBE, FEMALE 17" W/O CROSS KIT AND YOKE	(1)
13	R14814	SHIELD, PTO ROTATING - REPAIR KIT	(1)
14	R14815	BEARING/KEEPER, PTO SHIELD (3 PCS.)	(2)
15	R14833	SHIELD, LH 15 FT - JD	1
16	X2B0370100	CARRIAGE SCREW, 3/8-16 UNC X 1	3
17	X3H1010	KEY, WOODRUFF - 5/16 X 1-1/4"	1

LOVE TR600 SERIES DUAL AUGER HEADER

CASE/HESSTON HYDRAULIC HEADER DRIVE

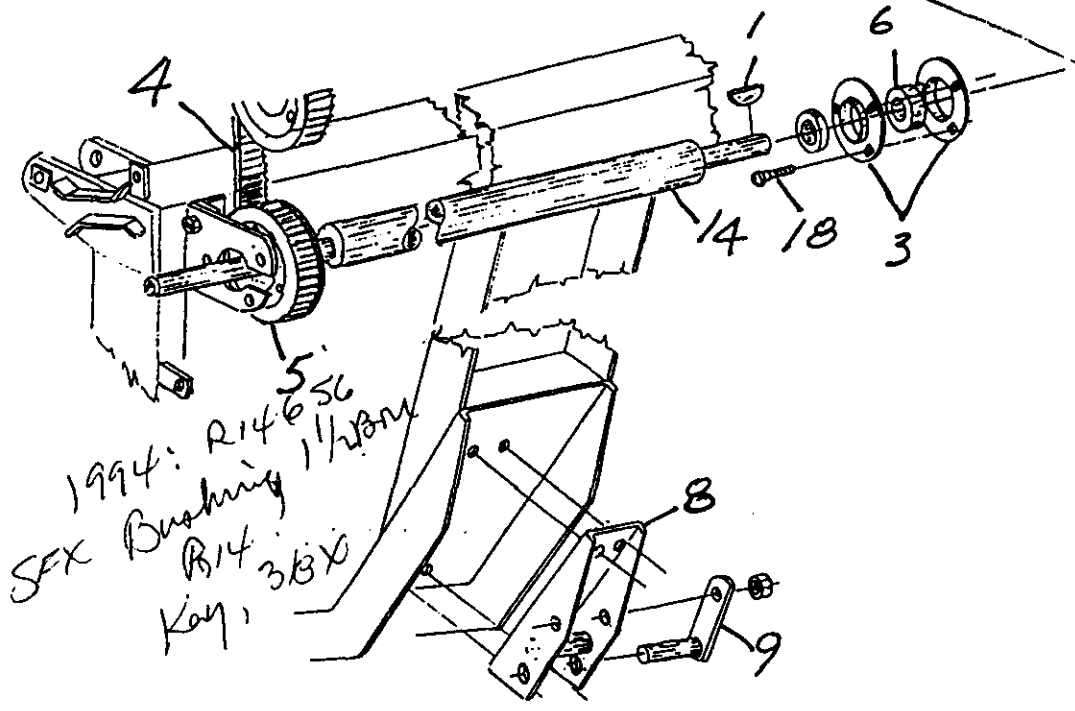
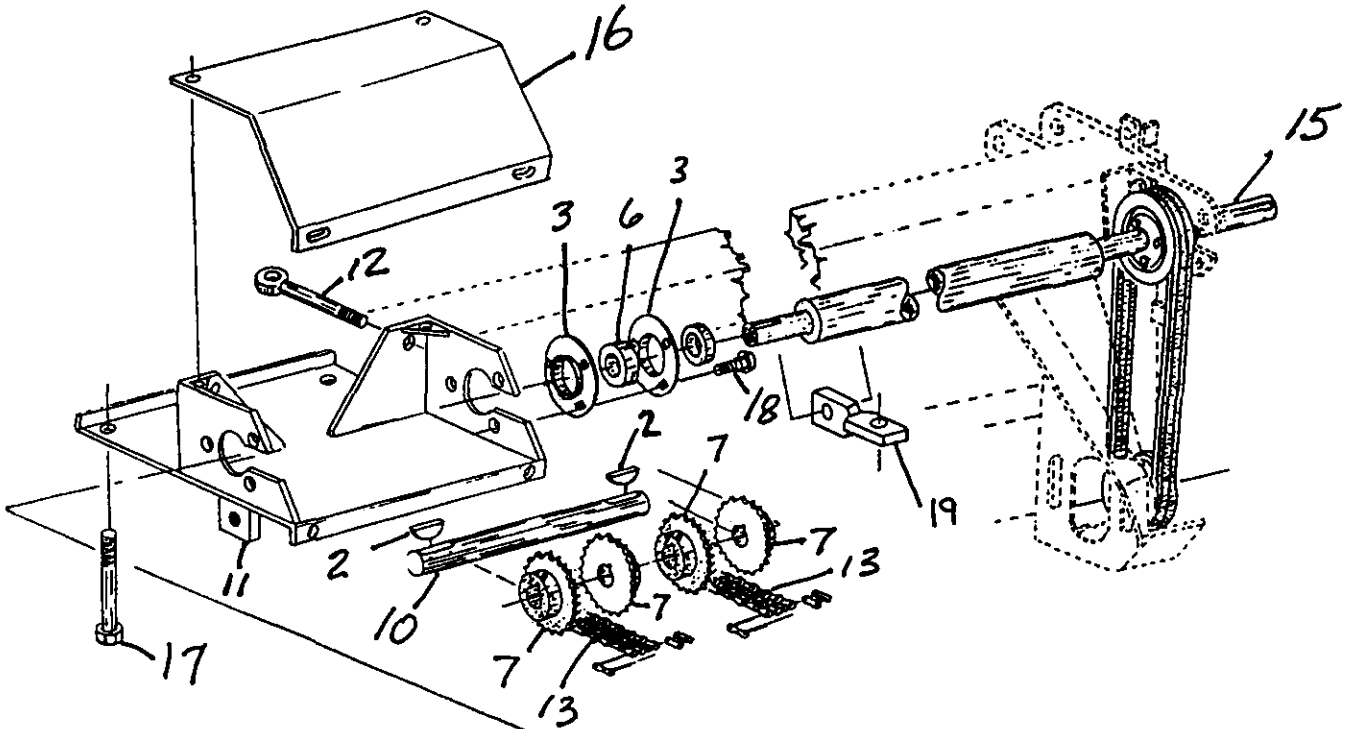
KIT NO. R14701, R14706 AND R14711

LOVE TR600 SERIES DUAL AUGER HEADER

CASE/HESSTON HYDRAULIC HEADER DRIVE

KIT NO. R14701, R14706 AND R14711

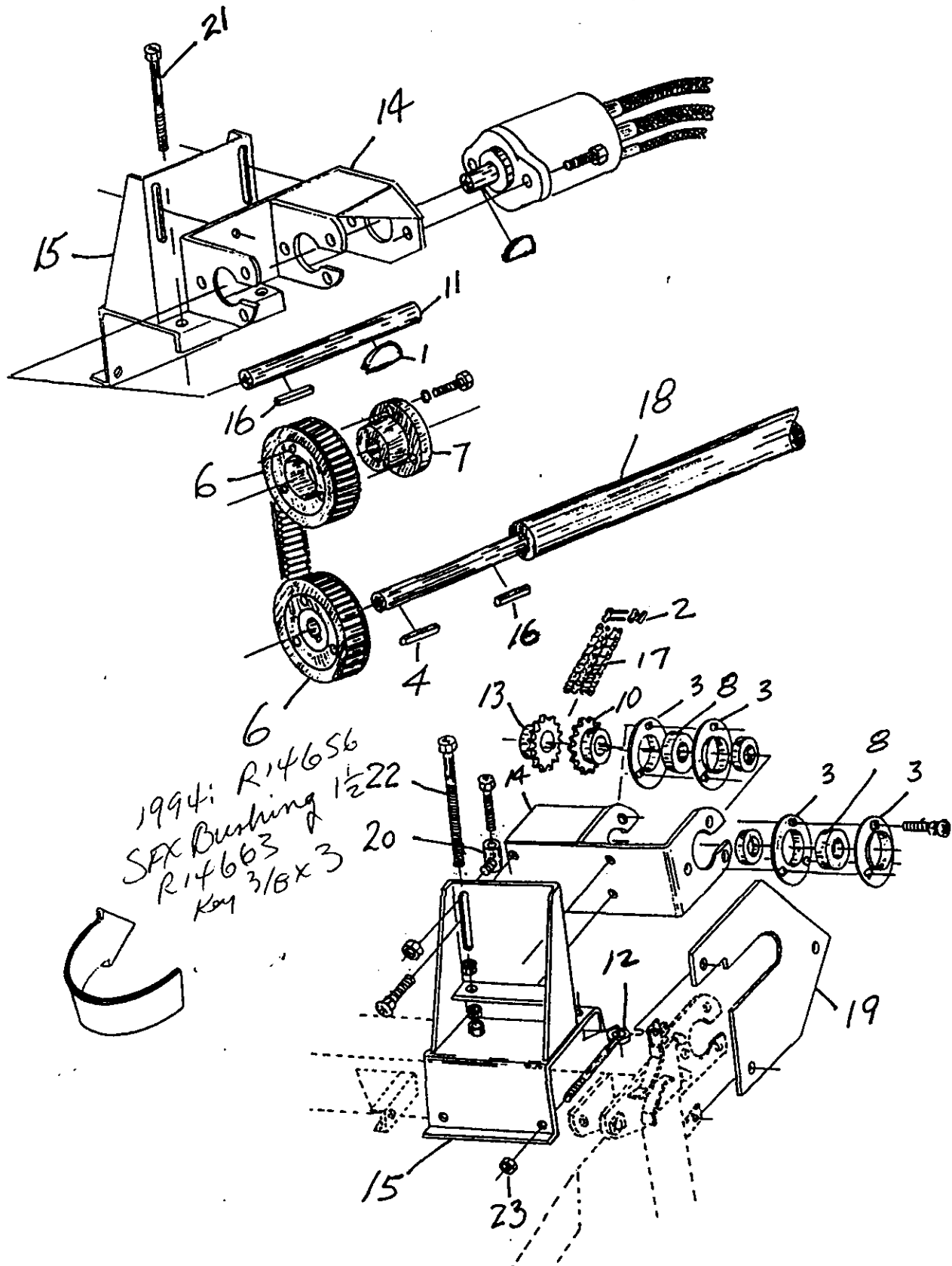
**SPECIFIC MODEL PARTS
KIT NO. R14701, R14706 AND R14711
CASE/HESSTON HYDRAULIC HEADER DRIVE**



**SPECIFIC MODEL PARTS
KIT NO. R14701, R14706, AND R14711
CASE/HESSTON HYDRAULIC HEADER DRIVE**

<u>KEY #</u>	<u>PART #</u>	<u>DESCRIPTION</u>	<u>QUANTITY</u>
1	B1821	WOODRUFF KEY, 808 1/4" X 1"	3
2	B1822	WOODRUFF KEY, 809 - 1/4 X 1-1/8"	2
3	D10240	FLANGE, BEARING - 62 MM	8
4	R14439	BELT, POLY CHAIN GT - 39.13 PL	1
5	R14440	SPROCKET, 7.02 P.D. - 38 TOOTH	2
6	R14451	BEARING CARTRIDGE, 1-1/4" W/C	4
7	R14463	SPROCKET, COUPLER HALF	1
8	R14464	JOURNAL, LIFT ARM CASE/HESSTON	2
9	R14466	PIN, LATCH	2
10	R14473	SHAFT, CONNECTOR CASE/HESSTON HYDRAULIC	1
11	R14476	MOUNT, GEARBOX	1
12	R14484	BOLT, EYE - 1/2-13 UNC X 6	2
13	R14507	COUPLER, CHAIN RC50/2 X 20 PITCHES	2
14	R14677	SHAFT, DRIVE - LH 12 FT SERIAL NO. G006393 & LATER	1
	R14474	SHAFT, DRIVE - LH 12 FT PRIOR TO SERIAL NO. G006393	
	R14658	SHAFT, DRIVE - LH 13.5 FT SERIAL NO. G006393 & LATER	1
	R14529	SHAFT, DRIVE - LH 13.5 FT PRIOR TO SERIAL NO. G006393	
	R14660	SHAFT, DRIVE - LH 15' SERIAL NO. G006393 & LATER	1
	R14478	SHAFT, DRIVE - LH 15' PRIOR TO SERIAL NO. G006393	
15	R14659	SHAFT, DRIVE - RH 12 FT SERIAL NO. G006393 & LATER	1
	R14475	SHAFT, DRIVE - RH 12 FT PRIOR TO SERIAL NO. G006393	
	R14661	SHAFT, DRIVE - RH 13.5 FT SERIAL NO. G006393 & LATER	1
	R14530	SHAFT, DRIVE - RH 13.5 FT PRIOR TO SERIAL NO. G006393	
	R14662	SHAFT, DRIVE - RH 15 FT SERIAL NO. G006393 & LATER	1
	R14472	SHAFT, DRIVE - RH 15 FT PRIOR TO SERIAL NO. G006393	
16	R14557	SHIELD, SHAFT CONNECTOR	1
17	X2A0500650	1/2-13 UNC X 6-1/2 CAPSCREW	2
18	X2B0370100	3/8-16 UNC X 1 CARRIAGE	12
19	R14581	CYLINDER LUQ EXTENSION	1

**SPECIFIC MODEL PARTS
KIT NO. R14701, R14706 AND R14711
CASE/HESSTON HYDRAULIC HEADER DRIVE**



SPECIFIC MODEL PARTS
KIT NO. R14701, R14706, AND R14711
CASE/HESSTON HYDRAULIC HEADER DRIVE

<u>KEY</u>	<u>PART #</u>	<u>DESCRIPTION</u>	<u>QTY</u>
1	X3H808	KEY, WOODRUFF - 1/4 X 1" (B1821)	1
2	B5338	CONNECTOR LINK, RC50-2	1
3	D10240	FLANGE. 62MM	4
4	R14288 R14664	KEY, 1/4X2-3/4"- SQUARE PRIOR TO S/N G006393 KEY, 1/4 X 3 - SQUARE S/N G006393 AND UP	2
5	R14439	BELT, POLY CHAIN	1
6	R14440	SPROCKET, 40 TOOTH POL Y CHAIN	2
7	R 14441	BUSHING, 1-1/4" BORE X 1/4 KEYWAY ,	2
8	R14451	BEARING, CARTRIDGE W/COLLAR - 1-1/4"	2
NS	R14459	SHIELD, POLY CHAIN	1
10	R14463	SPROCKET, COUPLER HALF	1
11	R14482	JACKSHAFT, CASE/HESSTON HYDR DRIVE	1
12	R14484	BOLT, EYE - 1/2-13 UNC X 6	2
13	R14490	SPROCKET, COUPLER, 1" BORE (MOTOR)	1
14	R14491	MOUNT, HYDR. MOTOR - CASE/HESSTON	1
15	R14492	BRACKET, JACKSHAFT - CASE/HESSTON	1
16	R14505 R14663	KEY, 1/4 X 1-3/4" – SQUARE PRIOR TO S/N G006993 KEY, 3/8 X 3 - SQUARE S/N G006393 AND UP	1
17	R14507	CHAIN COUPLER, RC50-2 X 40 PITCHES ~	1
18	R14677	SHAFT, DRIVE - 12 FT LH SERIAL NO. G006393 & UP	1
	R14474	SHAFT, DRIVE - 12 FT LH PRIOR TO SERIAL #G006393	
	R14658	SHAFT, DRIVE - 13.5 FT LH SERIAL NO. G006393 & UP	1
	R14529	SHAFT, DRIVE - 13.5 FT LH PRIOR TO SERIAL #G006393	
	R14660	SHAFT, DRIVE - 15 FT LH SERIAL NO. G006393 & UP	1
	R14478	SHAFT, DRIVE - 15 FT LH PRIOR TO SERIAL #G006393	
19	R14545	SHIELD, VERTICAL END	2
20	R14558	TEE-BOL T	1
21	X2A0500650	CAP SCREW, 1/2-13 UNC X 6-1/2"	2
22	X2A0500701	SCREW, TAKEUP - 1/2-13 UNC X 7 FULL THREAD	2
23	X2C050	NUT, 1/2-13 UNC HEX	10

LOVE TR600 SERIES DUAL AUGER HEADER

CASE/IHC 5000

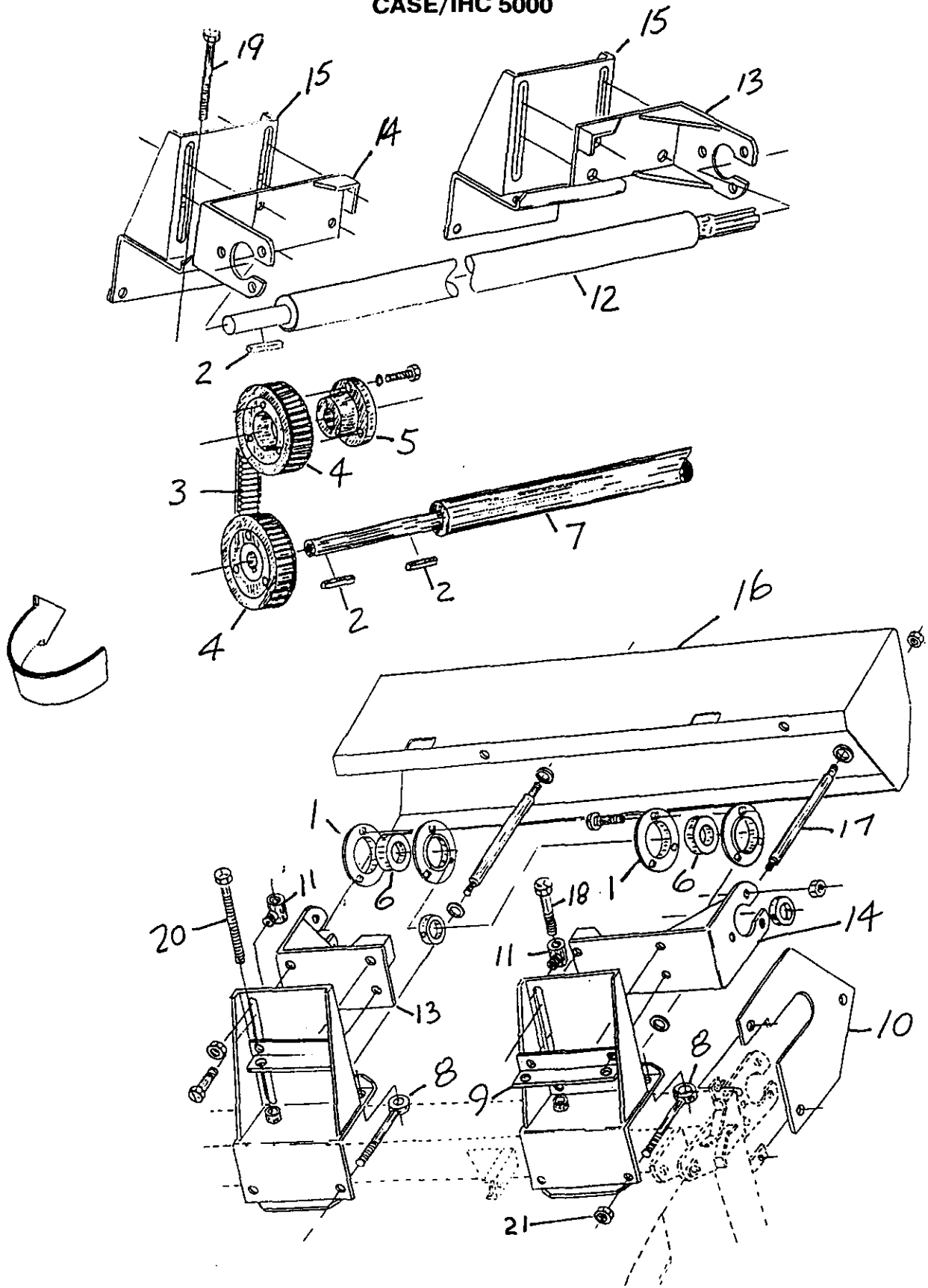
KIT NO. R14704 & R14705

LOVE TR600 SERIES DUAL AUGER HEADER

CASE/IHC 5000

KIT NO. R14704 & R14705

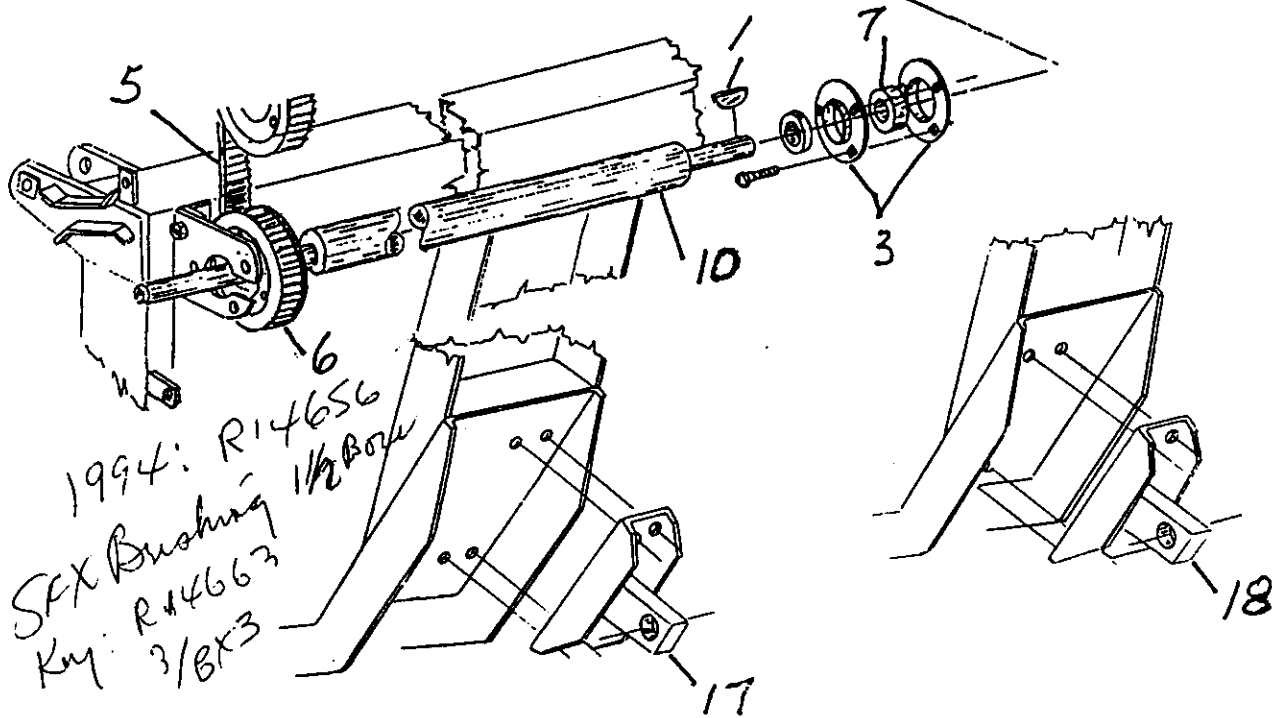
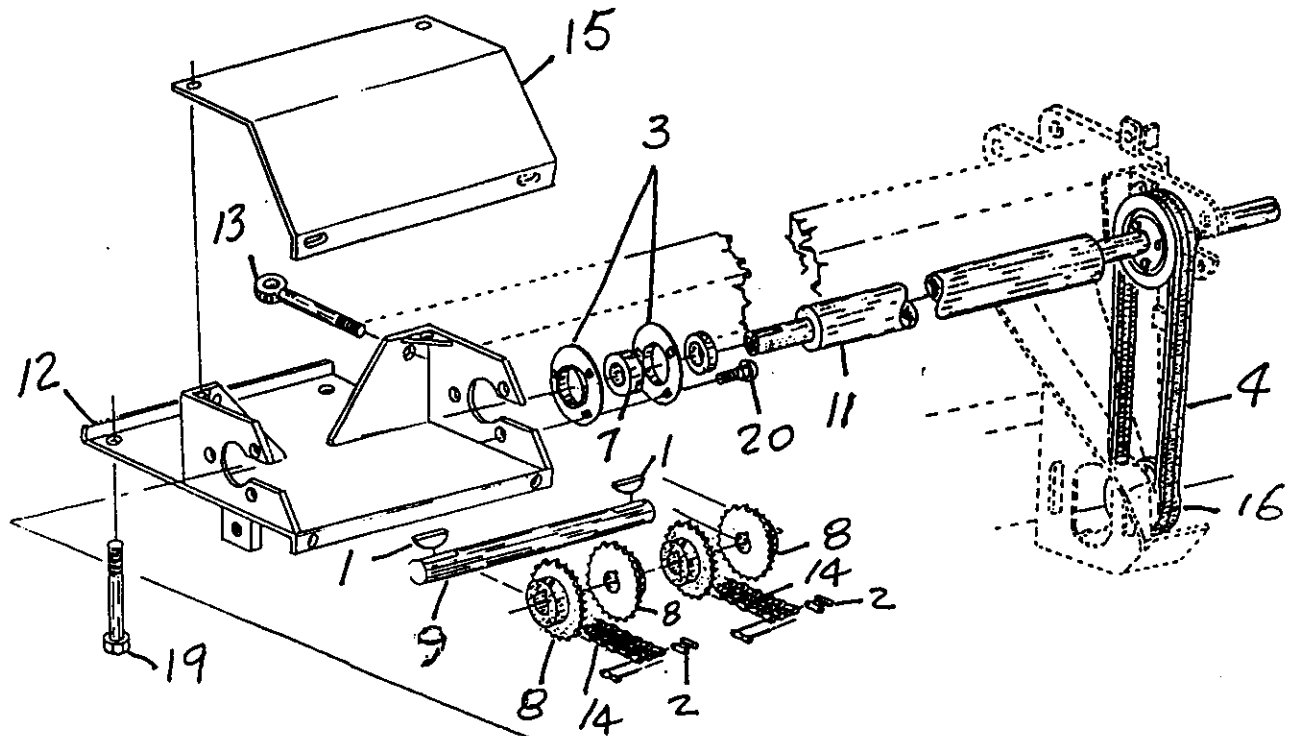
**SPECIFIC MODEL PARTS
KIT NO. R14704 AND R14705
CASE/IHC 5000**



SPECIFIC MODEL PARTS
KIT NO. R14704 AND R14705
CASE/IHC 5000

<u>KEY</u>	<u>PART #</u>	<u>DESCRIPTION</u>	<u>QTY</u>
1	D10240	FLANGE, 62MM	4
2	R14288	KEY 1/4 X 2-3/4" PRIOR TO S/N G006393	2
	R14664	KEY 1/4 X 3 S/N G006393 AND UP	2
3	R14439	BELT, POLY CHAIN	1
4	R14440	SPROCKET, 40 TOOTH POLY CHAIN	2
5	R14441	BUSHING, 1-1/4" BORE X 1/4 KEYWAY	2
6	R14451	BEARING, CARTRIDGE W/COLLAR - 1-1/4"	2
7	R14677	SHAFT, DRIVE - 12 FT LH SERIAL NO. G006393 & LATER	1
	R14474	SHAFT, DRIVE - 12 FT LH PRIOR TO SERIAL NO. G006393	
	R14529	SHAFT, DRIVE - 13.5 FT LH SERIAL NO. G006393 & LATER	1
	R14529	SHAFT, DRIVE - 13.5 FT LH PRIOR TO SERIAL NO. G006393	
8	R14484	BOLT, EYE - 1/2-13 UNC X 6	4
9	R14493	ANGLE	2
10	R14545	SHIELD, VERTICAL END	2
11	R14558	TEE-BOL T	2
12	R14583	JACKSHAFT, IHC 5000 - 1.3.5 FT	1
	R14590	JACK SHAFT. IHC 5000 - 12 FT	1
13	R14591	MOUNT, BEARING - INSIDE, IHC 5000	1
14	R14592	MOUNT, BEARING- OUTSIDE. IHC 5000	1
15	R14593	BRACKET, JACKSHAFT - IHC 5000	1
16	R14594	SHIELD, JACK SHAFT - 13.5 FT	1
	R14596	SHIELD, JACK SHAFT - 12 FT	
17	R14595	STUD, SHIELD MOUNT	2
18	R14597	BOLT, ADJUST ABLE STOP - FULL THREAD	2
19	X2A0500650	CAP SCREW, 1/2-13 UNC X 6-1/2"	4
20	X2AOS00701	SCREW, TAKEUP -1/2-13 UNC X 7 FULL THREAD	4
21	X2C050	NUT, 1/2-13 UNC HEX	8

**SPECIFIC MODEL PARTS
KIT NO. R14704 AND R14705
CASE/IHC 5000**



**SPECIFIC MODEL PARTS
KIT NO. R14704 AND R14705**

CASE/IHC 5000

<u>KEY#</u>	<u>PART #</u>	<u>DESCRIPTION</u>	<u>QUANTITY</u>
1	X3H808	WOODRUFF KEY, 8081/4" X 1" B1821	3
2	B5338	CONNECTOR LINK, 50-2	2
3	D10240	FLANGE, BEARING - 62 MM	4
4	G10186	V-BELT, 450 LENGTH	3
5	R14439	BELT, POLY CHAIN GT - 39.13 PL	1
6	R14440	SPROCKET, 7.02 P.O. - 38 TOOTH	2
7	R14451	BEARING CARTRIDGE, 1-1/4" W/C	2
8	R14463	SPROCKET, COUPLER HALF	2
9	R14473	SHAFT, CONNECTOR CASE/HESSTON HYDRAULIC	1
10	R14677	SHAFT, DRIVE - LH 12 FT SERIAL NO. G006393 & LATER	1
	R14474	SHAFT, DRIVE - LH 12 FT PRIOR TO SERIAL NO. G006393	
	R14658	SHAFT, DRIVE - LH 13.5 FT SERIAL NO. G006393 & LATER	1
	R14529	SHAFT, DRIVE - LH 13.5 FT PRIOR TO SERIAL NO. G006393	
11	R14659	SHAFT, DRIVE - RH 12 FT SERIAL NO. G006393 & LATER	1
	R14475	SHAFT, DRIVE - RH 12 FT PRIOR TO SERIAL NO. G006393	
	R14661	SHAFT, DRIVE - RH 13.5 FT SERIAL NO. G006393 & LATER	1
	R 14530	SHAFT, DRIVE - RH 13.5 FT PRIOR TO SERIAL NO. G006393	
12	R14476	MOUNT, GEARBOX	1
13	R14484	BOLT, EYE -1/2-13 UNC X 6	2
14	R14507	COUPLER, CHAIN RC50/2 X 20 PITCHES (INCLUDES B5338)	2
15	R14557	SHIELD, SHAFT CONNECTOR	1
16	R14598	SHEAVE, 3V/4.12 TL	1
17	R14602	JOURNAL LIFT ARM - IHC 5000 LH	1
18	R14603	JOURNAL, LIFT ARM - IHC 5000 RH	1
19	X2A0500650	1/2-13 UNC X 6-1/2 CAPSCREW	2
20	X280370100	3/8-16 UNC X 1 CARRIAGE	6