

J.E. LOVE COMPANY

LOVE®

309 W. CALIFORNIA STREET
P.O. BOX 188
GARFIELD, WASHINGTON 99130-0188
(509) 635-1321 FAX: (509) 635-1434
www.jeloveco.com

CG 100 SERIES

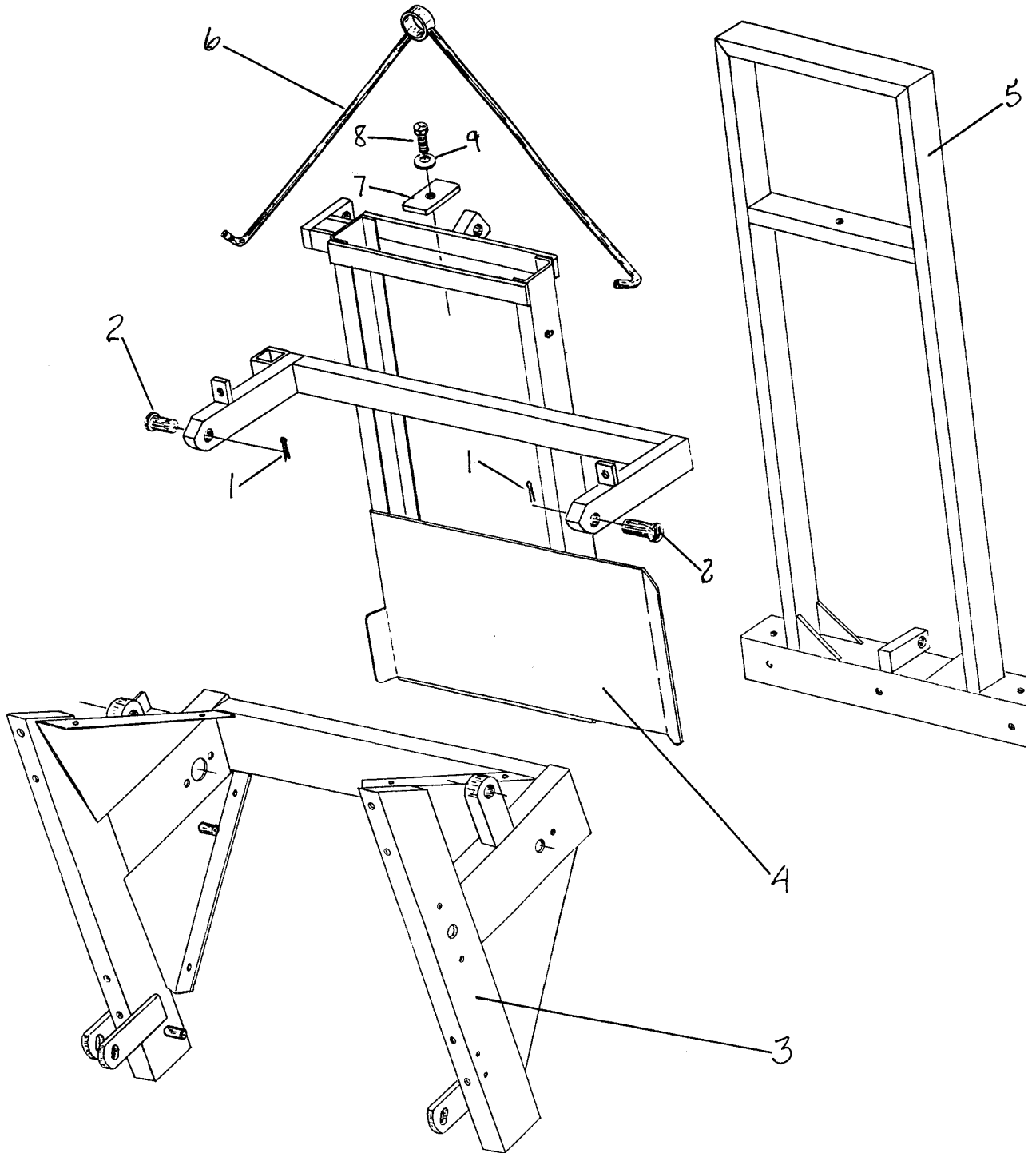
CONCORD GRAPE PRE-PRUNER

SECTION ONE

COMMON PARTS ILLUSTRATIONS AND LISTING

MK – 1
MOD – 0

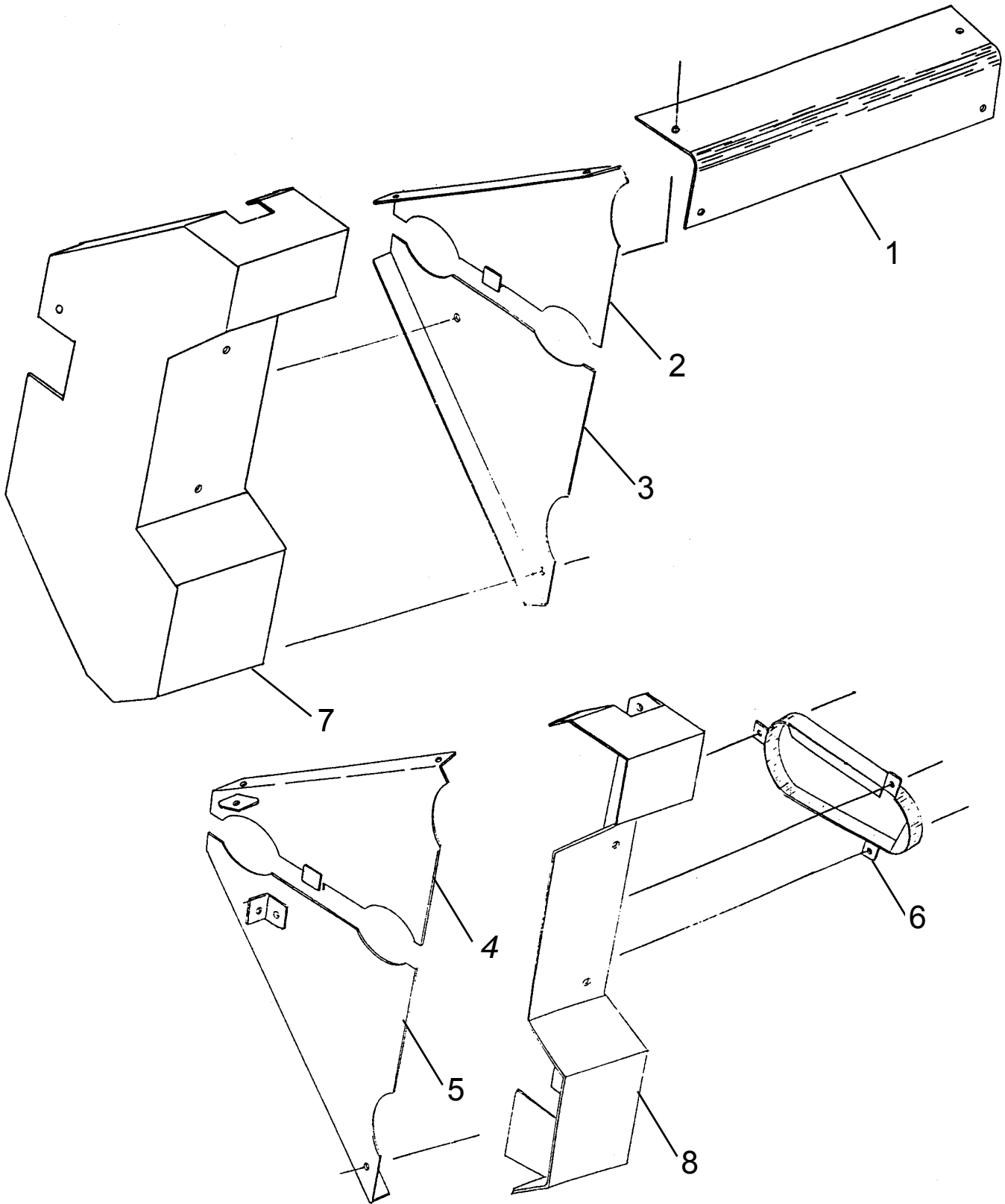
PRIMARY FRAMES – VP1001, VP1002, AND VP1003



PRIMARY FRAMES – VP1001, VP1002, AND VP1003

<u>KEY</u>	<u>PART NUMBER</u>	<u>DESCRIPTION</u>	<u>QTY USED</u>
1	X3A18-150	COTTER PIN, 3/16 X 1-1/2	2
2	VP0014	PIVOT PIN	2
3	VP1001	TRIMMER FRAME	1
4	VP1002	LIFT FRAME	1
5	VP1003	SUPPORT FRAME	1
6	VP1013	LIFT HOOK	1
7	VP1014	SHIPPING/STORAGE BLOCK	1
8	X2A0500200	CAP SCREW, 1/2-13 UNC X 2"	1
9	X3B050	LOCK WASHER. 1/2	1
	X3C050	FLAT WSHER, 1/2	

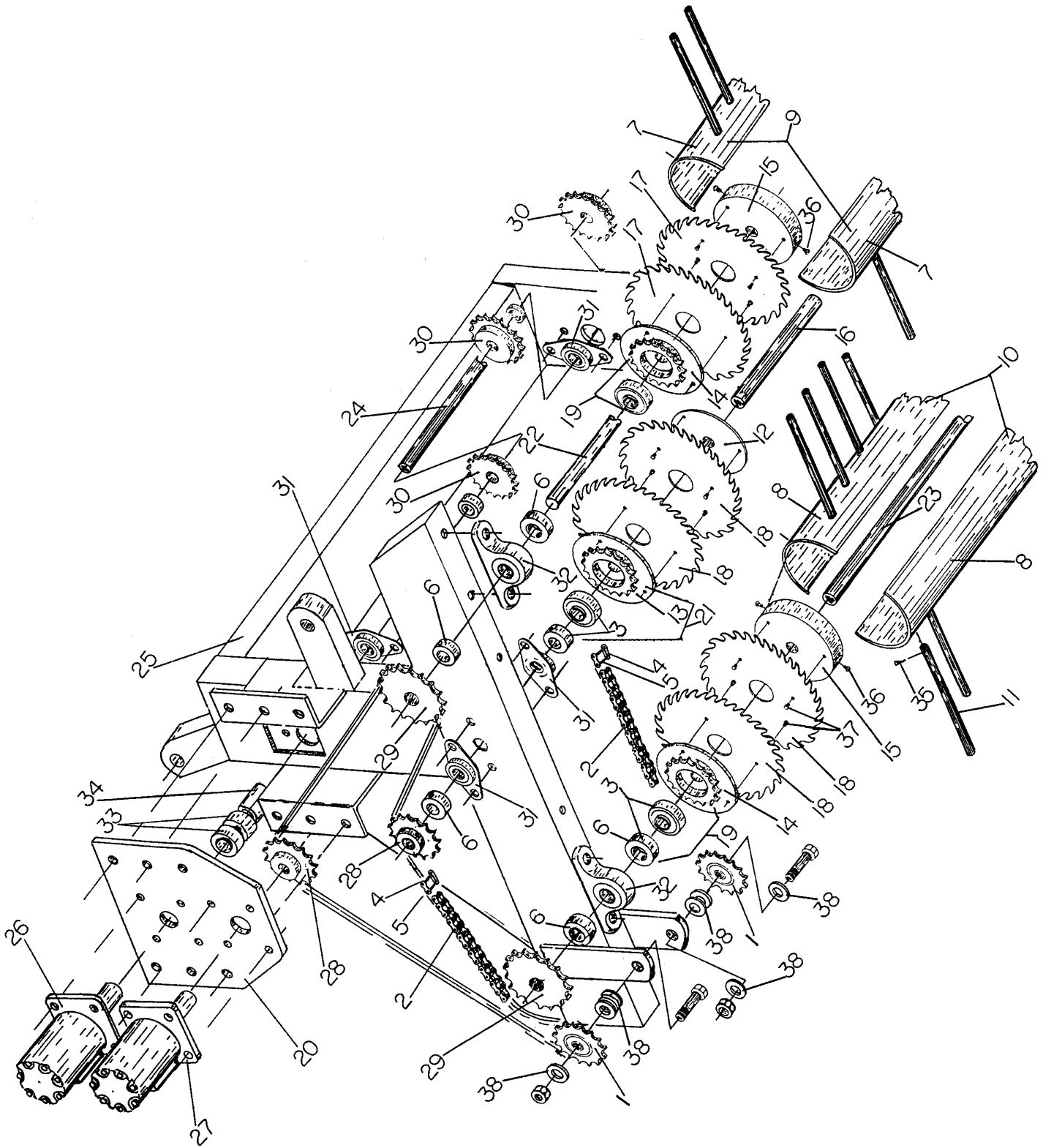
SHIELDS



SHIELDS

<u>KEY</u>	<u>PART NUMBER</u>	<u>DESCRIPTION</u>	<u>QTY USED</u>
1	VP0041	SHIELD	1
2	VP0042	INNER SHIELD, TRAILING – UPPER	1
3	VP0043	INNER SHIELD, TRAILING – LOWER	1
4	VP0044	INNER SHIELD, LEADING – UPPER	1
5	VP0045	INNER SHIELD, LEADING – LOWER	1
6	VP1007	GEAR COVER	1
7	VP1008	SHIELD, OUTER - TRAILING	1
8	VP1009	SHIELD, OUTER - LEADING	1

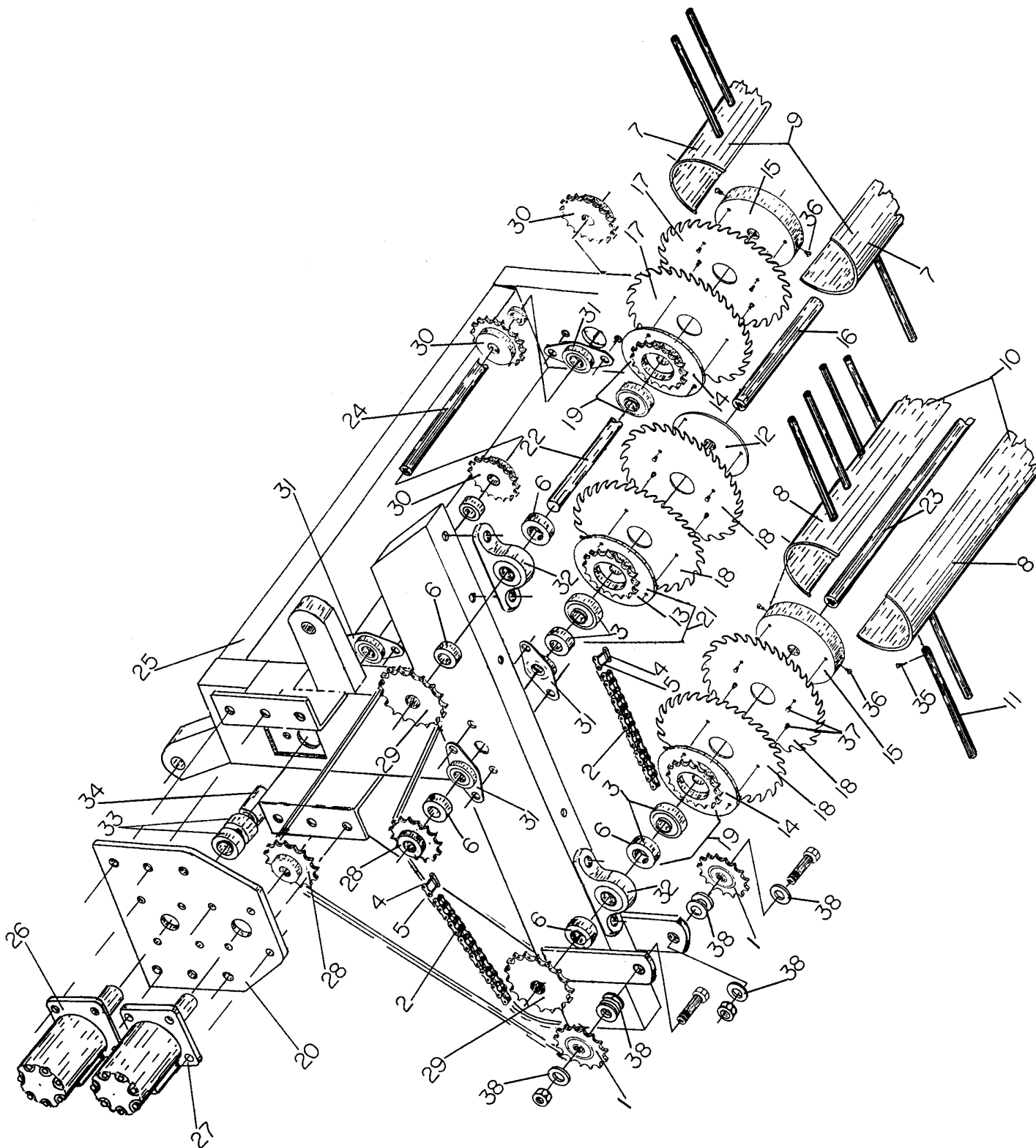
MECHANICAL DRIVE COMPONENTS



MECHANICAL DRIVE COMPONENTS

<u>KEY</u>	<u>PART NUMBER</u>	<u>DESCRIPTION</u>	<u>QTY USED</u>
1	A1506	IDLER SPROCKET, #50 X 17 TOOTH	2
2	A1671	RC RO RIVETED ROLLER CHAIN, 10 FT BOX	SERVICE
3	A20306	BEARING, CYLINDRICAL O.D. X 1" BORE W/LOCKING COLLAR	
4	B1815	CONNECTOR LINK, RC50	3
5	B1816	OFFSET LINK, RC 50	3
6	R10346	LOCKING COLLAR, 1" (INCLUDED WITH BEARINGS)	
7	VP0018	HALF – 6 FINGER ROLL	
8	VP0019	HALF – 7 FINGER ROLL	
9	VP0021	FINGER DRUM ASSEMBLY, 6 FINGER UPPER	1
10	VP0022	FINGER DRUM ASSEMBLY, 7 FINGER LOWER	1
11	VP0029	FINGER, ½" DIA. X 5.5"	4
	VP0030	FINGER, ½" DIA. X 6"	2
	VP0031	FINGER, ½" DIA. X 8.5"	2
	VP0032	FINGER, ½" DIA. X 10.25"	2
	VP0033	FINGER, ½" DIA. X 9.5"	2
	VP0034	FINGER, ½" DIA. X 10"	4
12	VP0046	BLADE MOUNT WITH HUB AND KEYWAY	2
13	VP0047	BLADE MOUNT, 17 TOOTH SPKT & BEARING BORE	2
14	VP0048	BLADE MOUNT, 16 TOOTH SPKT & BEARING BORE	4
15	VP0049	BLADE MOUNT – HUB AND RING	4
16	VP0050	IDLER SHAFT, 1" DIA X 8.75"	2
17	VP0051	SAW BLADE, LH	
18	VP0052	SAW BLADE, RH	
19	VP0053	ASSEMBLY, BLADE MOUNT 16 TOOTH SPKT WITH BEARING	
20	VP0054	MOTOR PLATE	1
21	VP0055	ASSEMBLY, BLADE MOUNT 17 TOOTH SPKT WITH BEARING	
22	VP0060	DRIVE SHAFT, 1" DIA. X 32"	1
23	VP0061	DRIVE SHAFT, 1" DIA. X 34"	1
24	VP0062	DRIVE SHAFT, 1" DIA. X 30-5/8"	1
25	VP1001	TRIMMER FRAME	1
26	VPH- 7	HYDRAULIC MOTOR – 4.5 C.I.D.	1
27	VPH- 8	HYDRAULIC MOTOR – 5.9 C.I.D.	1

MECHANICAL DRIVE COMPONENTS, CONTINUED:



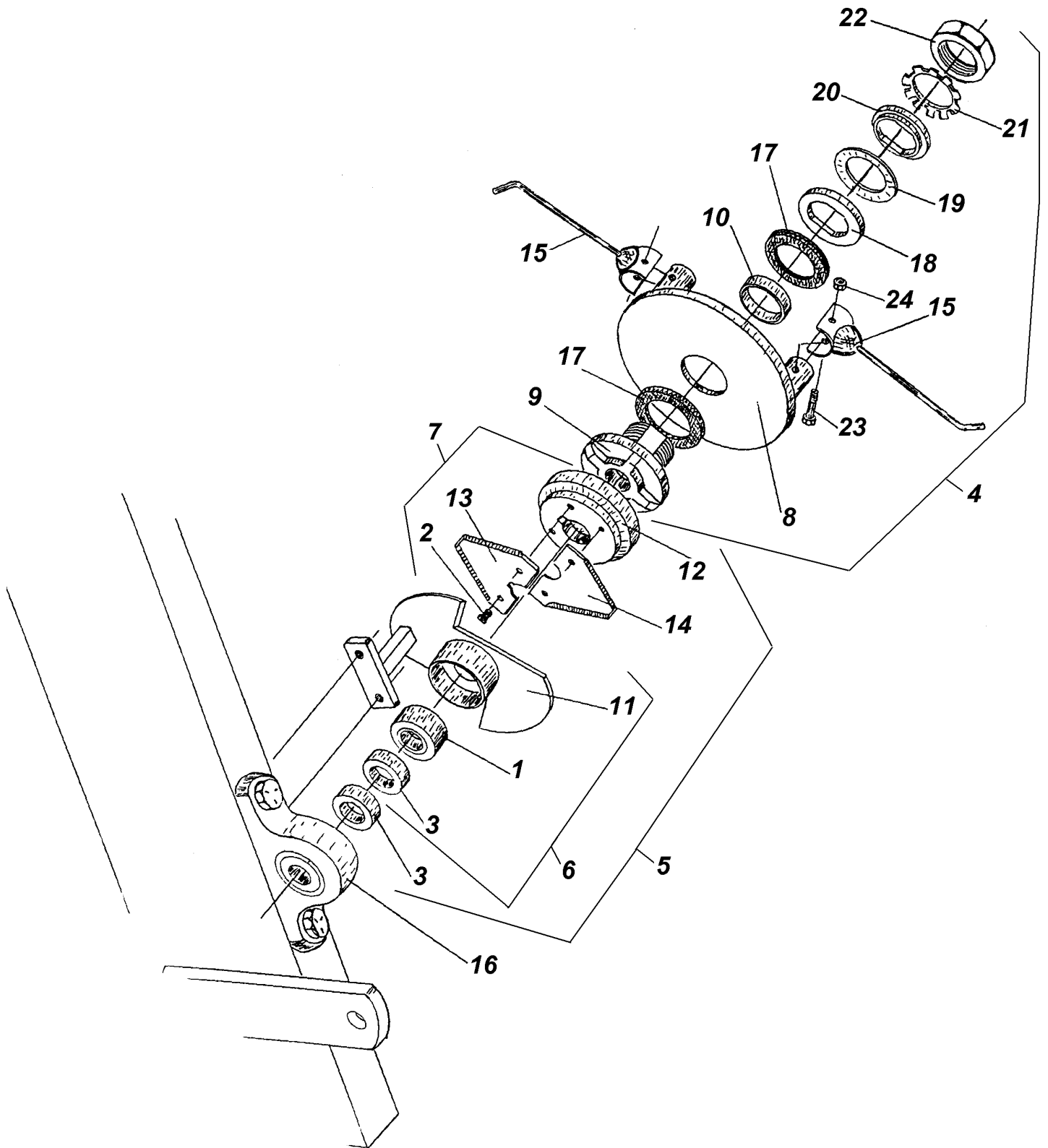
MECHANICAL DRIVE COMPONENTS, CONTINUED:

28	VPT- 5	SPROCKET, 50B16 X 1" BORE W/KEYWAY	3
29	VPT- 6	SPROCKET, 50B20 X 1" BORE W/KEYWAY	2
30	VPT- 7	SPROCKET, 50B22 X 1" BORE W/KEYWAY	3
31	VPT- 9	BEARING, 2-BOLT FLANGE, 1" BORE W/LOCKING COLLAR	6
	A20304	BEARING CARTRIDGE, 1" BORE SPHERICAL O.D. W/COLLAR	
	R10346	LOCKING COLLAR, 1" (INCLUDED WITH BEARINGS)	
32	VPT-10	BEARING, PILLOW BLOCK, 1" BORE W/LOCKING COLLAR	4
33	VPT-11	COUPLING HUB	2
34	VPT-12	COUPLING INSERT	1
35	X2K0060062	#6 X 5/8 TAP SCREW (SCREW, FINGER MOUNT)	26
36	X2K0310050	5/16-18 UNC X 1/2 FLAT HEAD MACHINE SCREW (ROLL HALF TO HUB AND RING)	8
37	X2L010037	#10-32 X 3/8 FLAT SOCKET HEAD SCREW (BLADE MOUNT)	36
38	X3C062	5/8 FLAT WASHER	(AR)

**MECHANICAL DRIVE COMPONENTS
LEADING END**

<u>KEY</u>	<u>PART NUMBER</u>	<u>DESCRIPTION</u>	<u>QTY USED</u>
1	A1506	IDLER SPROCKET, #50 X 17 TOOTH	2
2	A1671	RC RO RIVETED ROLLER CHAIN, 10 FT BOX	SERVICE
3	B1815	CONNECTOR LINK, RC50	3
	B1816	OFFSET LINK, RC 50	3
4	R10346	LOCKING COLLAR, 1" (INCLUDED WITH BEARINGS)	
5	VP0003	FRONT PICKER ASSEMBLY	1
6	VP0021	FINGER DRUM ASSEMBLY, 6 FINGER UPPER	1
7	VP0022	FINGER DRUM ASSEMBLY, 7 FINGER LOWER	1
8	VP0029	FINGER, ½" DIA. X 5.5"	4
	VP0030	FINGER, ½" DIA. X 6"	2
	VP0031	FINGER, ½" DIA. X 8.5"	2
	VP0032	FINGER, ½" DIA. X 10.25"	2
	VP0033	FINGER, ½" DIA. X 9.5"	2
	VP0034	FINGER, ½" DIA. X 10"	4
9	VP0046	BLADE MOUNT WITH HUB AND KEYWAY	2
10	VP0049	BLADE MOUNT – HUB AND RING	4
11	VP0050	IDLER SHAFT, 1" DIA X 8.75"	2
12	VP0051	SAW BLADE, LH	
13	VP0052	SAW BLADE, RH	
14	VP0053	ASSEMBLY, BLADE MOUNT 16 TOOTH SPKT WITH BEARING	2
	VP0048	BLADE MOUNT, 16 TOOTH SPKT	4
15	VP0055	ASSEMBLY, BLADE MOUNT 17 TOOTH SPKT WITH BEARING	1
	VP0047	BLADE MOUNT, 17 TOOTH SPKT	2
16	VP0060	DRIVE SHAFT, 1" DIA. X 32"	1
17	VP0061	DRIVE SHAFT, 1" DIA. X 34"	1
18	VP0062	DRIVE SHAFT, 1" DIA. X 30-5/8"	1
19	VP1001	TRIMMER FRAME	1
20	VPT- 5	SPROCKET, 50B16 X 1" BORE W/KEYWAY	1
21	VPT- 5	SPROCKET, 50B22 X 1" BORE W/KEYWAY	1
22	VPT- 9	BEARING, 2-BOLT FLANGE, 1" BORE W/LOCKING COLLAR	6
23	VPT-10	BEARING, PILLOW BLOCK, 1" BORE W/LOCKING COLLAR	4
24	X2A0620250	CAP SCREW, 5/8-11 UNC X 2-1/2"	1
25	X2K0060062	#6 X 5/8 TAP SCREW (SCREW, FINGER MOUNT)	26
26	X2K0310050	5/16-18 UNC X ½ FLAT HEAD MACHINE SCREW	8

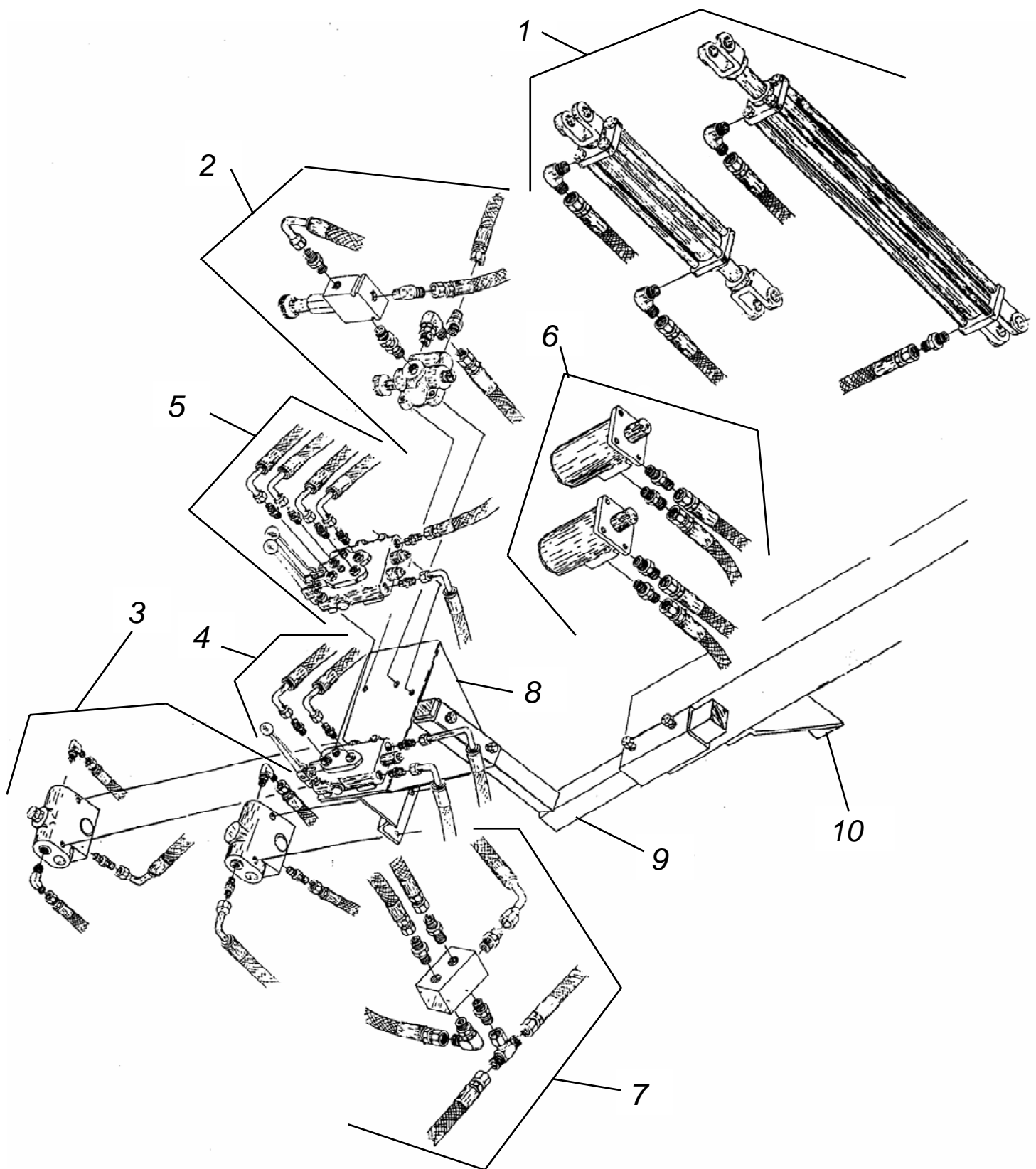
FRONT PICKER ASSEMBLY – VP0003



FRONT PICKER ASSEMBLY – VP0003

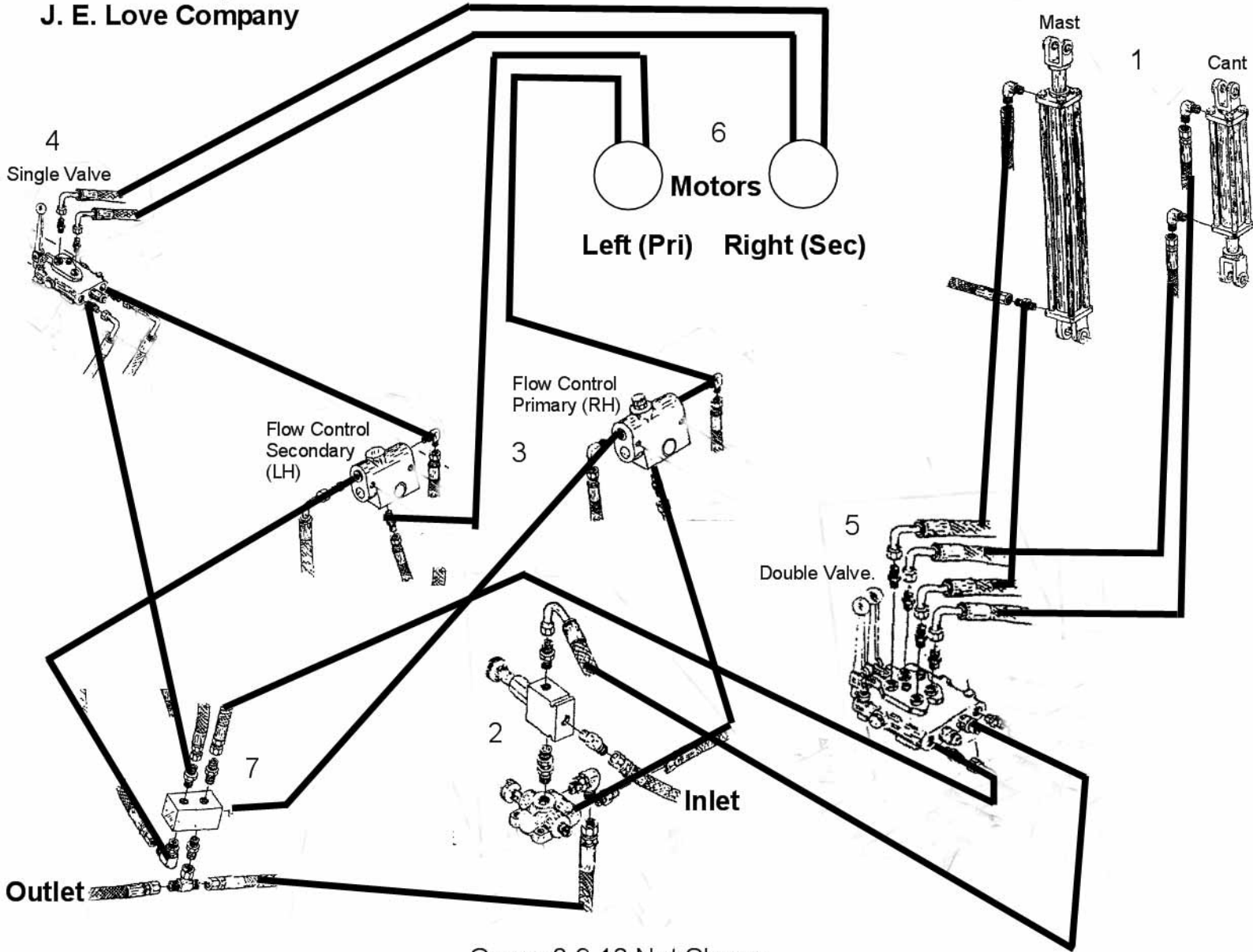
<u>KEY</u>	<u>PART NUMBER</u>	<u>DESCRIPTION</u>	<u>QTY USED</u>
1	A20306	BEARING, CYLINDRICAL O.D. – 1" BORE W/COLLAR	2
2	L4063	FASTENER, #10-24 FLAT SOCKET HEAD	4
3	R10346	ECCENTRIC LOCKING COLLAR, 1" (INCLUDED WITH BEARING(S))	
4	VP0003	FRONT PICKER ASSEMBLY 1 – VP0007 1 – VPT-17 1 – VP0008 1 – VPT-18 1 – VP0009 1 – VPT-19 2 – VP0016 1 – VPT-20 2 – VPT-15 2 – X2A0310250 1 – VPT-16 2 – X2E031-NF2	1
5	VP0004	SHAFT VINE CUTTER ASSEMBLY 1 – VP0005 1 – VP0006	1
6	VP0005	SHEAR BLADE & BEARING ASSEMBLY 1 – VP0010 1 – A20306	1
7	VP0006	CUTTER AND HUB ASSEMBLY 1 – VP0011 1 – VP0012 1 – VP0013 4 – L4063	1
8	VP0007	PICKER WHEEL	1
9	VP0008	TORQUE LIMITER HUB	1
10	VP0009	BUSHING, TORQUE HUB	1
11	VP0010	SHEAR BLADE	1
12	VP0011	CUTTER HUB	1
13	VP0012	CUTTER KNIFE – WITH KEYWAY	1
14	VP0013	CUTTER KNIFE – W/O KEYWAY	1
15	VP0016	PICKER TINE	2
16	VPT-10	PILLOW BLOCK BEARING, 1" BORE W/ COLLAR	4
17	VPT-15	FRICITION DISC	2
18	VPT-16	PRESSURE PLATE	1
19	VPT-17	DISK SPRING	1
20	VPT-18	PILOT PLATE	1
21	VPT-19	LOCK WASHER	1
22	VPT-20	SINGLE HEX NUT	1
23	X2A0310250	CAP SCREW, 5/16-18 UNC X 2-1/2"	2
24	X2E031-NF2	LOCK NUT, 5/16-18 UNC SIDE LOCK	2

VINE PRUNER HYDRAULICS – GROUP IDENTIFICATIONS



VINE PRUNER HYDRAULICS – GROUP IDENTIFICATIONS

Vine Pruner Hydraulic Schematic J. E. Love Company



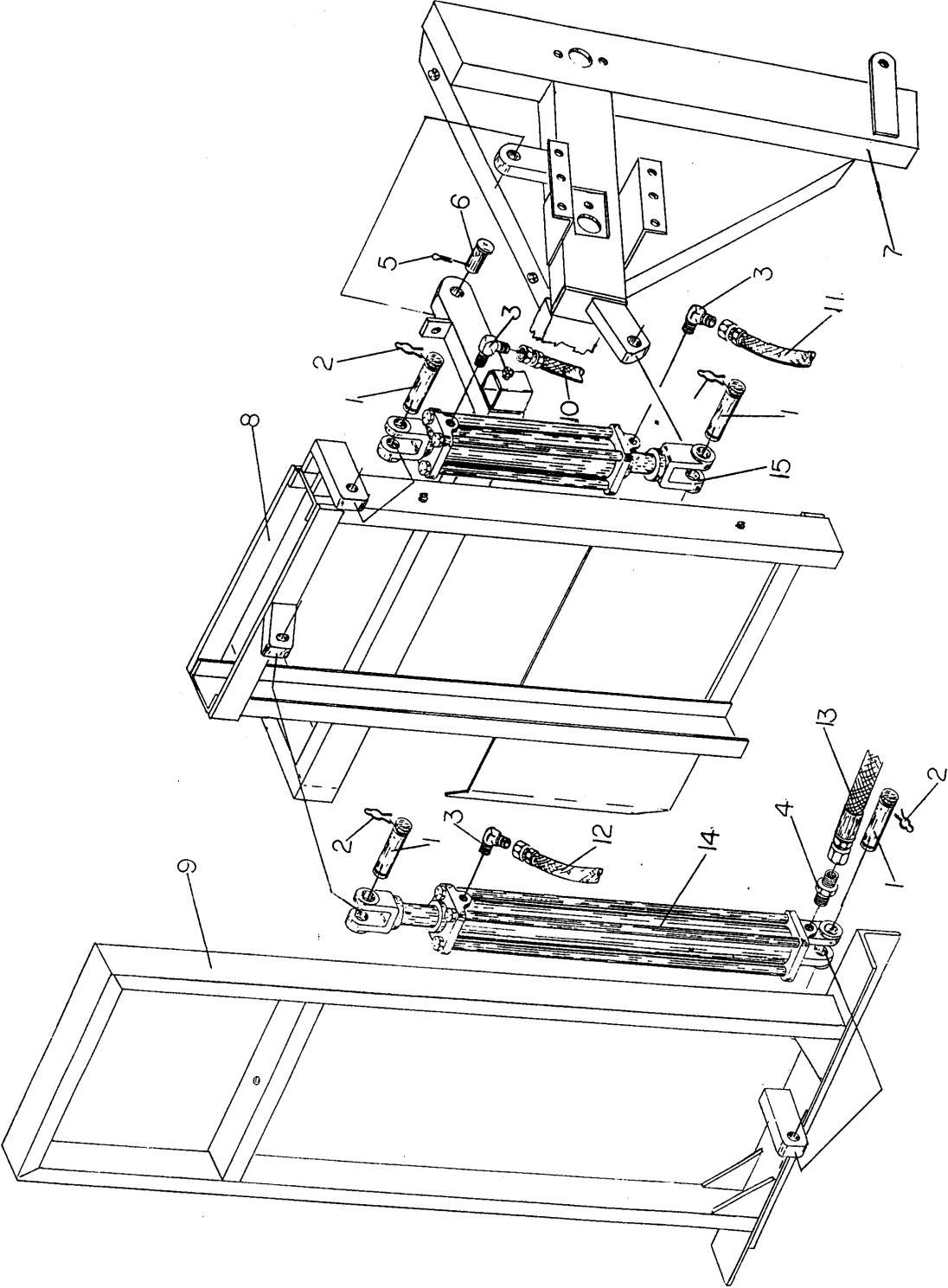
Group 8,9,10 Not Shown

MD-11/02/06

VINE PRUNER HYDRAULICS – GROUP IDENTIFICATIONS

<u>KEY</u>	<u>SEE PAGE</u>	<u>PART NUMBER</u>	<u>DESCRIPTION</u>
1	1 – 17		FRAMES AND HYDRAULIC CYLINDERS
2	1 – 19		INLET – PRIORITY VALVE AND SELECTOR VALVE
3	1 – 21		FLOW CONTROL VALVES
4	1 – 23		SINGLE SPOOL DIRECTIONAL VALVE
5	1 – 25		DUAL SPOOL DIRECTIONAL VALVE
6	1 – 27		HYDRAULIC MOTORS
7	1 – 29		RETURN – MANIFOLD AND TEE
8		VP1005	VALVE MOUNTING PLATE
9		VP1006	MOUNTING ARM, CONTROL ASSEMBLY
10			SIDE MOUNTING FRAME – SEE SPECIFIC MODELS, SECTION 2

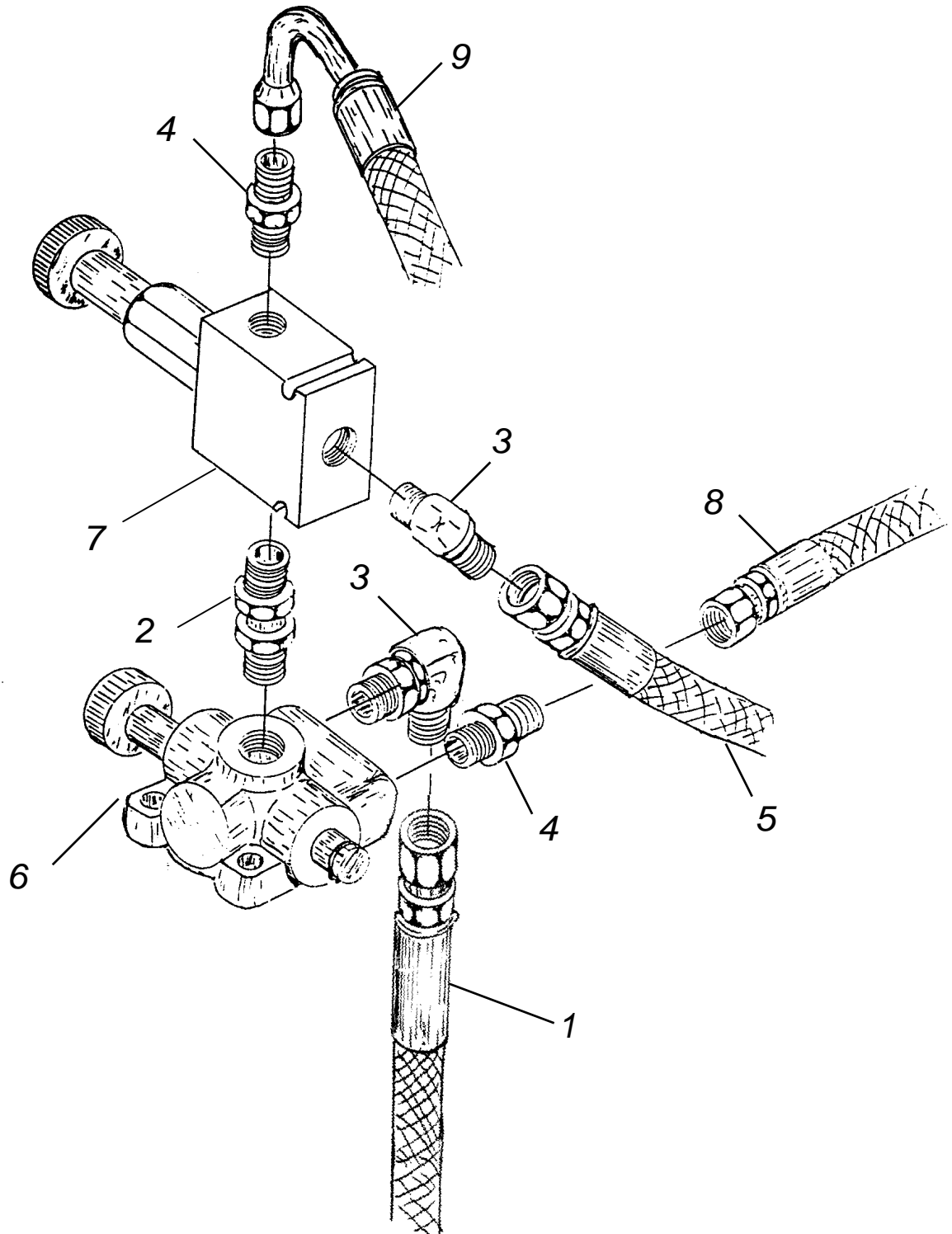
FRAMES AND HYDRAULIC CYLINDERS



FRAMES AND HYDRAULIC CYLINDERS

<u>KEY</u>	<u>PART NUMBER</u>	<u>DESCRIPTION</u>	<u>QTY USED</u>
1	B1508	CYLINDER PIN, 1" (INCLUDED WITH CYLINDER)	(4)
2	B1852	HAIR PIN CLIP (INCLUDED WITH CYLINDER)	(8)
3	FPJ0E9SS060600	90 DEG MALE ELBOW, 3/8 NPTM X #6 MJIC	3
4	FPJ0S0SS060600	MALE CONNECTOR, 3/8 NPTM X #6 MJIC	1
5	X3A18-150	COTTER KEY, 3/16 X 1-1/2"	2
6	VP0014	PIVOT PIN	2
7	VP1001	TRIMMER FRAME	1
8	VP1002	LIFT FRAME	1
9	VP1003	SUPPORT FRAME	1
10	VPH—21	HOSE ASSEMBLY, 3/8 X 67" O.A.L.	1
11	VPH—22	HOSE ASSEMBLY, 3/8 X 58" O.A.L.	1
12	VPH—23	HOSE ASSEMBLY, 3/8 X 69" O.A.L.	1
13	VPH—24	HOSE ASSEMBLY, 3/8 X 50" O.A.L.	1
14	VPH—26	HYDRAULIC CYLINDER – LIFT [2" X 18" STROKE]	1
15	VPH—27	HYDRAULIC CYLINDER – SWING [2" X 6" STROKE]	1

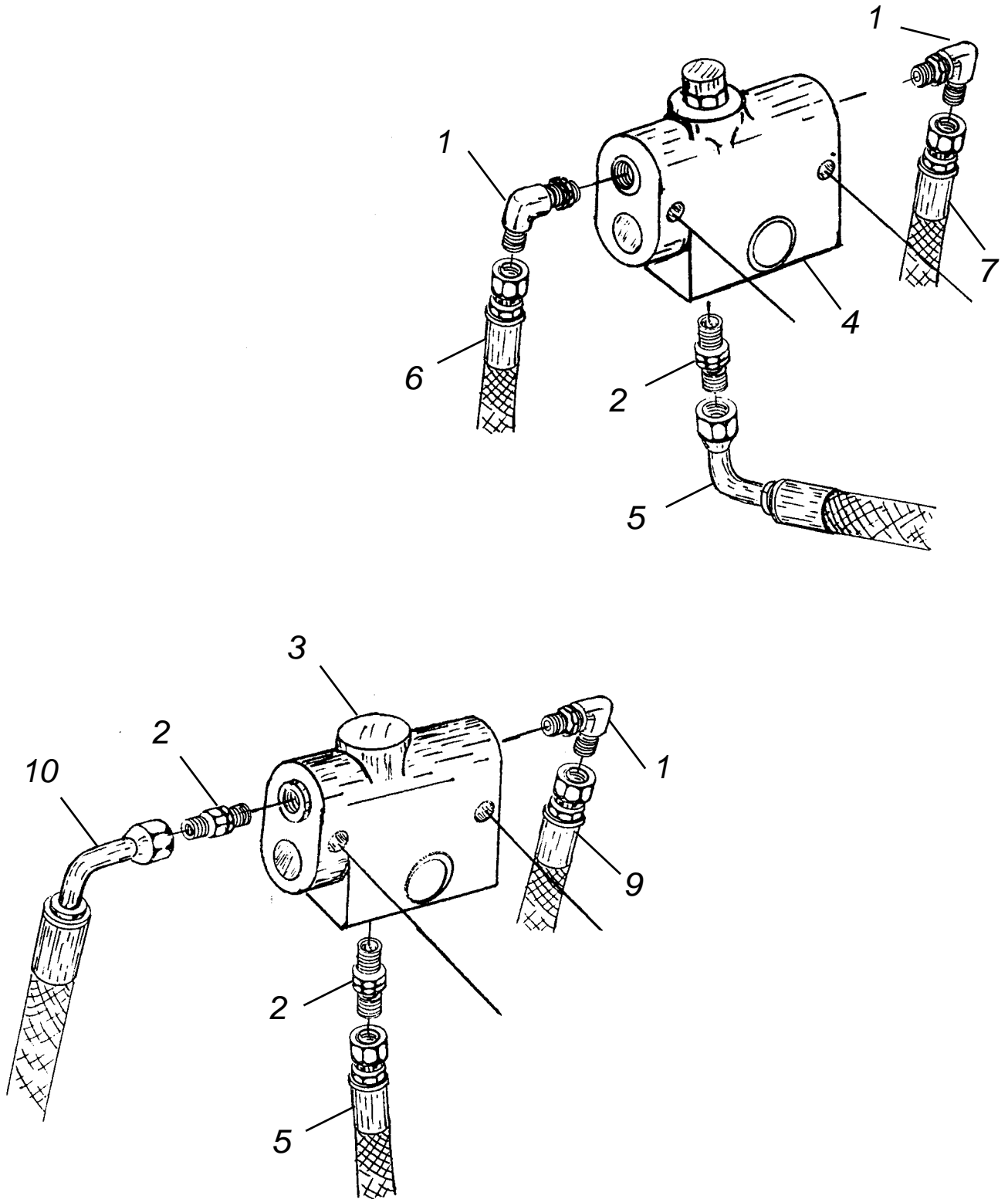
VINE PRUNER HYDRAULICS INLET, PRIORITY VALVE, SELECTOR VALVE



**VINE PRUNER HYDRAULICS
INLET, PRIORITY VALVE, SELECTOR VALVE**

<u>KEY</u>	<u>PART NUMBER</u>	<u>DESCRIPTION</u>	<u>QTY USED</u>
1	B5316	HOSE ASSEMBLY, 1/2" X 22" OAL – #8 FJIC X #8 FJIC – <i>TO MANIFOLD, RETURN</i>	1
2	FBB0S0SS080800	STRAIGHT THREAD O-RING CONNECTOR, #8 MORB X #8 MORB	1
3	FBJ0E9SS080800	STRAIGHT THREAD O-RING 90 DEG ELBOW, #8 MORB X #8 MJIC	2
4	FBJ0S0SS080800	STRAIGHT THREAD O-RING CONNECTOR, #8 MORB X #8 MJIC	2
5	VPH- 2	HOSE ASSEMBLY, 1/2" X 84" – <i>FROM TRACTOR SUPPLY, INLET</i>	1
6	VPH- 3	SELECTOR VALVE	1
7	VPH- 4	PRIORITY FLOW REGULATOR, ADJUSTABLE	1
8	VPH-11	HOSE ASSEMBLY, 1/2" X 22" OAL – #8 SAE 37 DEG 90 DEG ELBOW X #8 FJIC – <i>TO VPH-6, INLET</i>	1
9	VPH-20	HOSE ASSEMBLY, 3/8" X 22" OAL – #8 SAE 37 SW 90 DEG ELBOW X #8 MJIC – <i>TO DUAL SPOOL DIRECTIONAL VALVE, INLET</i>	1

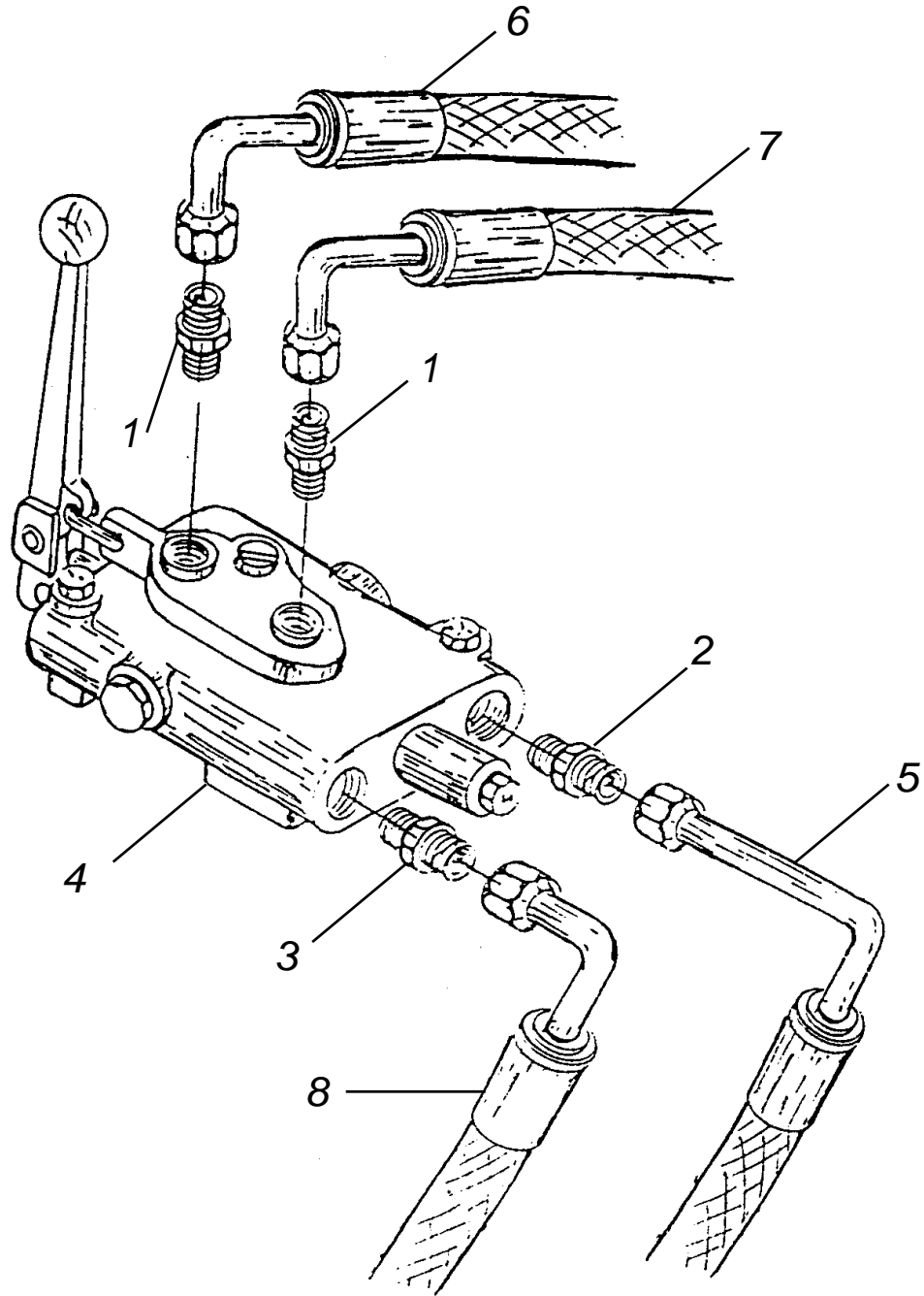
VINE PRUNER HYDRAULICS FLOW CONTROL VALVES



**VINE PRUNER HYDRAULICS
FLOW CONTROL VALVES**

<u>KEY</u>	<u>PART NUMBER</u>	<u>DESCRIPTION</u>	<u>QTY USED</u>
1	FBJ0E9SS100800	STRAIGHT THREAD O-RING ELBOW, #10 MORB X #8 MJIC	
2	FBJ0S0SS100800	STRAIGHT THREAD CONNECTOR, #10 MORB X #8 MJIC – <u>INLET TO VPH-5 FLOW CONTROL VALVE WITHOUT RELIEF</u>	
3	VPH- 5	FLOW CONTROL VALVE W/OUT RELIEF	1
4	VPH- 6	FLOW CONTROL VALVE WITH RELIEF	1
5	VPH-11	HOSE ASSEMBLY, 1/2" X 22" OAL – #8 SAE 37 SW 90 DEG ELBOW X #8 FJIC – FROM VPH-3 SELECTOR VALVE, PORT AWAY FROM KNOB – <u>INLET TO VPH-6 FLOW CONTROL VALVE</u>	1
6	VPH-12	HOSE ASSEMBLY, 1/2" X 12" OAL – #8 FJIC X #8 SW 90 DEG LONG DROP ELBOW – FROM VPH-6 <u>EXHAUST FLOW PORT TO F10101 MANIFOLD RETURN</u>	1
7	VPH-13	HOSE ASSEMBLY, 3/8" X 49" OAL – #8 FJIC X #8 FJIC – FROM VPH-6 <u>CONTROLLED FLOW PORT TO HYDRAULIC MOTOR VPH-7, LH (FACING SHAFT) -- <u>INLET</u></u>	1
8	VPH-14	HOSE ASSEMBLY, 3/8" X 47" OAL – #8 FJIC X #8 FJIC – FROM VPH-7 HYDRAULIC MOTOR RH (FACING SHAFT) – <u>OUTLET TO VPH-5 FLOW CONTROL INLET</u>	1
9	VPH-15	HOSE ASSEMBLY, 3/8" X 20" OAL – #8 FJIC X #6 SW 90 DEG LONG DROP ELBOW – FROM VPH-5 <u>CONTROLLED FLOW PORT TO SINGLE SPOOL DIRECTIONAL VALVE VPH-9</u>	1
10	VPH-18	HOSE ASSEMBLY, 1/2" X 10" OAL – #8 FJIC X #6 SW 90 DEG LONG DROP ELBOW – FROM VPH-5 <u>EXHAUST FLOW PORT TO F10101 MANIFOLD RETURN</u>	1

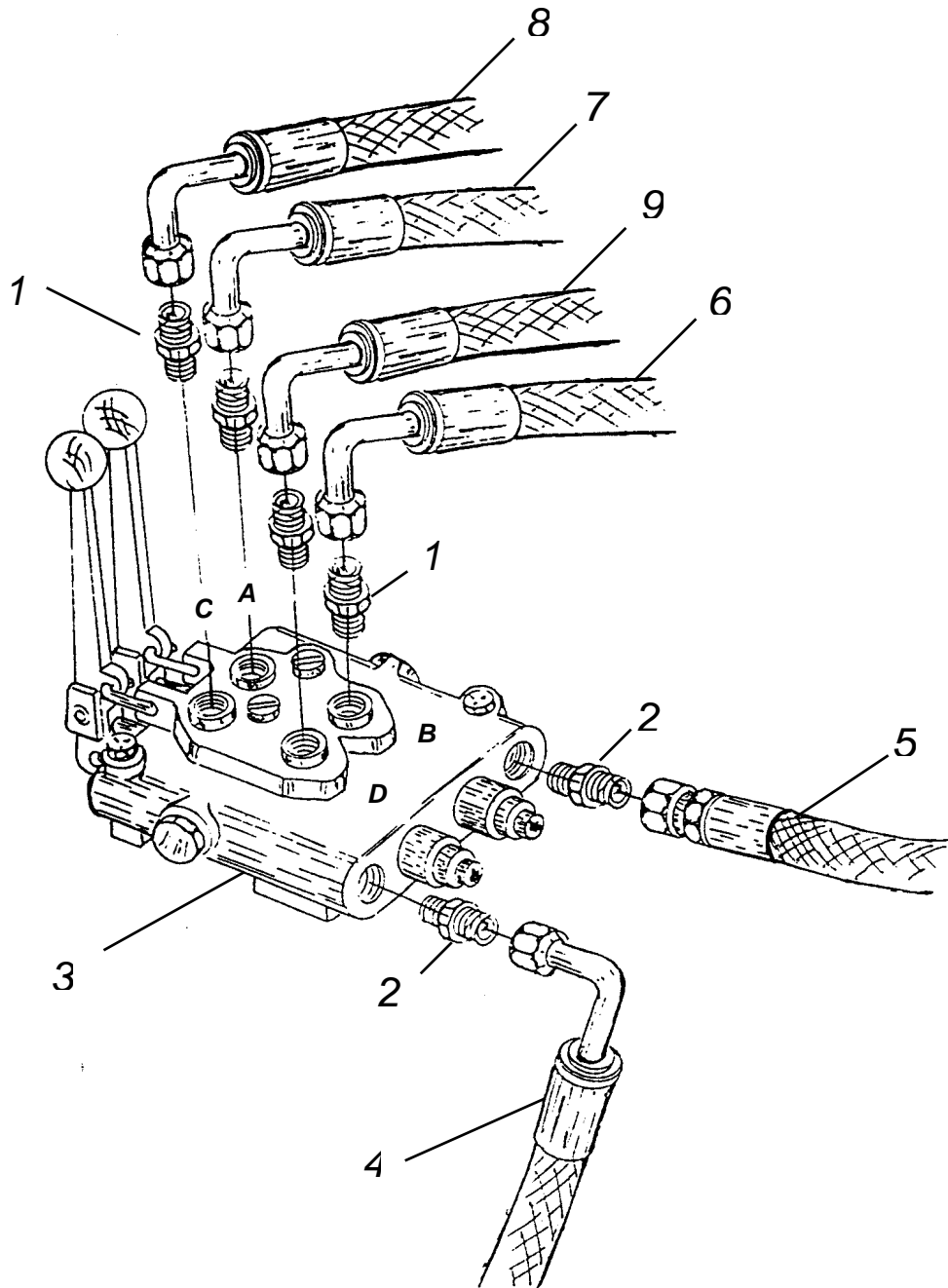
VINE PRUNER HYDRAULICS SINGLE SPOOL DIRECTIONAL CONTROL VALVE



**VINE PRUNER HYDRAULICS
SINGLE SPOOL DIRECTIONAL CONTROL VALVE**

<u>KEY</u>	<u>PART NUMBER</u>	<u>DESCRIPTION</u>	<u>QTY USED</u>
1	FBJ0S0SS060600	STRAIGHT THREAD O-RING CONNECTOR, #6 MJIC X #6 MORB	2
2	FBJ0S0SS080600	STRAIGHT THREAD O-RING CONNECTOR, #6 MJIC X #8 MORB	1
3	FBJ0S0SS080800	STRAIGHT THREAD O-RING CONNECTOR, #8 MJIC X #8 MORB	1
4	VPH- 9	SINGLE SPOOL DIRECTIONAL CONTROL VALVE	1
5	VPH-15	HOSE ASSEMBLY, 3/8" X 20" – #8 FJIC X #6 SW 90 DEG LONG FROP ELBOW – <u>INLET FROM VPH5</u> <u>FLOW CONTROL CONTROLLED FLOW</u>	1
6	VPH-16	HOSE ASSEMBLY, 3/8" X 54" – #8 FJIC X #6 SW 90 DEG LONG FROP ELBOW – <u>PORT TOWARD</u> <u>HANDLE TO/FROM VPH-8 HYDRAULIC MOTOR INLET</u>	1
7	VPH-17	HOSE ASSEMBLY, 3/8" X 52" – #8 FJIC X #6 SAE 37 SW 90 DEG ELBOW – <u>PORT AWAY FROM</u> <u>HANDLE TO/FROM VPH-8 HYDRAULIC MOTOR OUTLET</u>	1
8	VPH-18	HOSE ASSEMBLY, 1/2" X 10" – #8 SAE 37 SW 90 DEG ELBOW X #8 FJIC – <u>OUTLET TO F10101</u> <u>MANIFOLD</u>	1

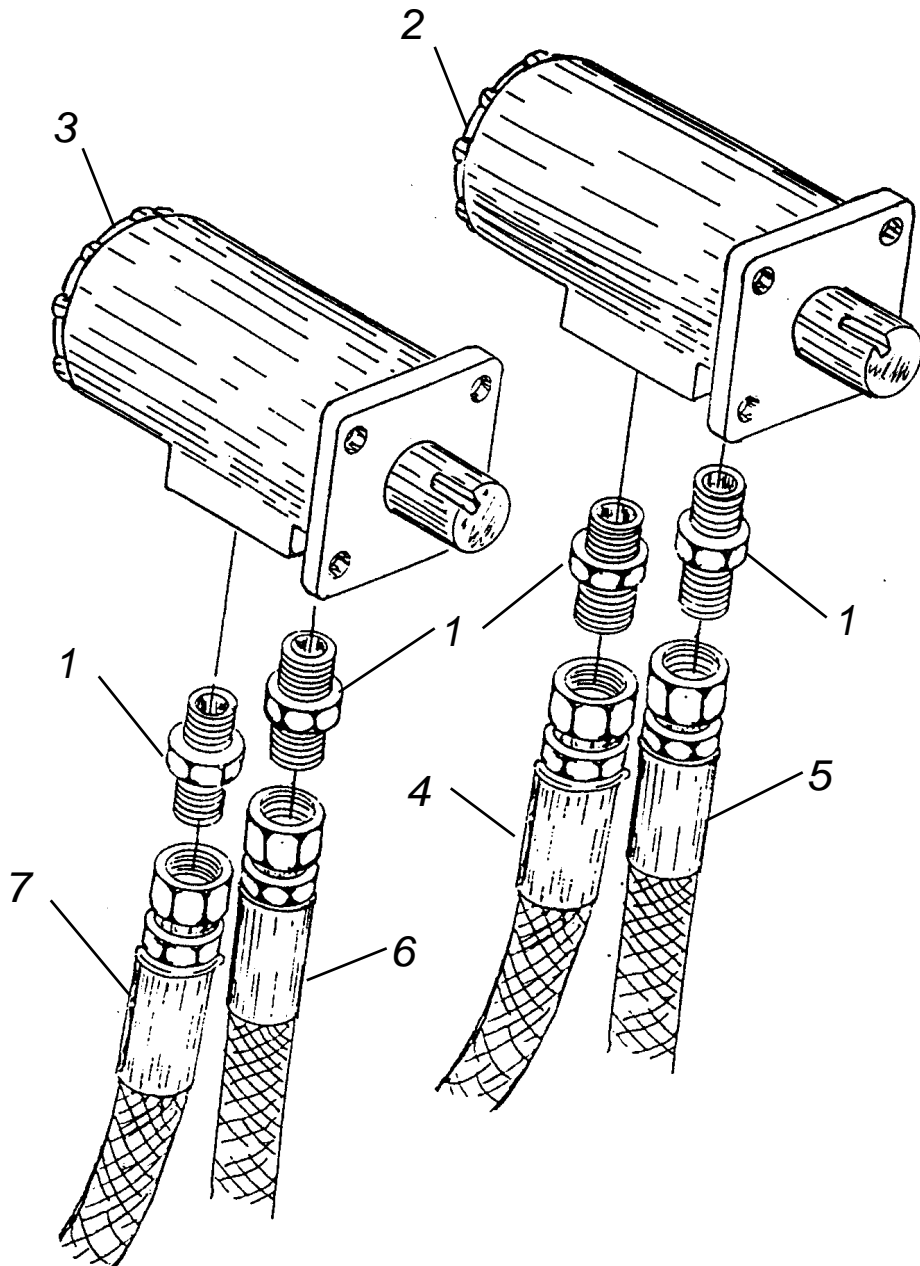
VINE PRUNER HYDRAULICS DUAL SPOOL DIRECTIONAL CONTROL VALVE



**VINE PRUNER HYDRAULICS
DUAL SPOOL DIRECTIONAL CONTROL VALVE**

<u>KEY</u>	<u>PART NUMBER</u>	<u>DESCRIPTION</u>	<u>QTY USED</u>
1	FBJ0S0SS060600	STRAIGHT THREAD O-RING CONNECTOR, #6 MJIC X #6 MORB	4
2	FBJ0S0SS080800	STRAIGHT THREAD O-RING CONNECTOR, #8 MJIC X #8 MORB	2
3	VPH-10	DUAL SPOOL DIRECTIONAL CONTROL VALVE	1
4	VPH-18	HOSE ASSEMBLY, 1/2" X 10" OAL – #8 SAE 37 SW 90 DEG ELBOW X #8 FJIC – <u>OUTLET TO F10101 MANIFOLD</u>	1
5	VPH-20	HOSE ASSEMBLY, 3/8" X 22" OAL – #8 SAE 37 SW 90 DEG ELBOW X #8 FJIC – <u>INLET FROM PRIORITY FLOW REGULATOR VPH-4, CONTROLLED FLOW</u>	1
6	VPH-21	HOSE ASSEMBLY, 3/8" X 67" OAL – #6 FJIC X #6 SAE 37 SW 90 DEG ELBOW – "B" PORT <i>FROM VPH26 SWING CYLINDER, BUTT END</i>	1
7	VPH-22	HOSE ASSEMBLY, 3/8" X 58" OAL – #6 FJIC X #6 SAE 37 SW 90 DEG ELBOW – "A" PORT <i>TO VPH26 SWING CYLINDER, ROD END</i>	1
8	VPH-23	HOSE ASSEMBLY, 3/8" X 69" OAL – #6 FJIC X #6 SAE 37 SW 90 DEG ELBOW – "A" PORT <i>TO VPH27 LIFT CYLINDER, ROD END</i>	1
9	VPH-24	HOSE ASSEMBLY, 3/8" X 50" OAL – #6 FJIC X #6 SAE 37 SW 90 DEG ELBOW – "A" PORT <i>FROM VPH27 SWING CYLINDER, BUTT END</i>	1

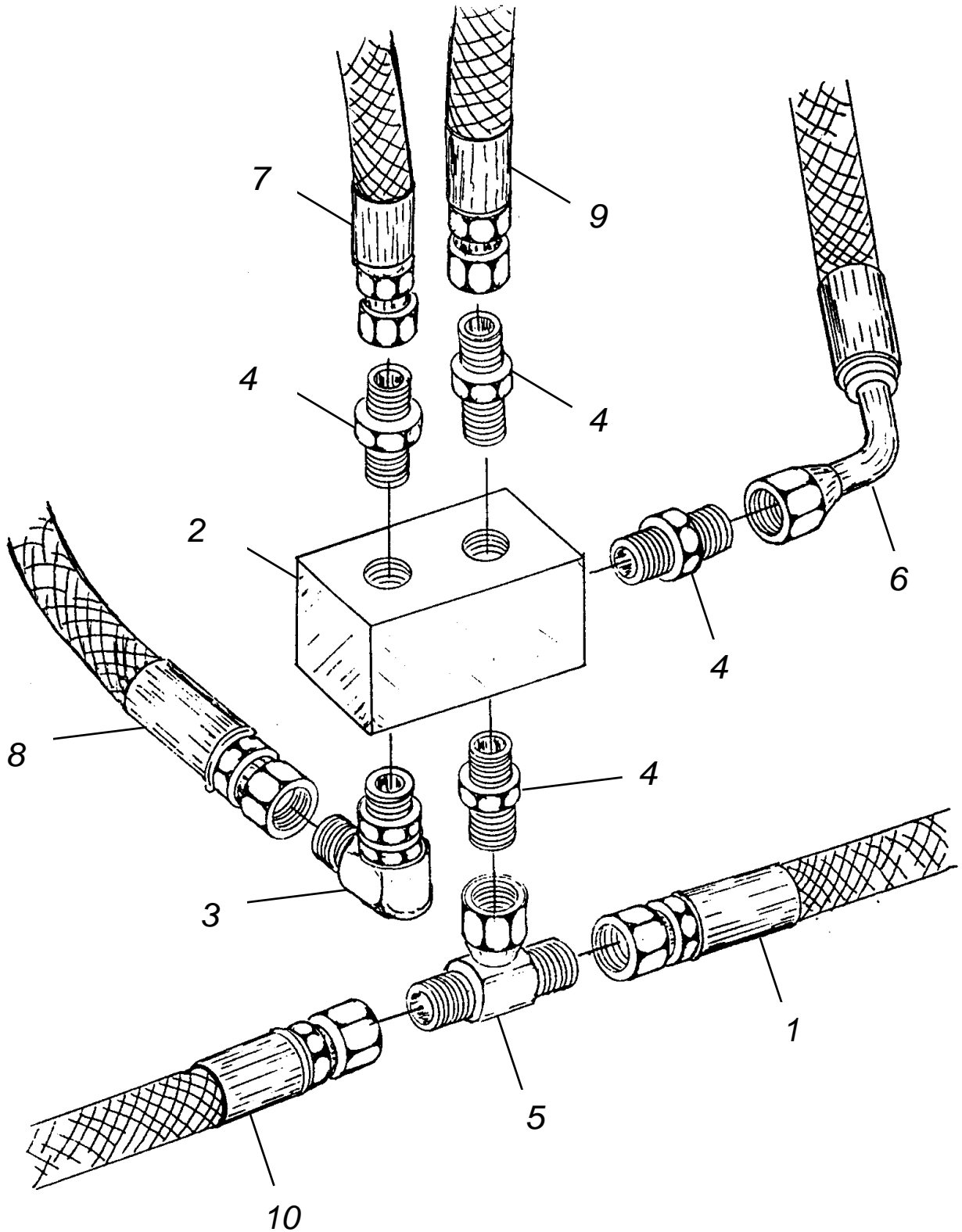
VINE PRUNER HYDRAULICS HYDRAULIC MOTORS



**VINE PRUNER HYDRAULICS
HYDRAULIC MOTORS**

<u>KEY</u>	<u>PART NUMBER</u>	<u>DESCRIPTION</u>	<u>QTY USED</u>
1	FBJ0S0SS100800	STRAIGHT THREAD O-RING CONNECTOR, #10 MORB X #8 MJIC	4
2	VPH- 7	HYDRAULIC MOTOR, - (RIGHT HAND POSITION – FACING SHAFT END)	1
3	VPH- 8	HYDRAULIC MOTOR, - (LEFT HAND POSITION – FACING SHAFT END))	1
4	VPH-13	HOSE ASSEMBLY, 3/8" X 49" OAL – #8 FJIC X #8 FJIC – FROM VPH-6 <u>CONTROLLED FLOW PORT TO HYDRAULIC MOTOR VPH-7, LH (FACING SHAFT) --INLET</u>	1
5	VPH-14	HOSE ASSEMBLY, 3/8" X 47" OAL – #8 FJIC X #8 FJIC – FROM VPH-7 <u>RH (FACING SHAFT) – OUTLET TO FLOW CONTROL VALVE VPH-5 -- INLET</u>	1
6	VPH-16	HOSE ASSEMBLY, 3/8" X 54" OAL – #8 SAE 37 SW 90 DEG ELBOW X #8 FJIC – <u>TO/FROM VPH-9 SINGLE DIRECTIONAL CONTROL VALVE PORT TOWARD HANDLE TO/FROM HYDRAULIC MOTOR VPH-8 (RH PORT FACING SHAFT)</u>	1
7	VPH-17	HOSE ASSEMBLY, 3/8" X 52" OAL – #8 FJIC X #8 SAE 37 SW 90 DEG ELBOW– <u>TO/FROM VPH-8 HYDRAULIC MOTOR (LH PORT FACING SHAFT) TO/FROM VPH-9 SINGLE SPOOL DIRECTIONAL VALVE PORT AWAY FROM HANDLE</u>	1

VINE PRUNER HYDRAULICS RETURN – MANIFOLD AND TEE



**VINE PRUNER HYDRAULICS
RETURN – MANIFOLD AND TEE**

<u>KEY</u>	<u>PART NUMBER</u>	<u>DESCRIPTION</u>	<u>QTY USED</u>
1	B5316	HOSE ASSEMBLY, 1/2" X 22" OAL – #8 FJIC X #8 FJIC – FROM VPH-3, SELECTOR VALVE – PORT TOWARD KNOB – RETURN	1
2	F10101	MANIFOLD	1
3	FBJ0E9SS080800	STRAIGHT THREAD O-RING ELBOW, #8 MJIC X #8 MORB	1
4	FBJ0S0SS080800	STRAIGHT THREAD O-RING CONNECTOR, #8 MJIC X #8 MORB	4
5	FJHJT0SS080808	SWIVEL NUT BRANCH TEE, #8 JIC	1
6	VPH-12	HOSE ASSEMBLY, 1/2" X 12" OAL – #8 FJIC X #8 SAE 37 SW 90 DEG ELBOW – FROM VPH-6, EXHAUST	1
7	VPH-18	HOSE ASSEMBLY, 1/2" X 10" OAL – #8 SAE 37 SW 90 DEG ELBOW X #8 FJIC – FROM VPH-9, OUTLET	3
8	VPH-18	HOSE ASSEMBLY, 1/2" X 10" OAL – #8 SAE 37 SW 90 DEG ELBOW X #8 FJIC – FROM VPH-5, EXHAUST	
9	VPH-18	HOSE ASSEMBLY, 1/2" X 10" OAL – #8 SAE 37 SW 90 DEG ELBOW X #8 FJIC – FROM VPH-10, OUTLET	
10	VPH-28	HOSE ASSEMBLY, 1/2" X 69" OAL – #8 FJIC X #8 NPTM – TO TRACTOR, RETURN	1
	NOTSHOWN:	(AT TRACTOR END OF HOSE VPH-28)	
	FPP0S0SS080800	HEX NIPPLE, #8 NPTM X #8 NPTM	1
	VPH-35	CHECK VALVE	1